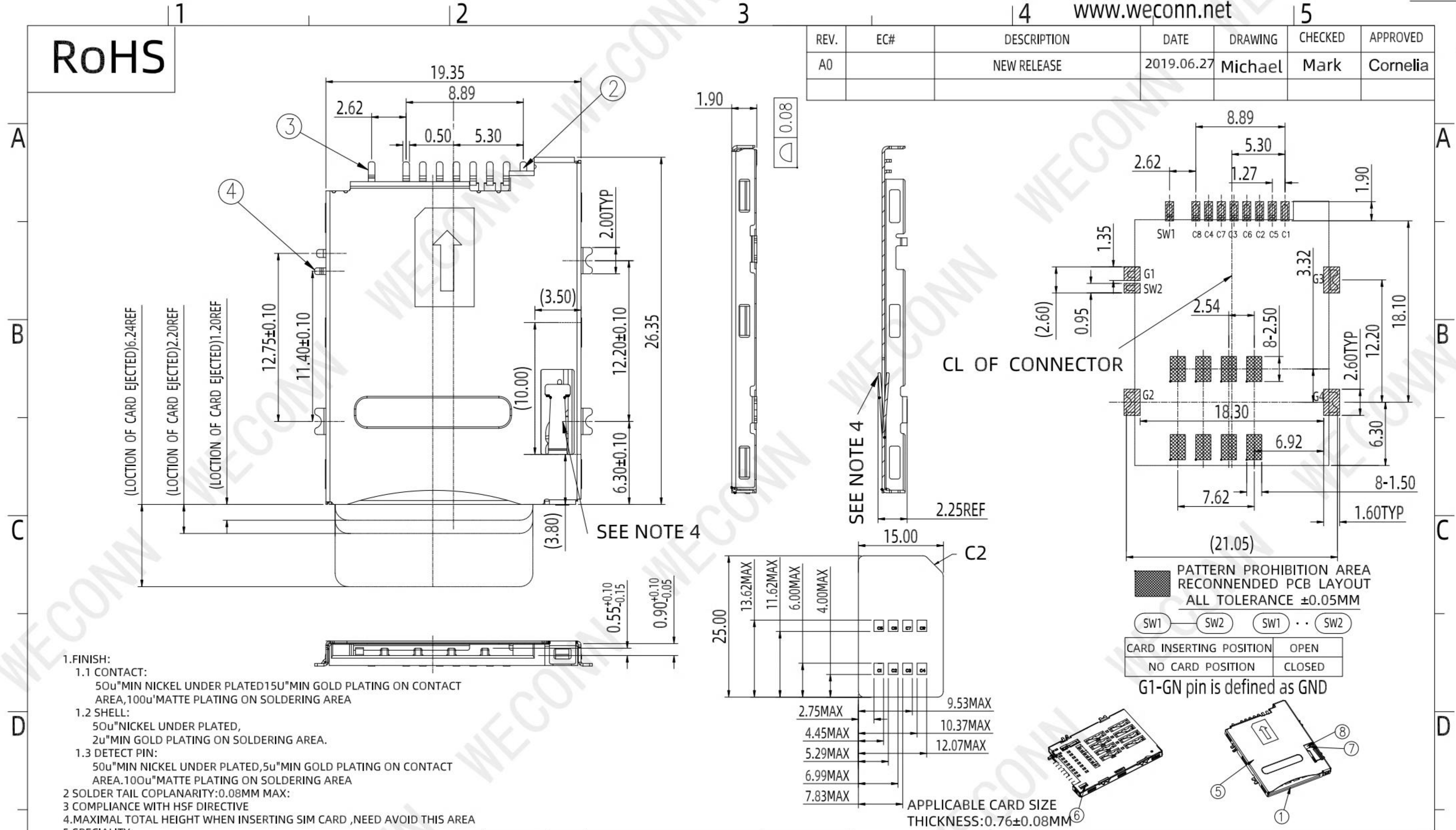


RoHS

REV.	EC#	DESCRIPTION	DATE	DRAWING	CHECKED	APPROVED
A0		NEW RELEASE	2019.06.27	Michael	Mark	Cornelia



- 1.FINISH:
- 1.1 CONTACT: 50u"MIN NICKEL UNDER PLATED 15u"MIN GOLD PLATING ON CONTACT AREA, 100u"MATTE PLATING ON SOLDERING AREA
 - 1.2 SHELL: 50u"MIN NICKEL UNDER PLATED, 2u"MIN GOLD PLATING ON SOLDERING AREA.
 - 1.3 DETECT PIN: 50u"MIN NICKEL UNDER PLATED, 5u"MIN GOLD PLATING ON CONTACT AREA. 100u"MATTE PLATING ON SOLDERING AREA
- 2 SOLDER TAIL COPLANARITY: 0.08MM MAX:
- 3 COMPLIANCE WITH HSF DIRECTIVE
4. MAXIMAL TOTAL HEIGHT WHEN INSERTING SIM CARD ,NEED AVOID THIS AREA
- 5.SPECIALITY:
- 2.1 RATED CURRENT: 0.5A
 - 2.2 RATED VOLTAGE: 12V
 - 2.3 CONTACT RESISTANCE: 50mΩ MAX
 - 2.4 INSULATION RESISTANCE 1000MΩ MIN 500V DC
 - 2.5 DIELECTRIC WITHSTANDING VOLTAGE: 500V AC.
 - 2.6 OPERATING CONDITION: TEMPERATURE -40°C~+85°C; HUMIDITY 80% R.H MAX
- 6.MFTALMASK THICKNFSS 0.10MM MIN

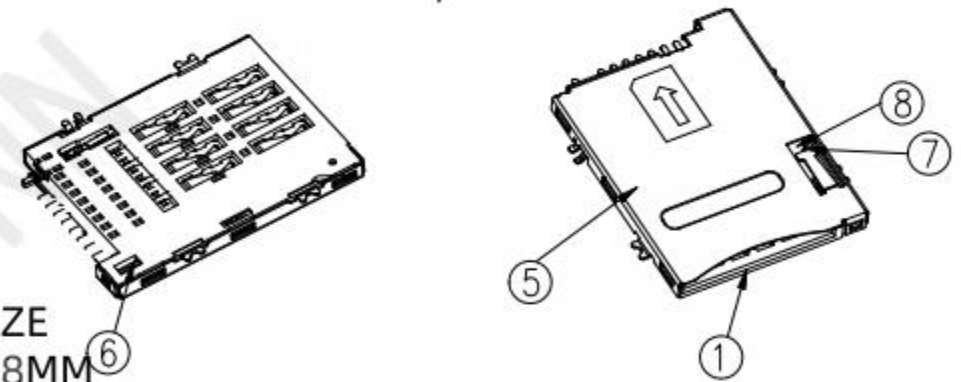
PIN NO.	Description	8	SLIDER	1	THERMOPLASTIC RATING UL94V-0	MILLIMETERS	INCH	UNITS
C1	VCC	7	LINK	1	STAINLESS STEEL	X° ± 2°	X° ± 2°	MM
C2	RST	6	SPRING	1	SWP	.X ± 0.30	.XX ± 0.012	MAT'L
C3	CLK	5	SHELL	1	STAINLESS STEEL	.XX ± 0.20	.XXX ± 0.008	SEE NOTES
C4	RESERVED	4	DETECT PIN2	1	COPPER ALLOY	.XXX ± 0.10	.XXXX ± 0.004	FINISH
C5	GND	3	DETECT PIN1	1	COPPER ALLOY	SEE NOTES		
C6	VPP	2	TERMIRAL	1	COPPER ALLOY	QTY		
C7	I/O	1	HOUSING	1	LCP+50%G.F.U.L94V-0	SEE NOTES		
C8	RESERVED	NO.	DESCRIPTION	Q'TY	Material	THESE DRAWINGS AND PECIFICATION ARE Welink ShenZhen Welink Electronics Co.,Ltd COPIED OR USED IN ANY MANNER WITHOUT Welink ShenZhen Welink Electronics Co.,Ltd		

PATTERN PROHIBITION AREA RECOMMENDED PCB LAYOUT ALL TOLERANCE ±0.05MM

SW1 SW2 SW1 ··· SW2

CARD INSERTING POSITION	OPEN
NO CARD POSITION	CLOSED

G1-GN pin is defined as GND



PLEASE CONTACT WELINK SALES REPRESENTATIVE TO VERIFY PRODUCT DETAILS & AVAILABILITY

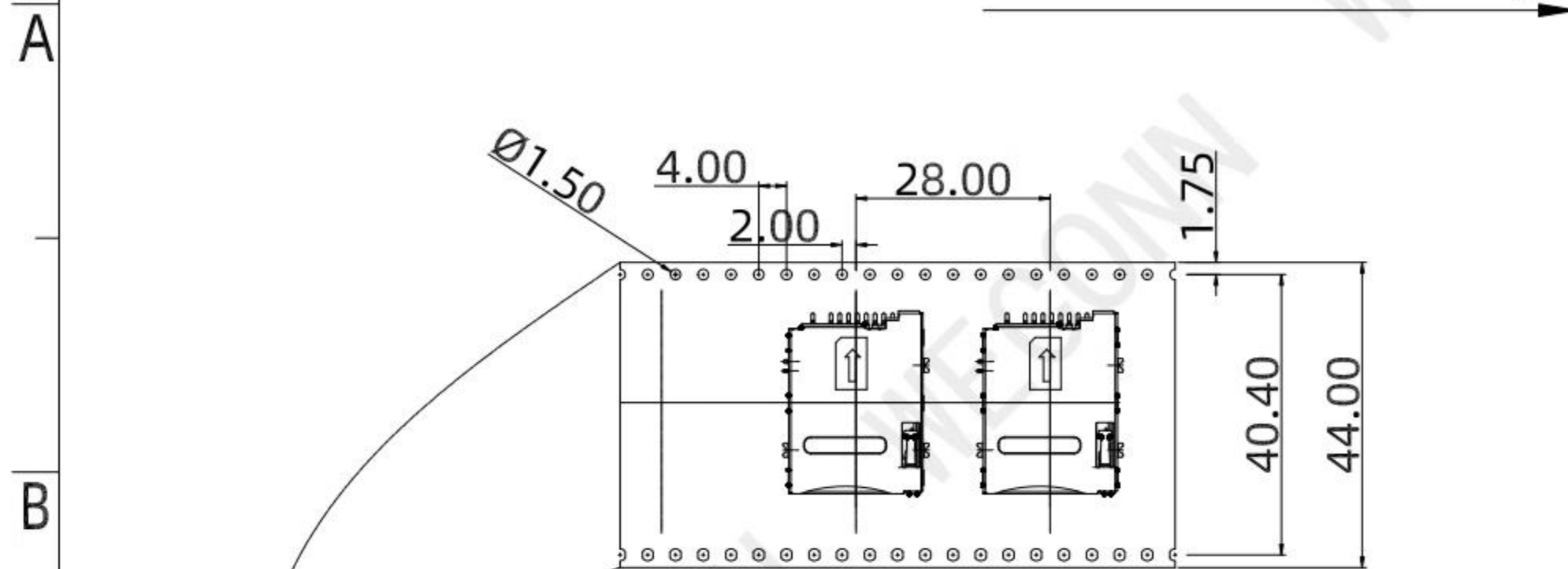
WECONN 深圳市微连电子有限公司		
ShenZhen Welink Electronics Co.,Ltd		
PART NUMBER:	TITLE:	
WL-SIM190-016	SIM卡座 自弹 带开关 四角镀金	
DWG NO.:	APPD:	Cornelia
WL-SIM190-016	CHKD:	Mark
SCALE	SHEET	REV.
1:1	1/2	A1
DR:	Michael	

RoHS

www.weconn.net

REV.	EC#	DESCRIPTION	DATE	DRAWING	CHECKED	APPROVED
A0		NEW RELEASE	2019.06.27	Michael	Mark	Cornelia

User Direction of Unreeling



NOTES

1. NUMBER OF CONNECTORS 500PCS/REEL
2. LEAD TAPE LENGTH

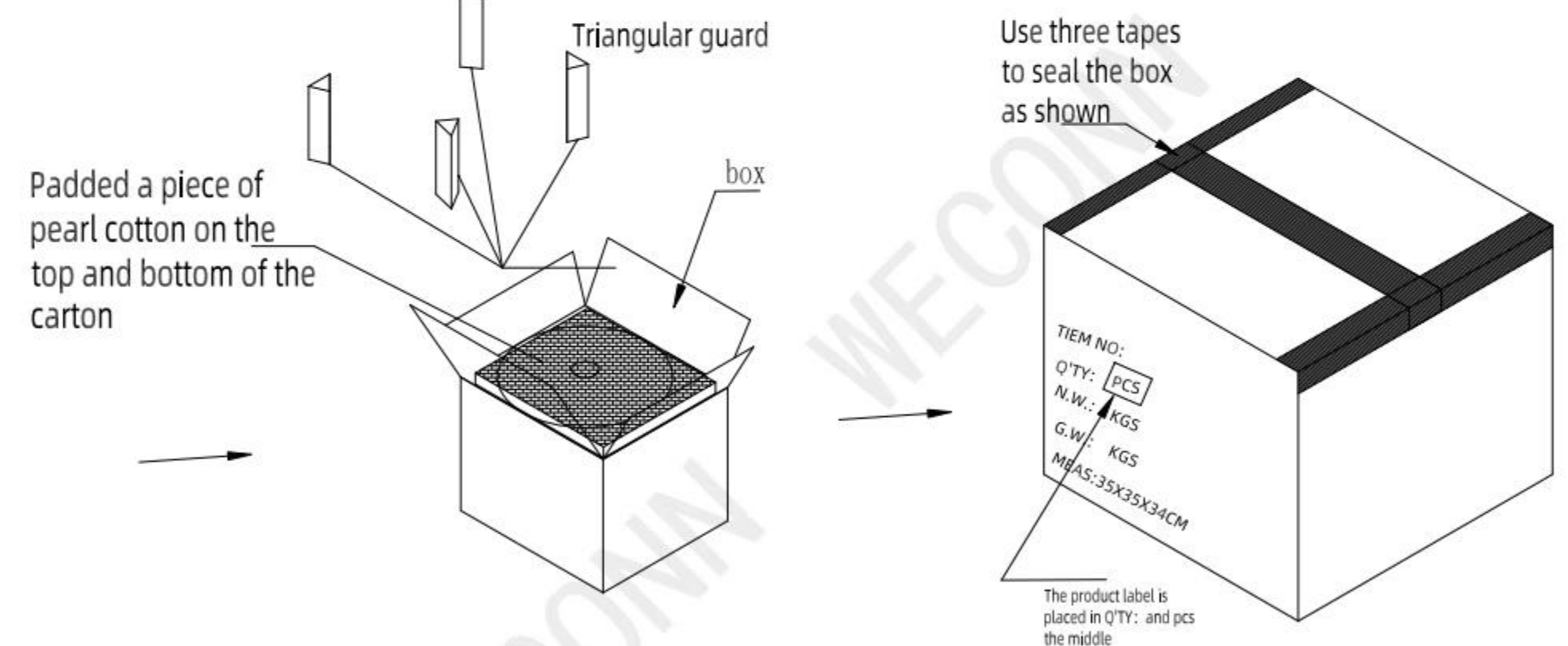
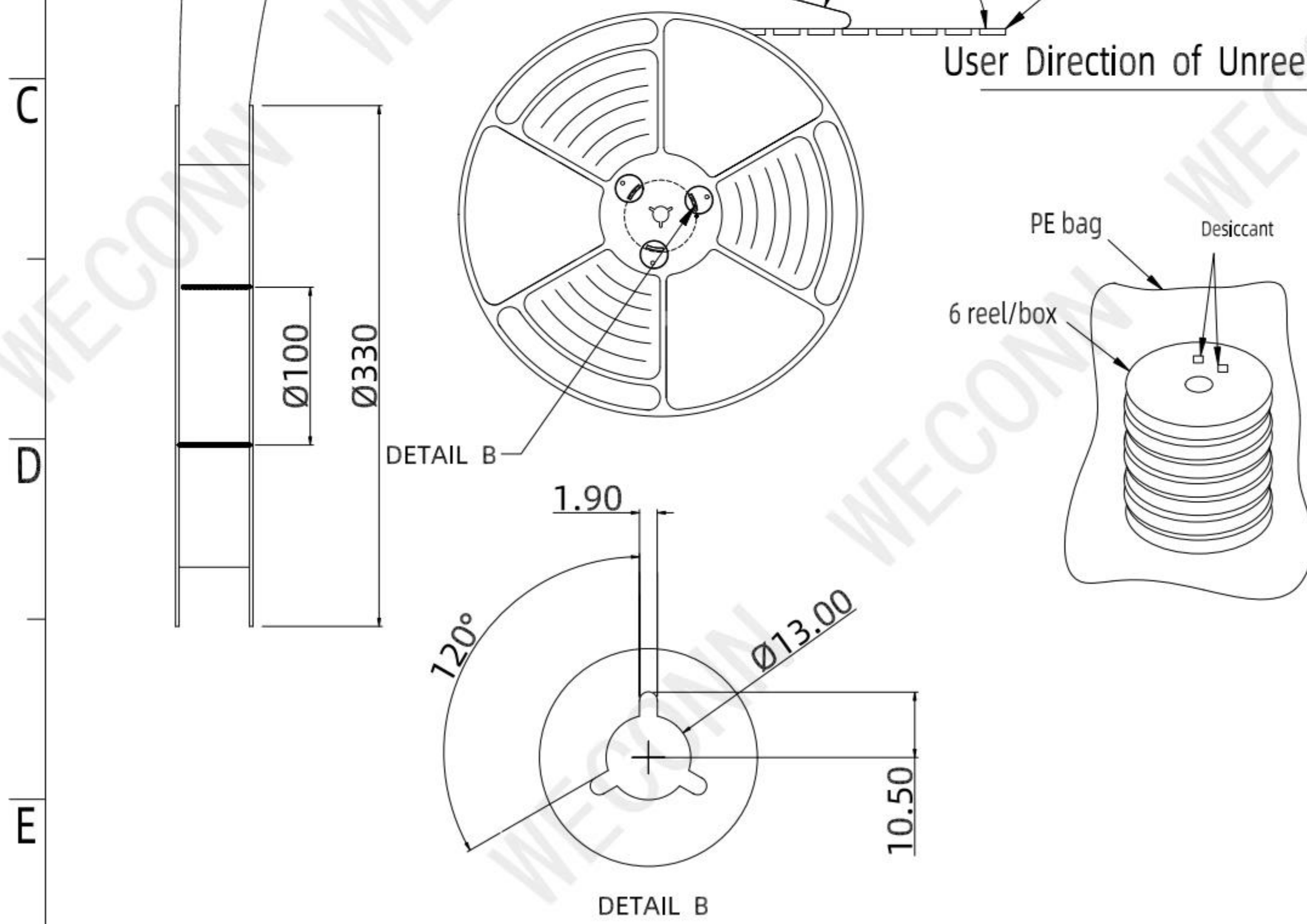
EMPTY 10PCS MIN		PAR 500PCS	EMPTY 10PCS MIN	COVER TAPE (300mm Min)
LEADER 400mm MIN		COMPONENT SUPPLIER	TRAILER 160mm MIN	

COVER TAPE PEELING ANGLE: 165°~180°
PEELING FORCE: 20~130g

CARRIER TAPE

User Direction of Unreeling

3. QUANTITY: 3000PCS/CARTON



MILLIMETERS	INCH	UNITS	WECONN® 深圳市微连电子有限公司 ShenZhen Welink Electronics Co.,Ltd			
X.° ± 2°	X.° ± 2°	MM	PART NUMBER: WL-SIM190-016		TITLE: SIM卡座 自弹 带开关 四角镀金	
.X ± 0.30	.XX ± 0.012	MAT'L SEE NOTES	DWG NO.:		APPD:	Cornelia
.XX ± 0.20	.XXX ± 0.008	FINISH SEE NOTES	WL-SIM190-016		CHKD:	Mark
.XXX ± 0.10	.XXXX ± 0.004	QTY SEE NOTES	SCALE	SHEET	REV.	DR:
THESE DRAWINGS AND SPECIFICATION ARE Welink ShenZhen Welink Electronics Co.,Ltd COPIED OR USED IN ANY MANNER WITHOUT Welink ShenZhen Welink Electronics Co.,Ltd			1:1	2/2	A1	Michael