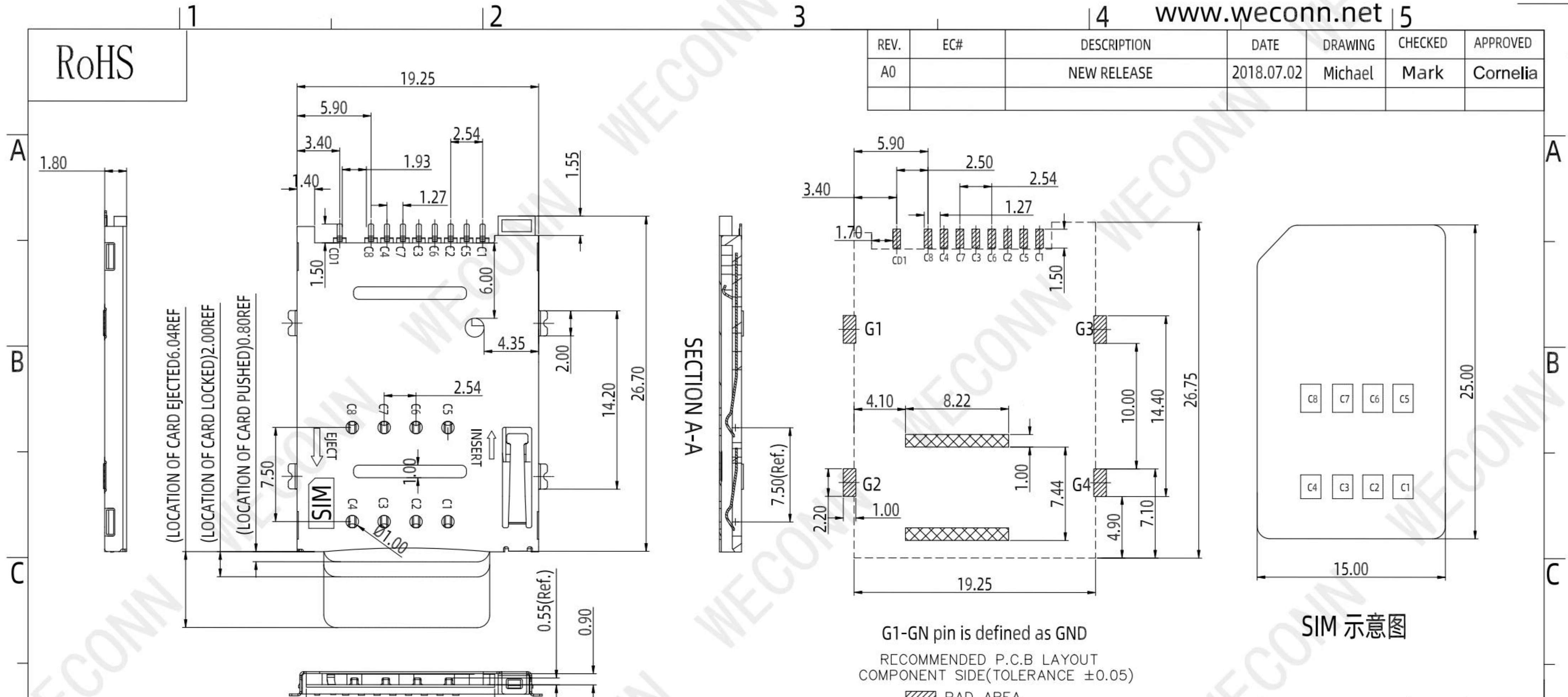


RoHS

REV.	EC#	DESCRIPTION	DATE	DRAWING	CHECKED	APPROVED
A0		NEW RELEASE	2018.07.02	Michael	Mark	Cornelia



G1-GN pin is defined as GND
 RECOMMENDED P.C.B LAYOUT
 COMPONENT SIDE(TOLERANCE ±0.05)

NOTES:

MATERIAL:

Insulator: High Temperature Thermoplastic, UL 94V-0.
 Contact: Copper Alloy
 CD PIN: Copper Alloy
 Shell: STAINLESS

Electrical:

Current Rating :0.5A AC/DC max.
 Voltage Rating :30V AC/DC
 Ambient Temperature Range :-20°C~+60°C
 Storage Temperature Range :-40°C~+70°C
 Ambient Humidity Range :95% R.H. Max.
 Contact Resistance:100mΩ max.
 Insulation Resistance:1000MΩ min./500VDC
 Mating Cycles:5,000 Insertions
 Temperature: 260°C ±5°

ELECTRIC FUNCTION	DETECT SWITCH
WITHOUT CARD	OPEN
CARD INSERTED	CLOSED



PIN NO.	DESCRIPTION
C1	VCC
C5	GND
C2	RST
C6	VPP
C3	CLK
C7	I/O
C4	Reserved
C8	Reserved
CD1	C/D

PLEASE CONTACT WELINK SALES REPRESENTATIVE
 TO VERIFY PRODUCT DETAILS & AVAILABILITY

MILLIMETERS	INCH	UNITS
X.° ± 2°	X.° ± 2°	MM
.X ± 0.30	.XX ± 0.012	MAT'L
.XX ± 0.20	.XXX ± 0.008	SEE NOTES
.XXX ± 0.10	.XXXX ± 0.004	FINISH
		SEE NOTES
		QTY
		SEE NOTES

WECONN 深圳市微连电子有限公司
 ShenZhen Welink Electronics Co.,Ltd

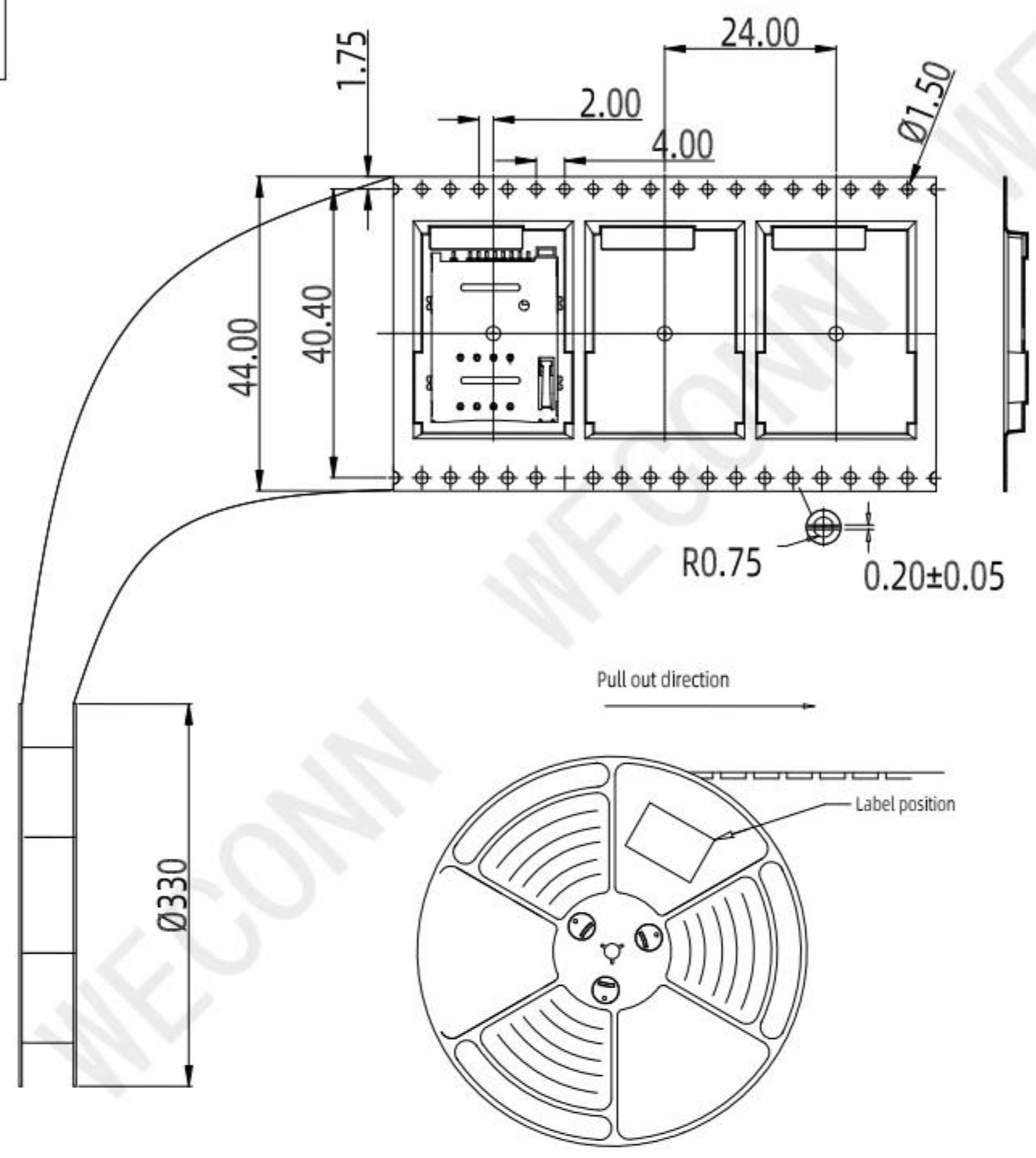
PART NUMBER: WL-SIM180-093
 TITLE: SIM卡座 自弹式 8P 带开关 1.8H

DWG NO.: WL-SIM180-093
 APPD: Cornelia
 CHKD: Mark
 DR: Michael

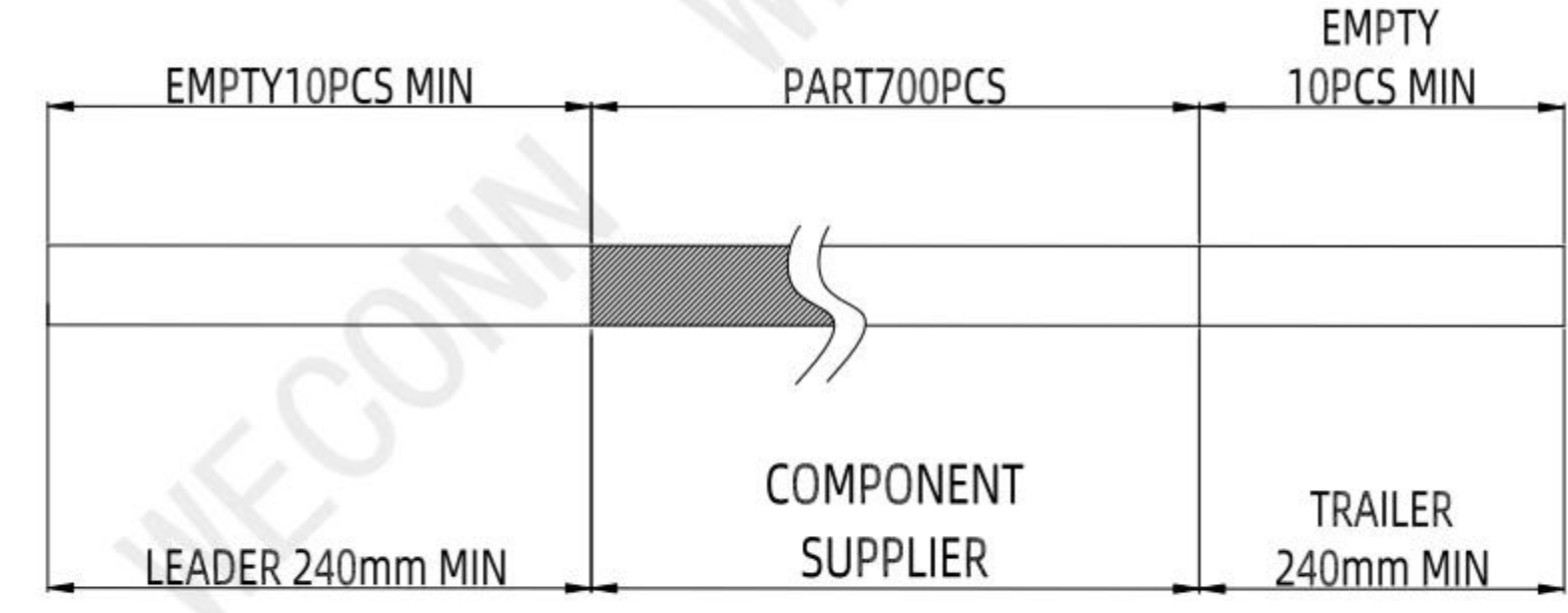
SCALE: 1:1 SHEET: 1/2 REV: A1

RoHS

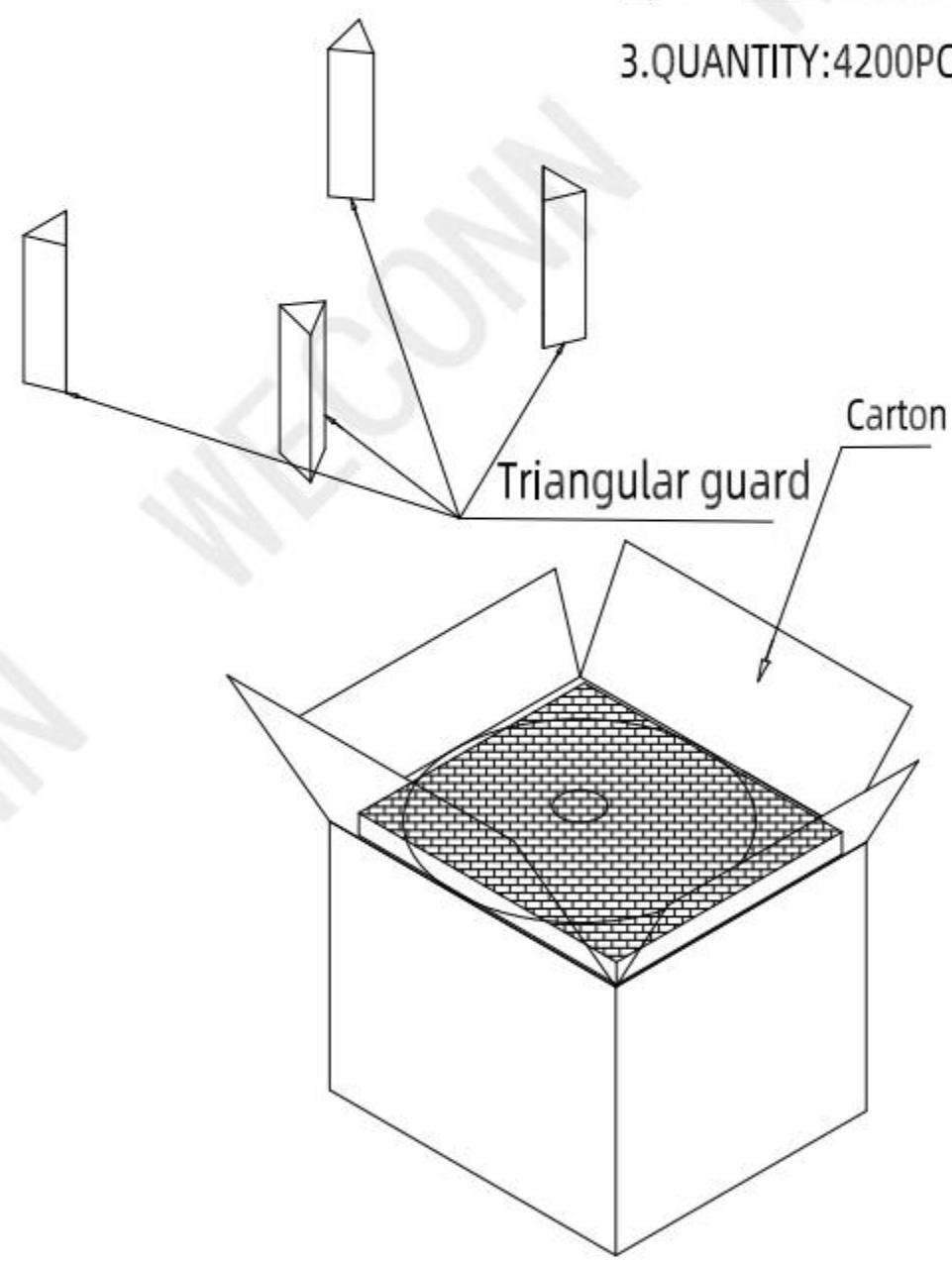
REV.	EC#	DESCRIPTION	DATE	DRAWING	CHECKED	APPROVED
A0		NEW RELEASE	2018.07.02	Michael	Mark	Cornelia



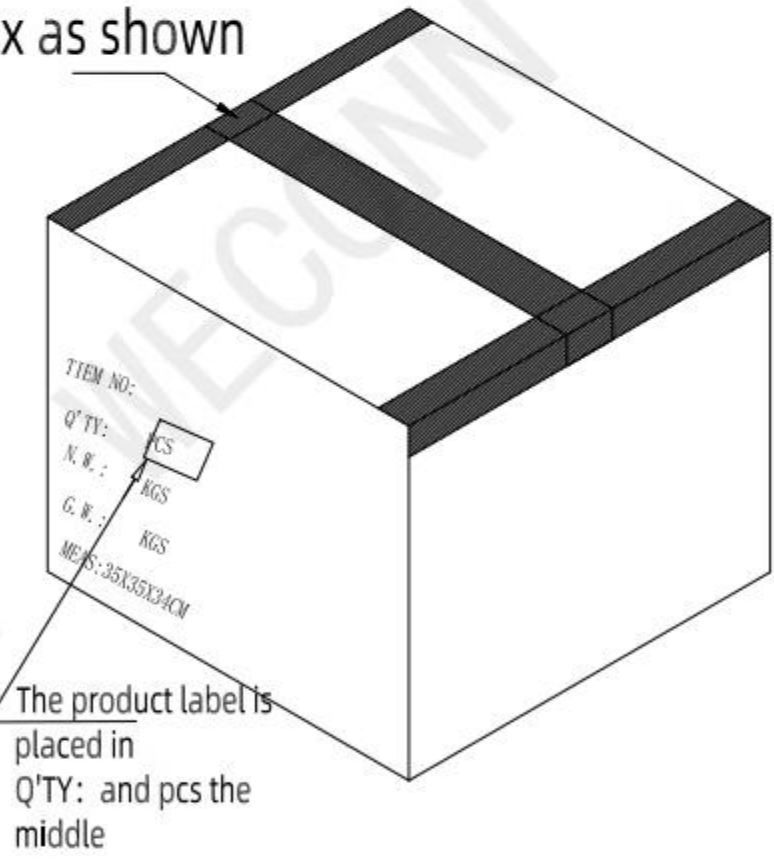
- NOTES
1. NUMBER OF CONNECTORS: 700PCS/REEL
 2. LEAD TAPE LENGTH



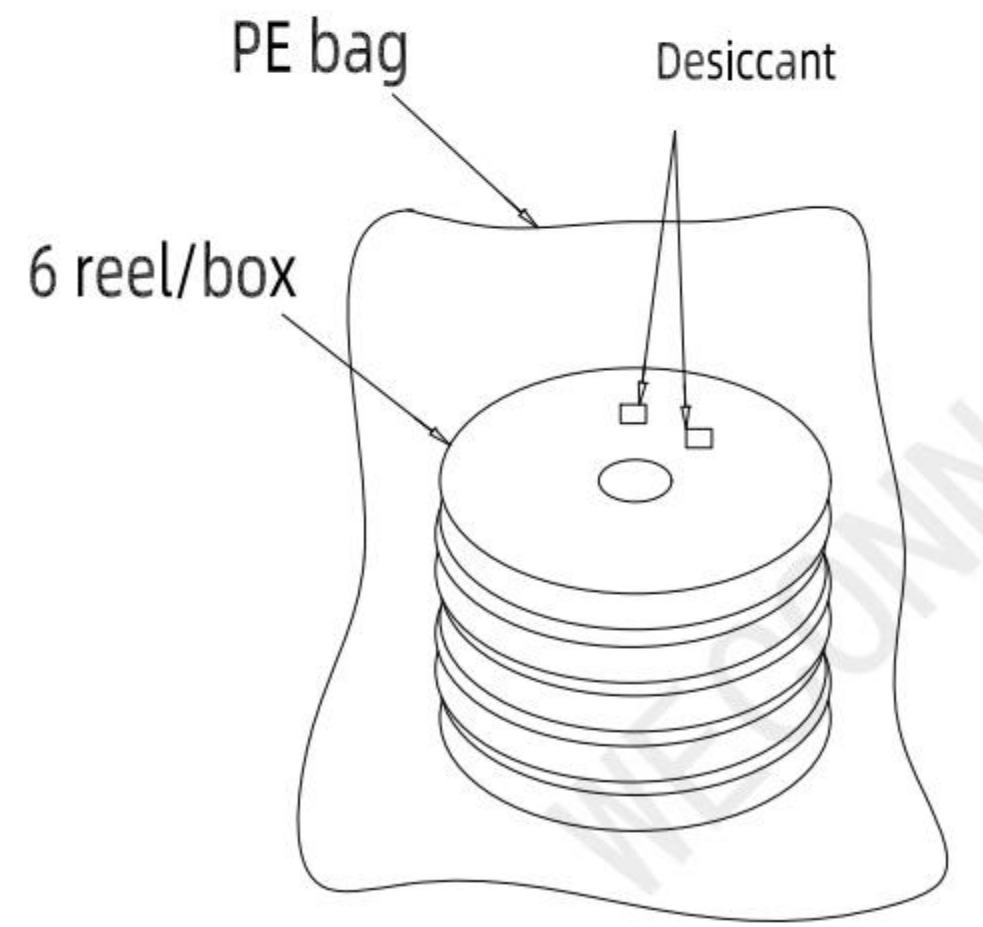
3. QUANTITY: 4200PCS/CARTON



Use three tapes to seal the box as shown



The product label is placed in Q'TY: and pcs the middle



MILLIMETERS	INCH	UNITS	WECONN® 深圳市微连电子有限公司 ShenZhen Welink Electronics Co.,Ltd			
X.° ± 2°	X.° ± 2°	MM	PART NUMBER: WL-SIM180-093		TITLE: SIM卡座 自弹式 8P 带开关 1.8H	
.X ± 0.30	.XX ± 0.012	MAT'L SEE NOTES	DWG NO.: WL-SIM180-093		APPD:	Cornelia
.XX ± 0.20	.XXX ± 0.008	FINISH SEE NOTES	SCALE	SHEET	REV.	CHKD:
.XXX ± 0.10	.XXXX ± 0.004	QTY SEE NOTES	1:1	2/2	A1	DR:
<small>THESE DRAWINGS AND PECIFICATION ARE Welink ShenZhen Welink Electronics Co.,Ltd COPIED OR USED IN ANY MANNER WITHOUT Welink ShenZhen Welink Electronics Co.,Ltd</small>			Michael			