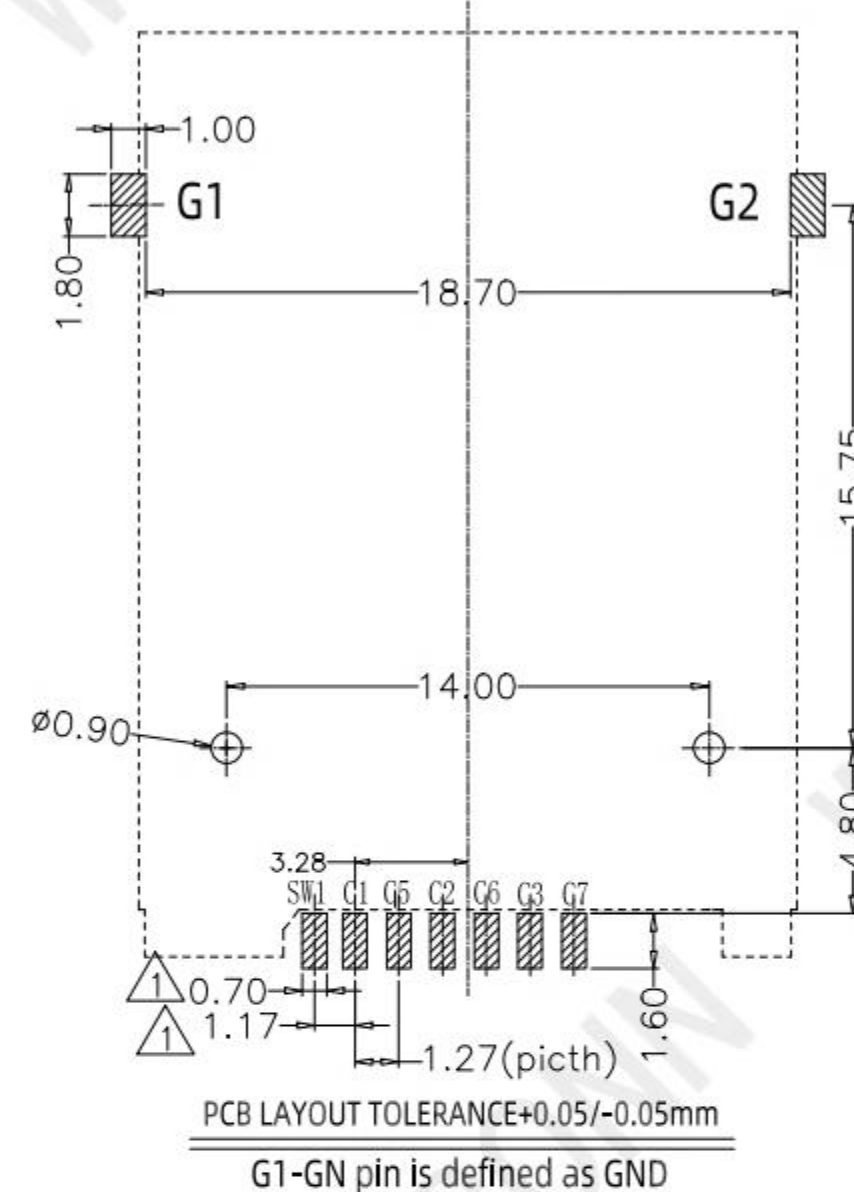
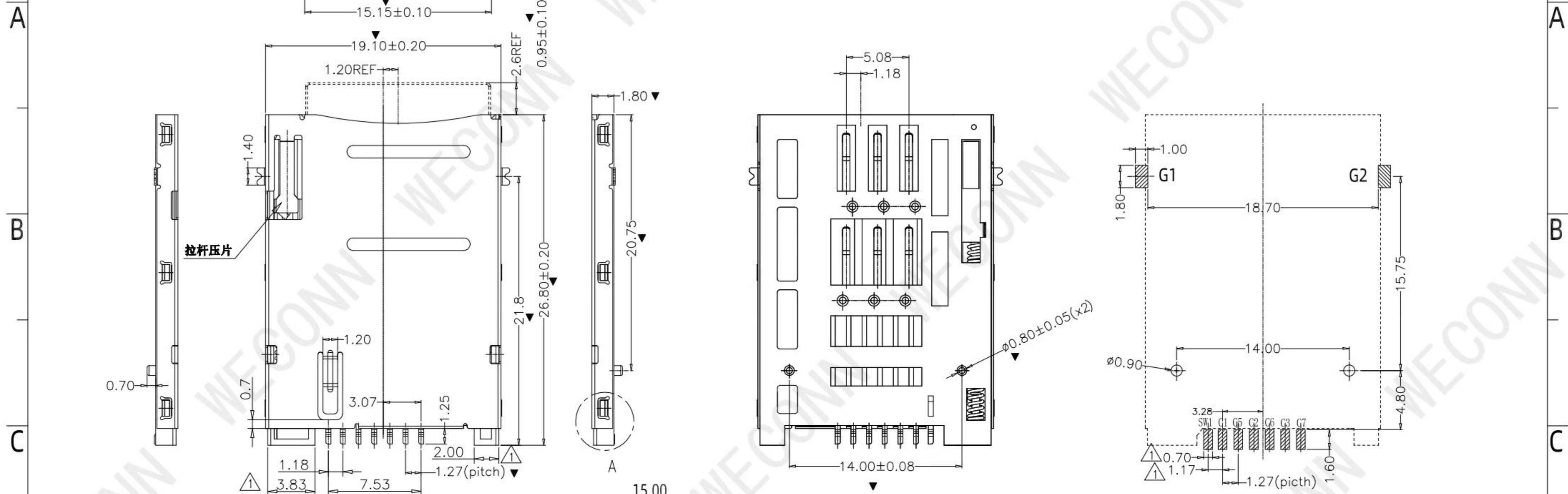


RoHS

REV.	EC#	DESCRIPTION	DATE	DRAWING	CHECKED	APPROVED
A0		NEW RELEASE	2019.05.23	Michael	Mark	Cornelia



ELECTRIC FUNCTION	DETECT SWITCH
WITHOUT CARD	OPEN
CARD INSERTED	CLOSED

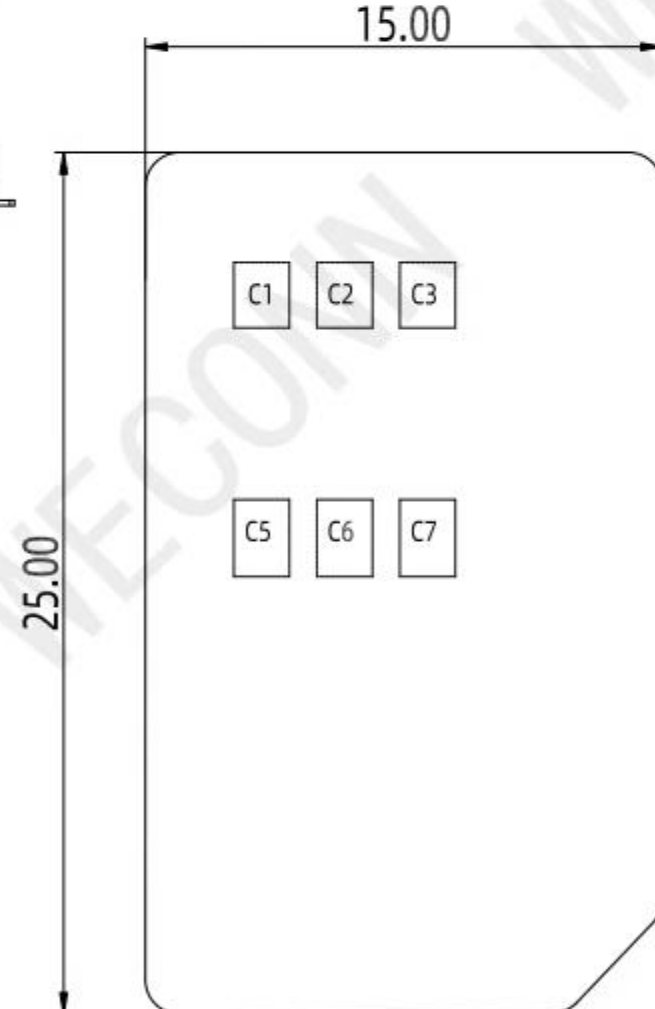


PIN NO.	CONNECTOR TERMINAL
SW1	SWITCH
C1	VCC: PWR SIGNAL AND GND
C2	RST: RESET SIGNAL
C3	CLK: CLOCKING SIGNAL
C5	GND: RWR SIGNAL AND GND
C6	VPP: PROGRAMMING VOLTAGE
C7	I/Q: SERIAL DATA INPUT/OUTPUT

NOTE:

- 1.ELECTRICAL PERFORMANCE:
CONTACT RESISTANCE:100mΩ Max
DIELECTRIC STRENGTH:500V AC FOR 1 MINUTE.
- 2.MECHANICAL PERFORMANCE:
INSERTION FORCE:0.5kgf~1.5kgf
EJECTION FORCE:0.5kgf~1.5kgf
CYCLE LIFE:5000 TIMES.

- △ PUSH 卡座使用说明:
1. 产品外壳在任何时候不得受到外力挤压.
 2. 拉杆压片表面禁止受到外力或者物体覆盖.
 3. 产品禁止锁卡状态下承受高温.
 4. 焊接或者维修过程中, 产品内部禁止有松香进入.



Detail: A
SCALE 4:1

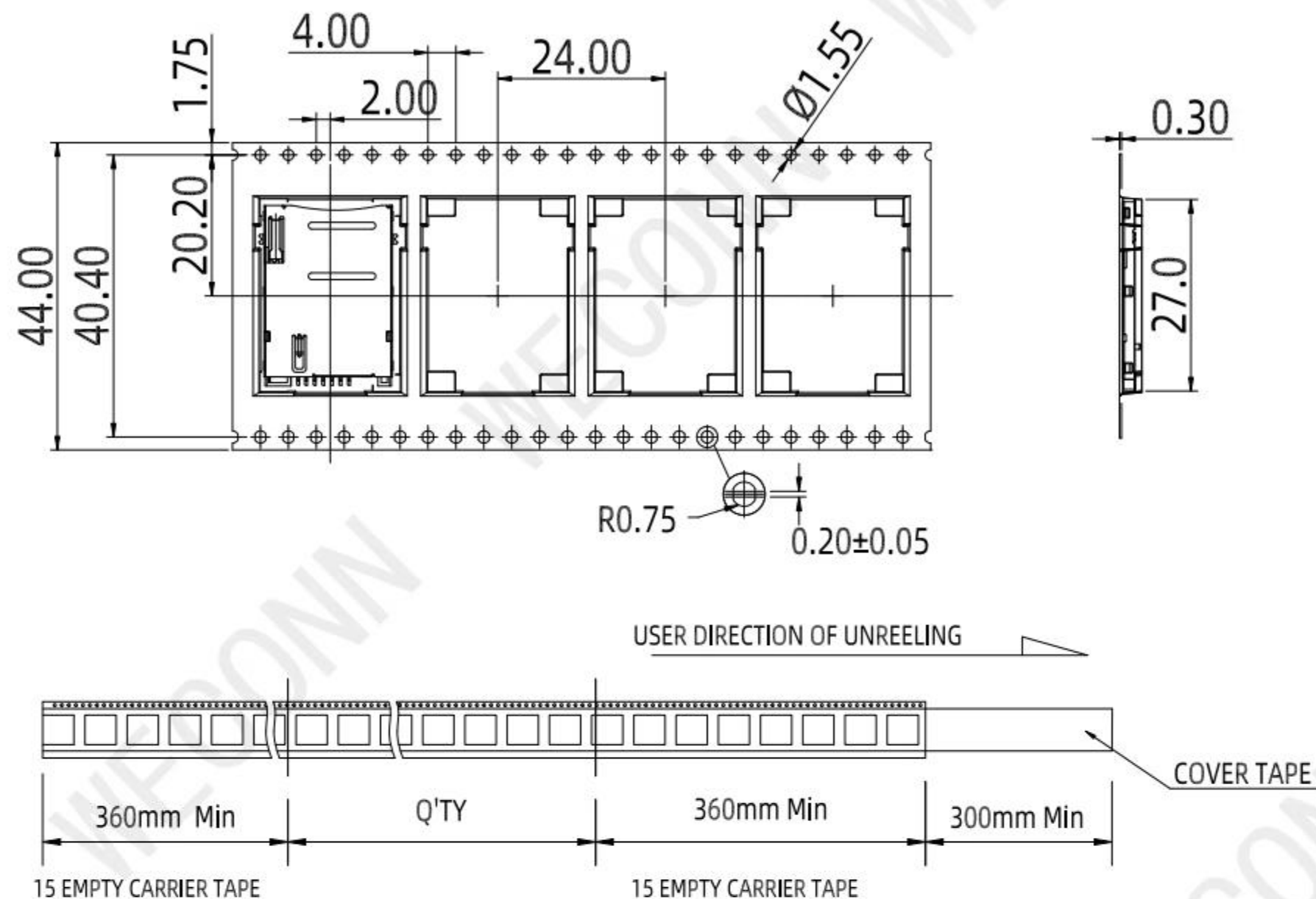
PLEASE CONTACT WELINK SALES REPRESENTATIVE TO VERIFY PRODUCT DETAILS & AVAILABILITY

MILLIMETERS	INCH	UNITS	WECONN® 深圳市微连电子有限公司 ShenZhen Welink Electronics Co.,Ltd			
X.° ± 2°	X.° ± 2°	MM	PART NUMBER:		TITLE:	
.X ± 0.30	.XX ± 0.012	MAT'L	WL-SIM180-101		SIM卡座 自弹式 6P 带检测脚 有柱 下贴	
.XX ± 0.20	.XXX ± 0.008	FINISH	DWG NO.:		APPD: Cornelia	
.XXX ± 0.10	.XXXX ± 0.004	SEE NOTES	WL-SIM180-101		CHKD: Mark	
THESE DRAWINGS AND SPECIFICATION ARE Welink ShenZhen Welink Electronics Co.,Ltd COPIED OR USED IN ANY MANNER WITHOUT Welink ShenZhen Welink Electronics Co.,Ltd			QTY	SCALE	SHEET	
			SEE NOTES	1:1	1/2	
				REV.	A1	
				DR:	Michael	

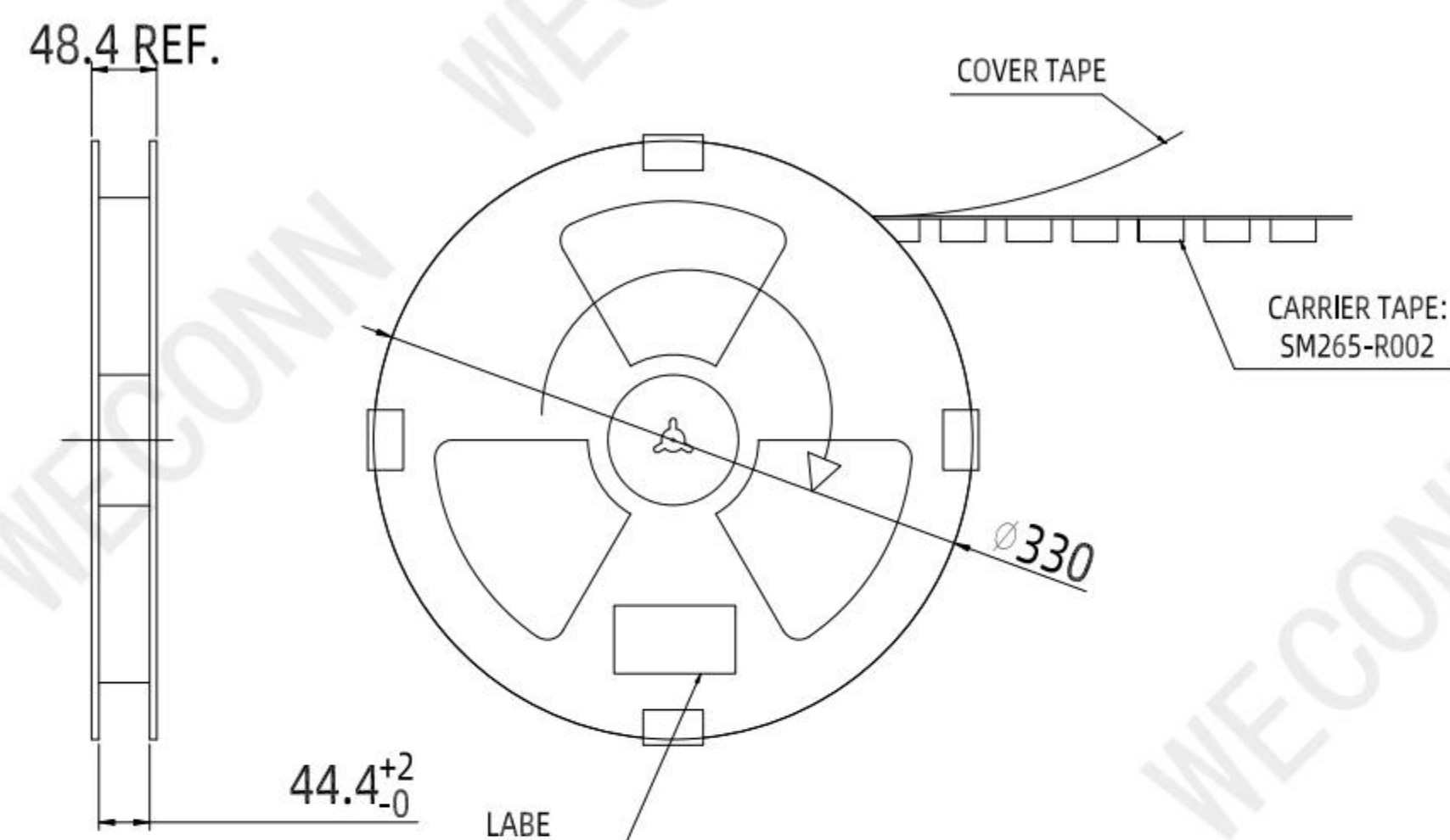
RoHS

REV.	EC#	DESCRIPTION	DATE	DRAWING	CHECKED	APPROVED
A0		NEW RELEASE	2019.05.23	Michael	Mark	Cornelia

<Figure 1>



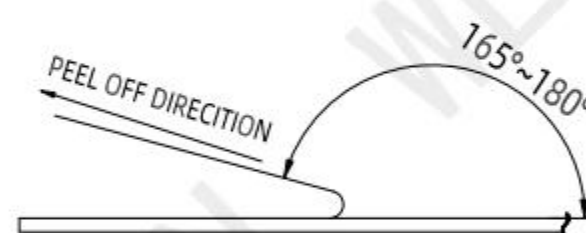
<Figure 2>



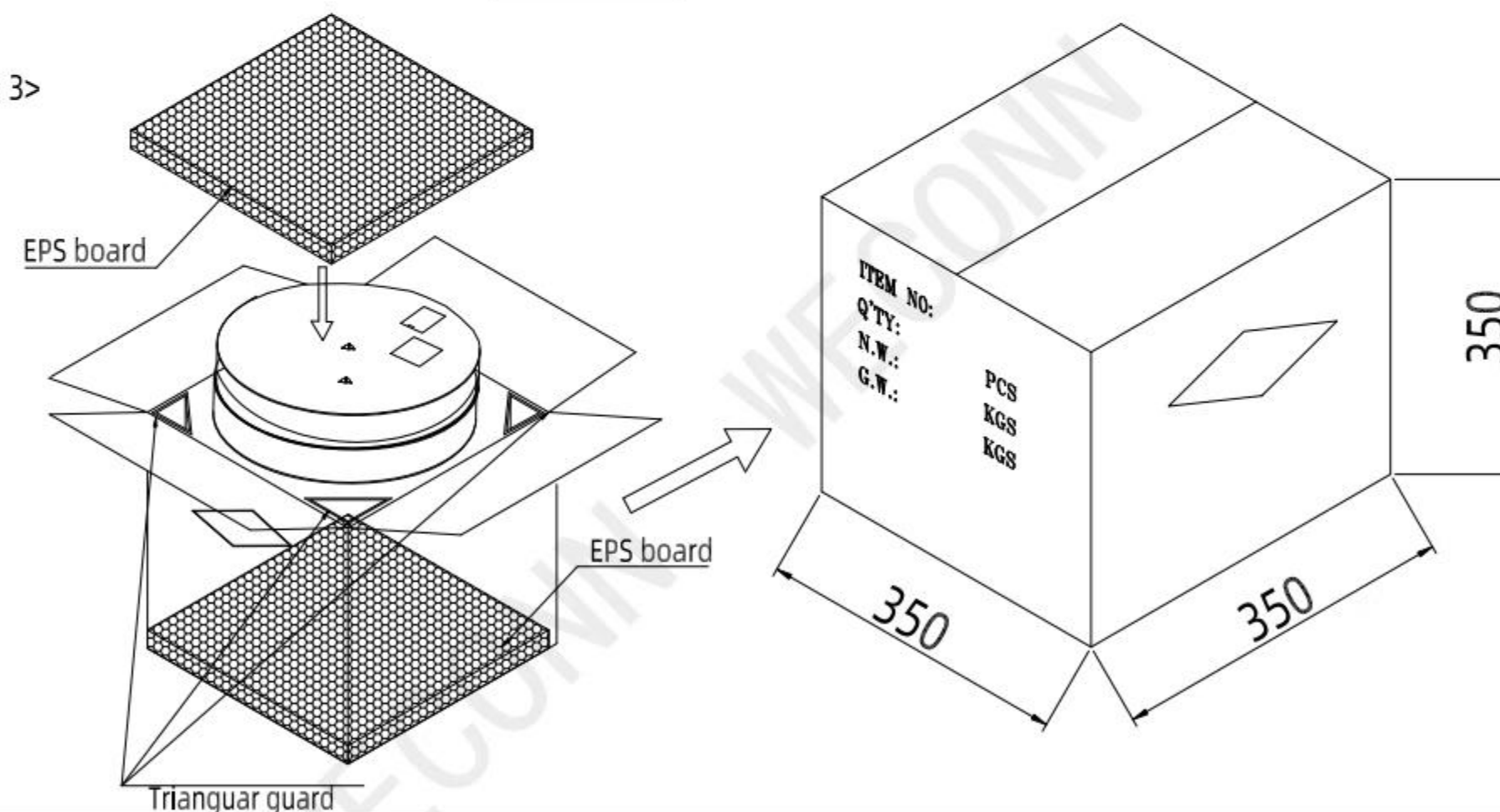
<TABLE 1> PACKAGING QUANTITY

QTY/REEL	REEL/CARTON	QTY/CARTON
600	6	3600

COVER TAPE PEELING FORCE:20gf~120gf



<Figure 3>



NOTE:

- Place the product in the download as shown in <Figure 1>, and place 1 PCS product per hole.
- After the packaging machine is wrapped, stick tape on each equal point of the REEL to prevent the REEL from opening.
Each REEL affixed 1PCS label, as shown in <Figure 2>
- The packaging quantity is shown as <TABLE 1>
- Packed into a box, as shown in <Figure 3>
Put the styrofoam board at the bottom of the box, and then put the specified number of rolled products in waterproof bags and put them in the box.
Put four triangular guards into the four corners, and put the styrofoam board on the top layer.
- Seal the box, write the material number, quantity, etc. on the sealed carton according to customer requirements

MILLIMETERS	INCH	UNITS	WECONN® 深圳市微连电子有限公司 ShenZhen Welink Electronics Co.,Ltd				
X.° ± 2°	X.° ± 2°	MM	PART NUMBER: WL-SIM180-101		TITLE: SIM卡座 自弹式 6P 带检测脚 有柱 下贴		
.X ± 0.30	.XX ± 0.012	MAT'L	DWG NO.: WL-SIM180-101		APPD:	Cornelia	
.XX ± 0.20	.XXX ± 0.008	SEE NOTES	SCALE	SHEET	REV.	CHKD:	Mark
.XXX ± 0.10	.XXXX ± 0.004	FINISH	1:1	2/2	A1	DR:	Michael
QTY SEE NOTES							
THESE DRAWINGS AND PECIFICATION ARE Welink ShenZhen Welink Electronics Co.,Ltd COPIED OR USED IN ANY MANNER WITHOUT Welink ShenZhen Welink Electronics Co.,Ltd							