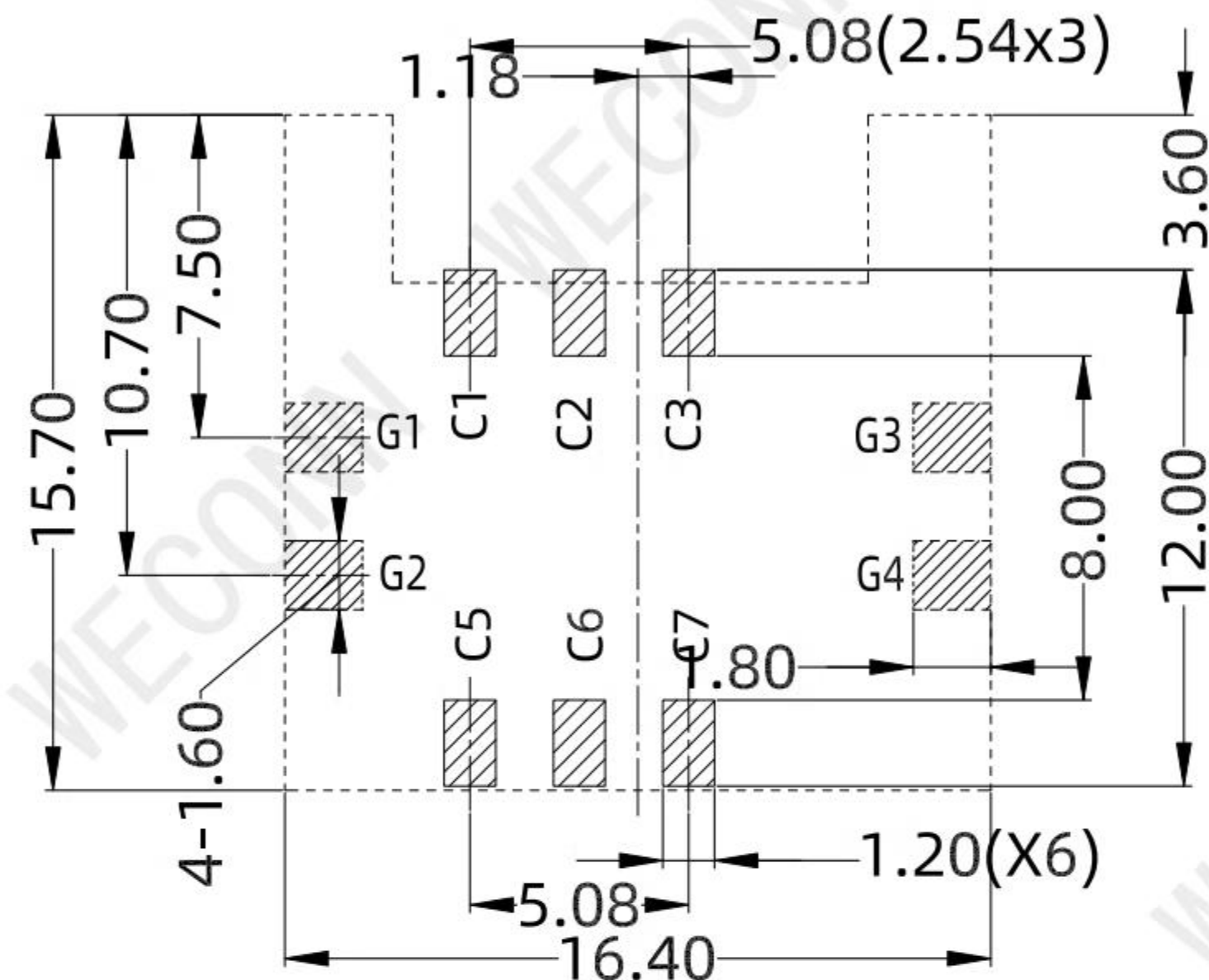
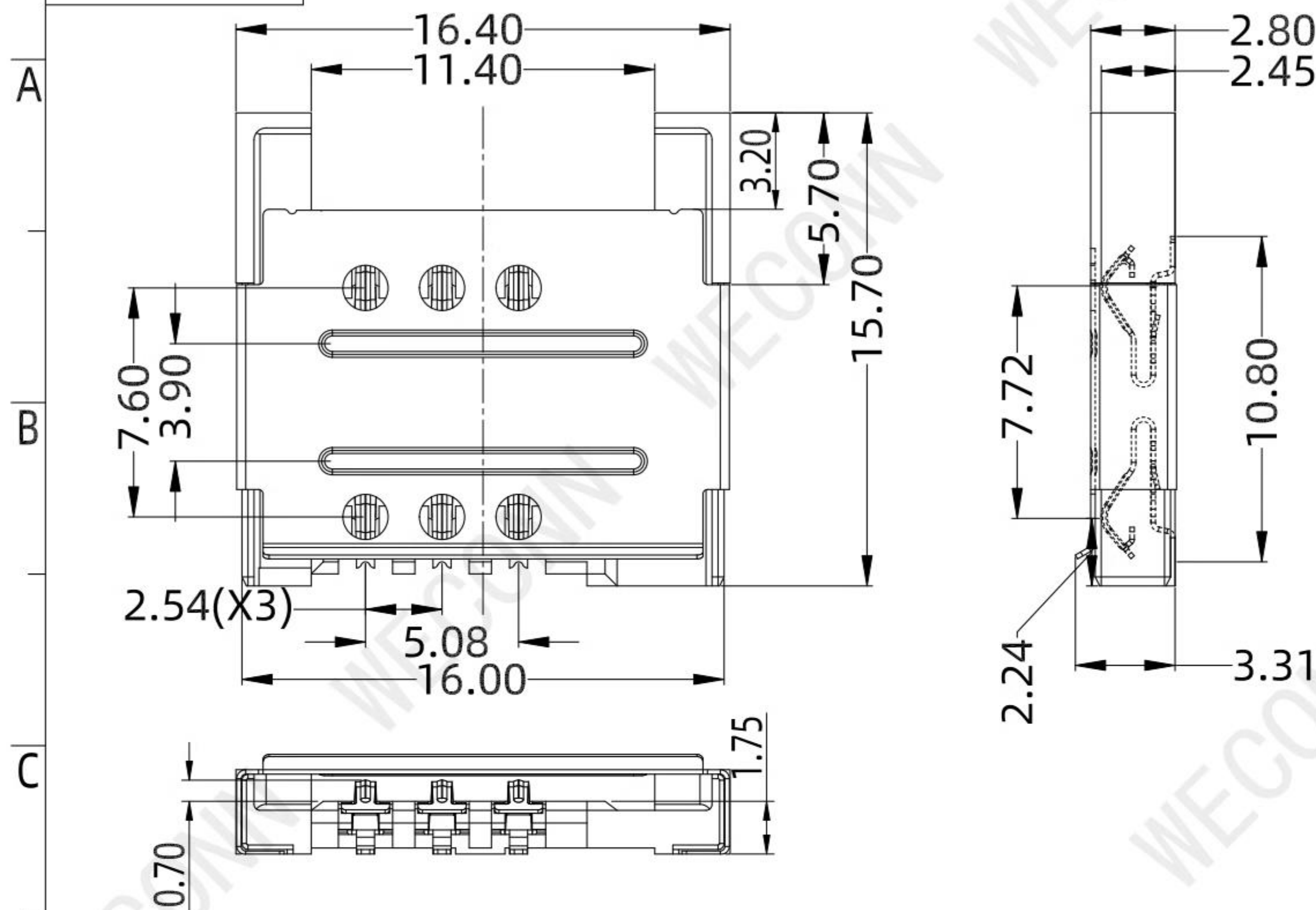


RoHS

REV.	EC#	DESCRIPTION	DATE	DRAWING	CHECKED	APPROVED
A0		NEW RELEASE	2018.09.28	Michael	Mark	Cornelia



RECOMMENDED PCB LAYOUT
GENERAL TOLERANCE (.XX±0.05)

G1-GN pin is defined as GND

TECHNICAL CHARACTERISTICS

1.General Characteristics

Dimensions: 15.7LX16.4WX2.80H mm
Weight: Approx 0.53±0.1g
Durability: 5,000 cycles min.

2.Electrical Characteristics

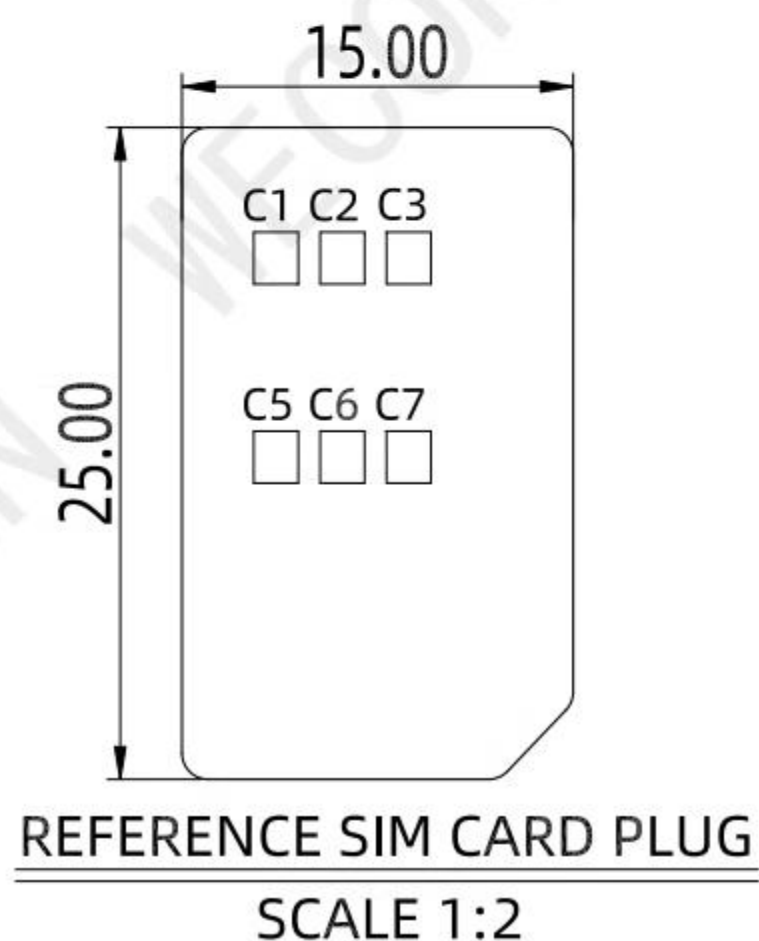
Contact resistance: 50mΩ typical, 100mΩ max
Insulation resistance: >1000MΩ/500V DC

3.Solderability

IR reflow: 250°C, 5sec. Max
Manual soldering: 370°C, 3sec. Max

4.Environmental Characteristics

Operating temperature: -40°C~+85°C
Operating humidity: 10%~+95%RH



SIM pin Assignment	
PIN#	Name
C1	VCC
C2	RST
C3	CLK
C5	GND
C6	VPP
C7	I/O

PLEASE CONTACT WELINK SALES REPRESENTATIVE
TO VERIFY PRODUCT DETAILS & AVAILABILITY

ITEM	PART NAME	Q'TY	MATERIAL	FINISH
1	BASE	1	Hi-temp Thermoplastic	Black UL94V-0
2	COVER	1	SUS	
3	DATA CONTACT	6	Copper Alloy	Contact area: Gold plated

MILLIMETERS	INCH
X.° ± 2°	X.° ± 2°
.X ± 0.30	.XX ± 0.012
.XX ± 0.20	.XXX ± 0.008
.XXX ± 0.10	.XXXX ± 0.004

UNITS: MM

MAT'L: SEE NOTES

FINISH: SEE NOTES

QTY: SEE NOTES

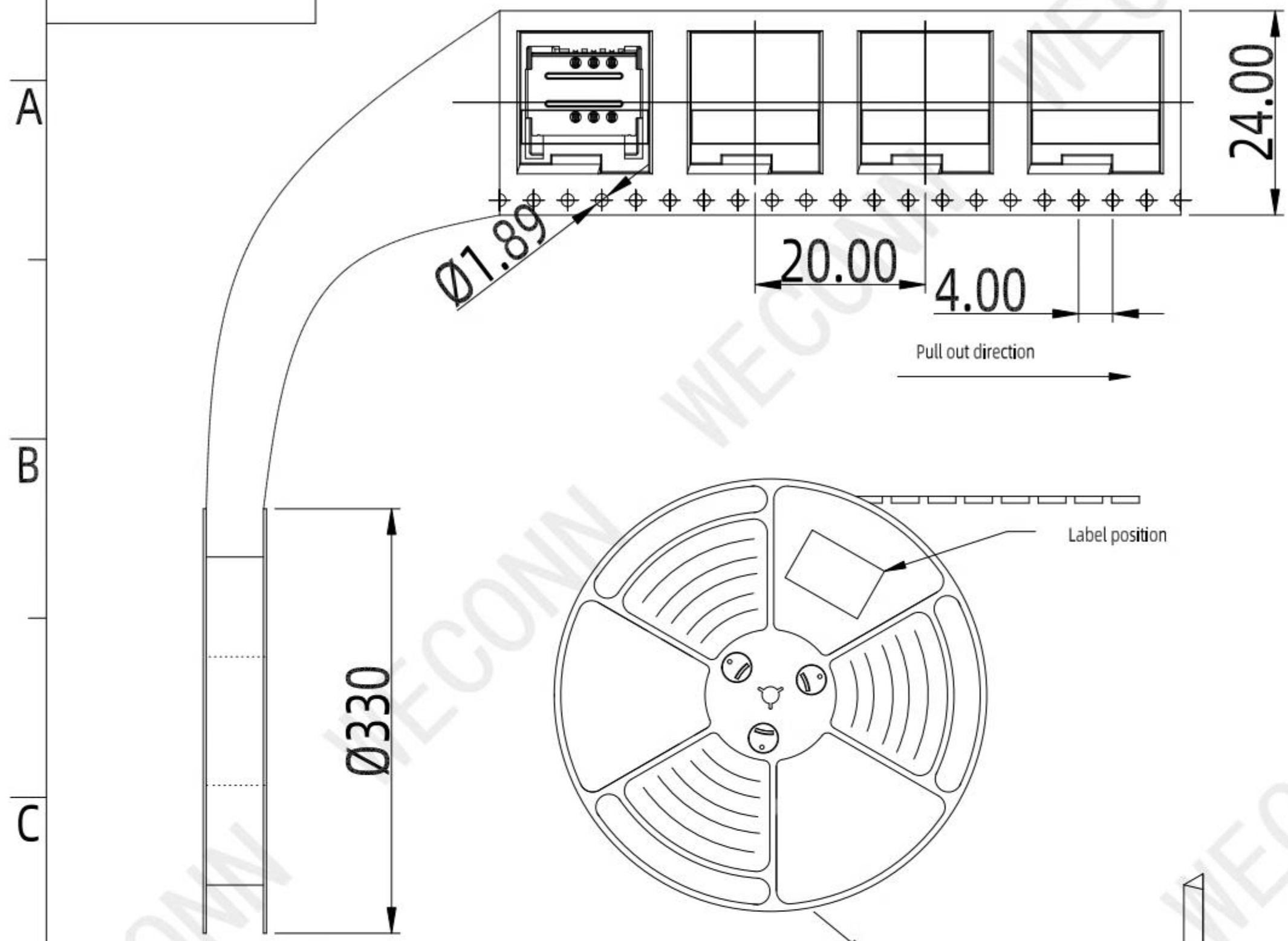
WECONN 深圳市微连电子有限公司
ShenZhen Welink Electronics Co.,Ltd

PART NUMBER: WL-SIM280-014	TITLE: SIM卡座 插拔式 2.8H
DWG NO.: WL-SIM280-014	APPD: Cornelia
SCALE: 1:1	CHKD: Mark
SHEET: 1/2	DR: Michael
REV: A1	

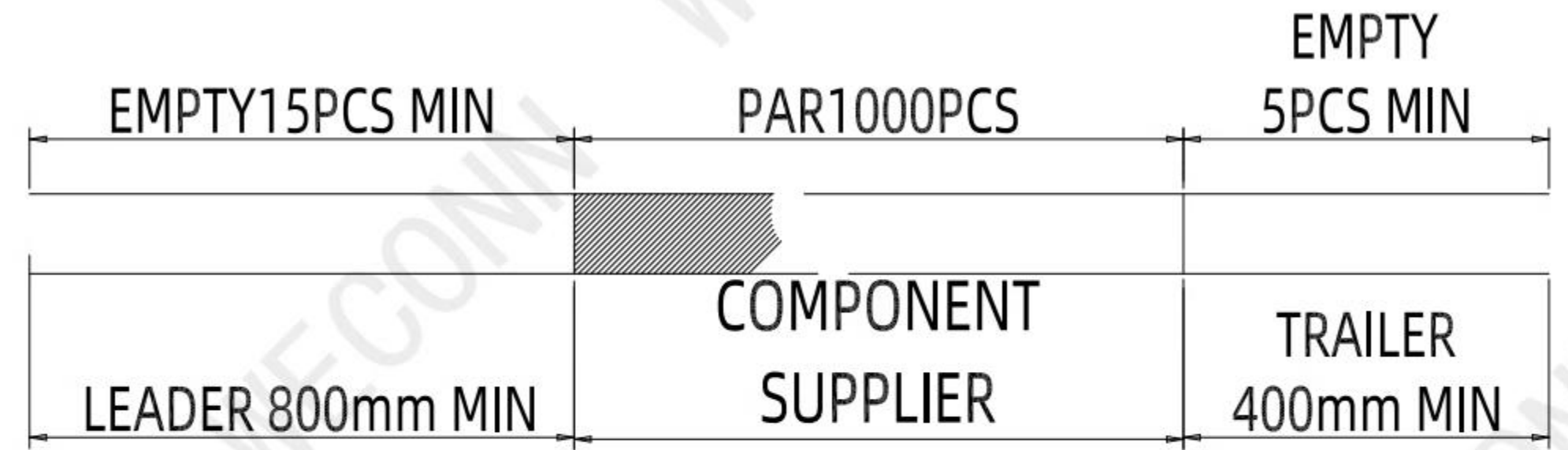
THESE DRAWINGS AND SPECIFICATION ARE WELINK
SHENZHEN WELINK ELECTRONICS CO.,LTD
COPIED OR USED IN ANY MANNER WITHOUT WELINK
SHENZHEN WELINK ELECTRONICS CO.,LTD

RoHS

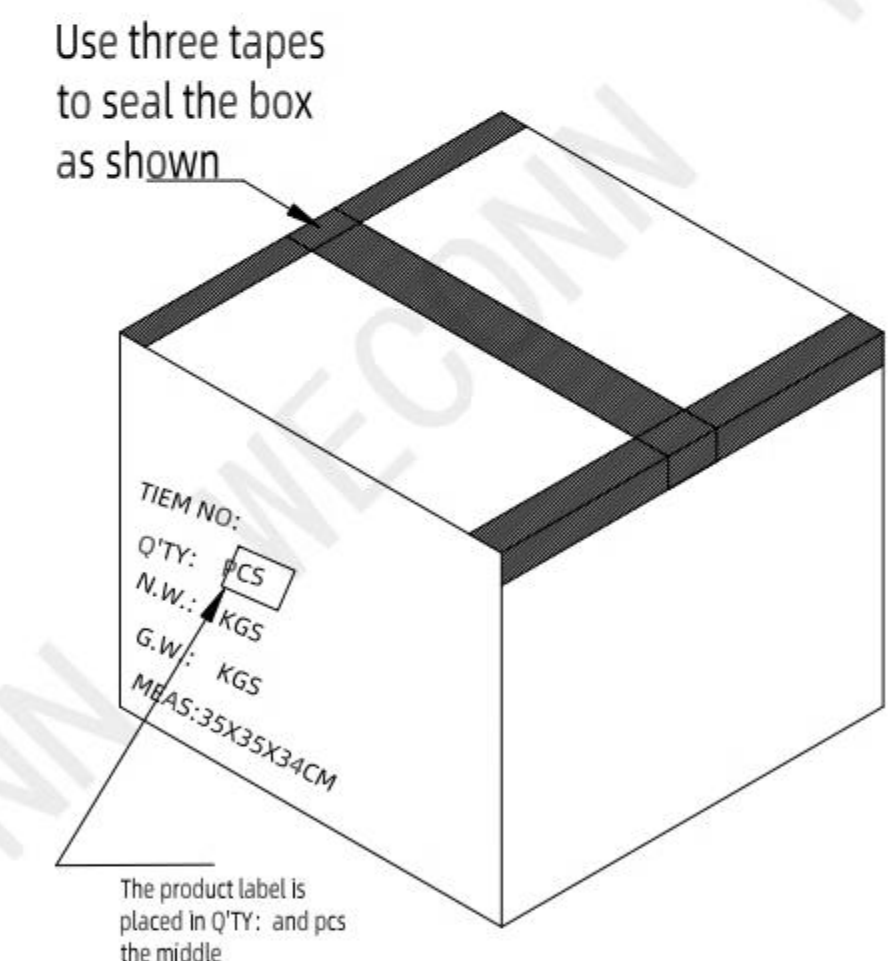
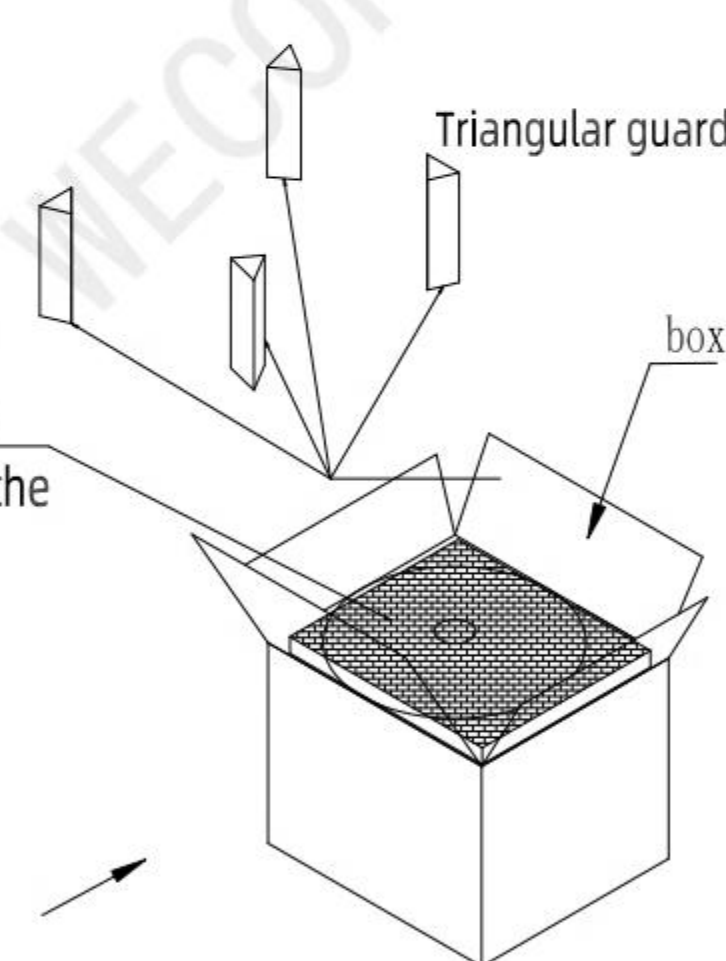
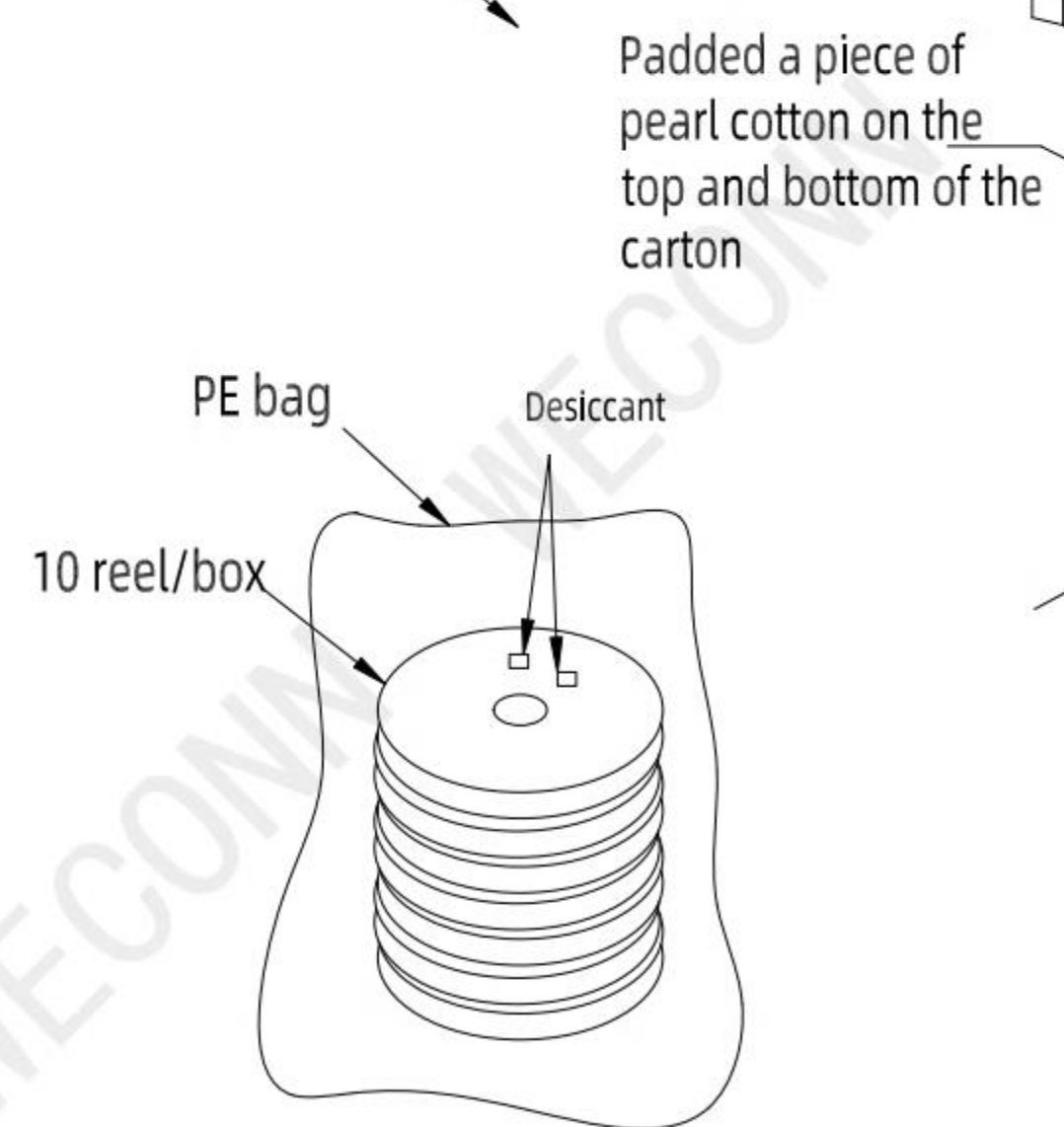
REV.	EC#	DESCRIPTION	DATE	DRAWING	CHECKED	APPROVED
A0		NEW RELEASE	2018.09.28	Michael	Mark	Cornelia



- NOTES
1. NUMBER OF CONNECTORS 1000PCS/REEL
 2. LEAD TAPE LENGTH



3. QUANTITY: 10000PCS/CARTON



MILLIMETERS	INCH	UNITS
X.° ± 2°	X.° ± 2°	MM
.X ± 0.30	.XX ± 0.012	MAT'L
.XX ± 0.20	.XXX ± 0.008	SEE NOTES
.XXX ± 0.10	.XXXX ± 0.004	FINISH
		SEE NOTES
		QTY
		SEE NOTES

THESE DRAWINGS AND SPECIFICATION ARE WECONN
ShenZhen Welink Electronics Co.,Ltd
COPIED OR USED IN ANY MANNER WITHOUT WECONN
ShenZhen Welink Electronics Co.,Ltd

WECONN 深圳市微连电子有限公司 ShenZhen Welink Electronics Co.,Ltd		
PART NUMBER: WL-SIM280-014	TITLE: SIM卡座 插拔式 2.8H	
DWG NO.: WL-SIM280-014	APPD: Cornelia	CHKD: Mark
SCALE: 1:1	SHEET: 2/2	REV.: A1
		DR: Michael