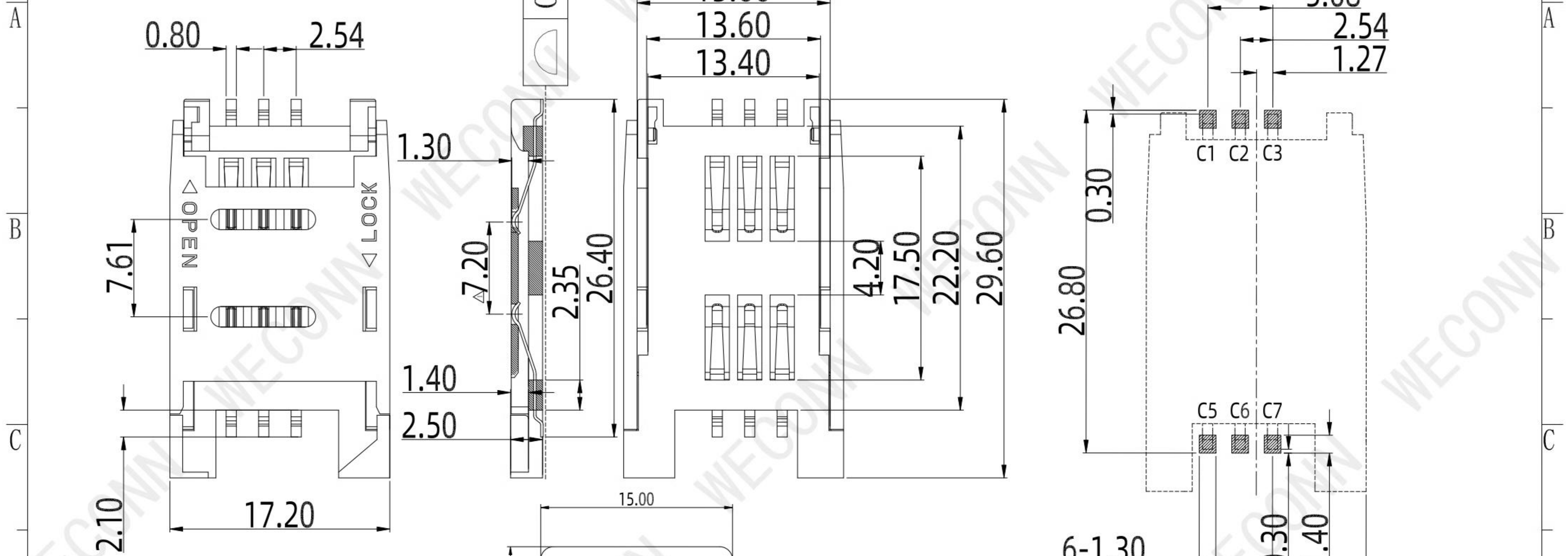
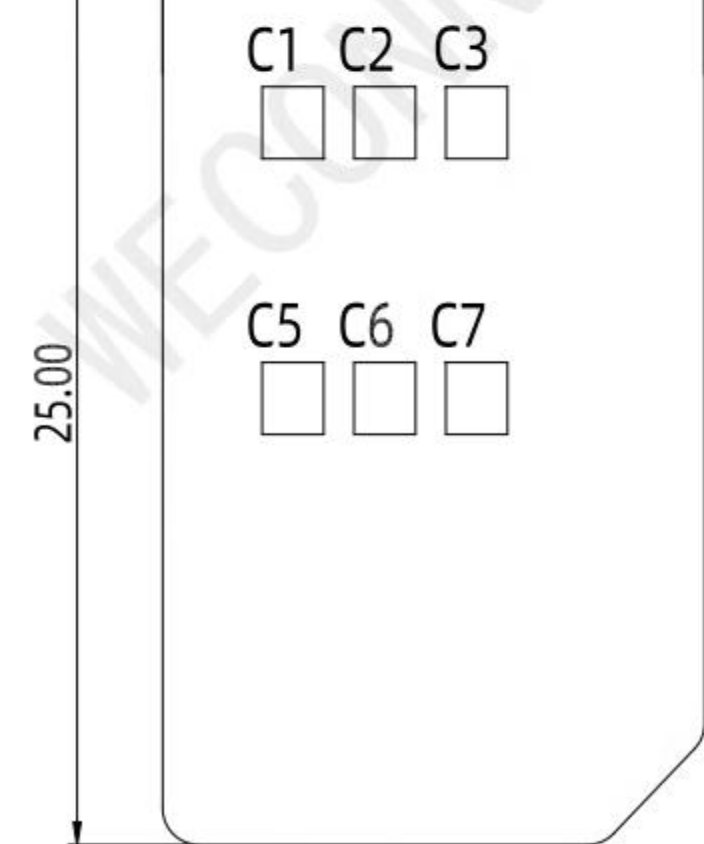


RoHS

REV.	EC#	DESCRIPTION	DATE	DRAWING	CHECKED	APPROVED
A0		NEW RELEASE	2018.07.28	Michael	Mark	Cornelia



- A.Material:
- 1.Insulator:High temperature thermoplastic UL94V-0,(BLACK LCP)
 - 2.Pho.Bronze:Plating, 50U" MIN NICKEL UNDERPLATED; 3-8U" GOLD ON THE CONTACT AREA; 100U" TIN PLATING ON SOLDER TAIL
- B.Electrical specifications:
- Voltage rating: 10 V AC
 - Current rating: 0.5A
 - Dielectric strength: 500V AC for 1 minute min
 - Insulation resistance: 1000 M ohm
 - Contact resistance: 100 mill.ohm max
 - Operation temperature: -25°C to +95°C
 - Product withstanding rff low soldering 260°C for 10s
- C.Mechanical specifications:
- 3.1 Durability: 5000 cycles



REFERENCE SIM CARD PLUG

Pin Assignments

PIN	Name
C1	Vcc
C2	RST
C3	CLK
C5	GND
C6	Vpp
C7	I/O

MILLIMETERS	INCH	UNITS
X.° ± 2°	X.° ± 2°	MM
.X ± 0.30	.XX ± 0.012	MAT'L
.XX ± 0.20	.XXX ± 0.008	SEE NOTES
.XXX ± 0.10	.XXXX ± 0.004	FINISH
		SEE NOTES
		QTY
		SEE NOTES

THESE DRAWINGS AND SPECIFICATION ARE Welink ShenZhen Welink Electronics Co.,Ltd COPIED OR USED IN ANY MANNER WITHOUT Welink ShenZhen Welink Electronics Co.,Ltd

RECOMMENDED PCB PATTERN DIM.
TOLERANCE : ±0.05

PLEASE CONTACT WELINK SALES REPRESENTATIVE TO VERIFY PRODUCT DETAILS & AVAILABILITY

WECONN® 深圳市微连电子有限公司
ShenZhen Welink Electronics Co.,Ltd

PART NUMBER: WL-SIM180-103		TITLE: SIM卡座 翻盖式 6P 2.5H 全塑	
DWG NO. : WL-SIM180-103		APPD:	Cornelia
SCALE	SHEET	CHKD:	Mark
1:1	1/2	DR:	Michael

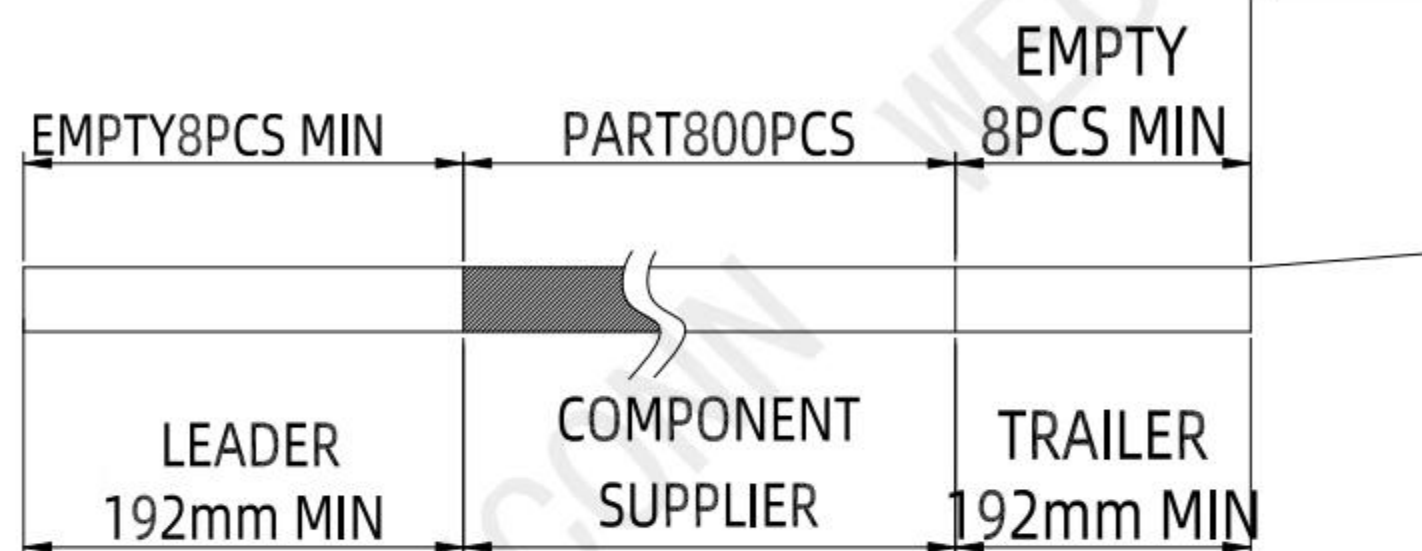
RoHS

REV.	EC#	DESCRIPTION	DATE	DRAWING	CHECKED	APPROVED
A0		NEW RELEASE	2018.07.28	Michael	Mark	Cornelia

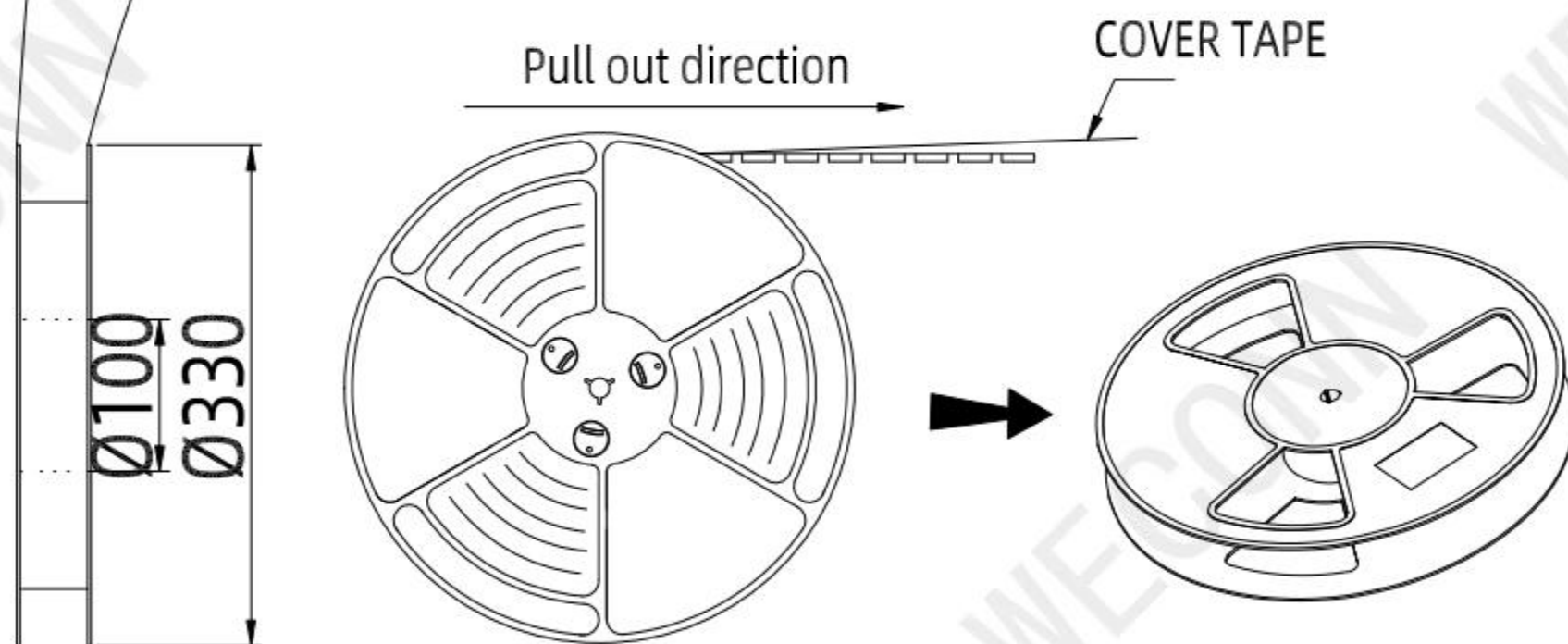
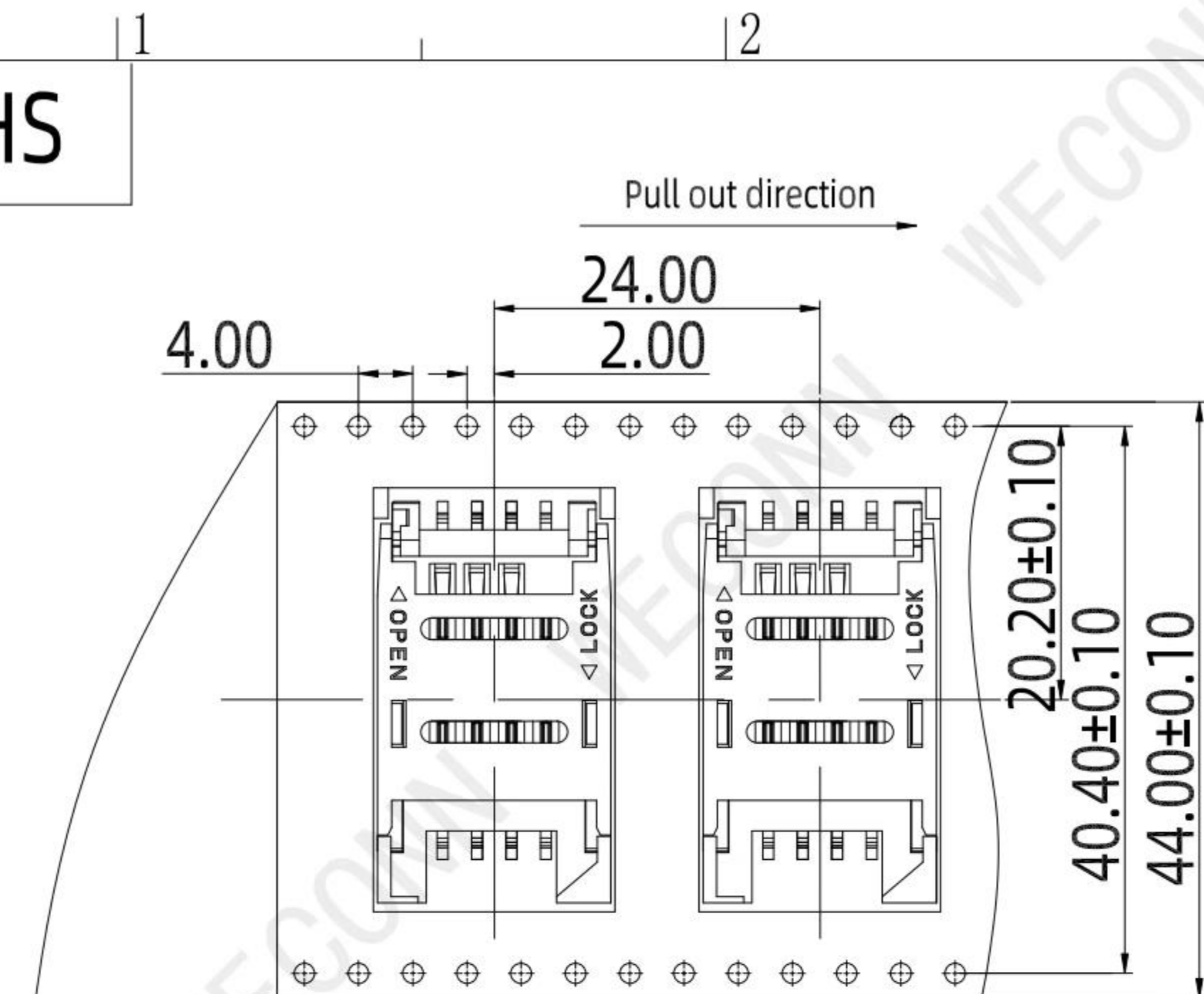
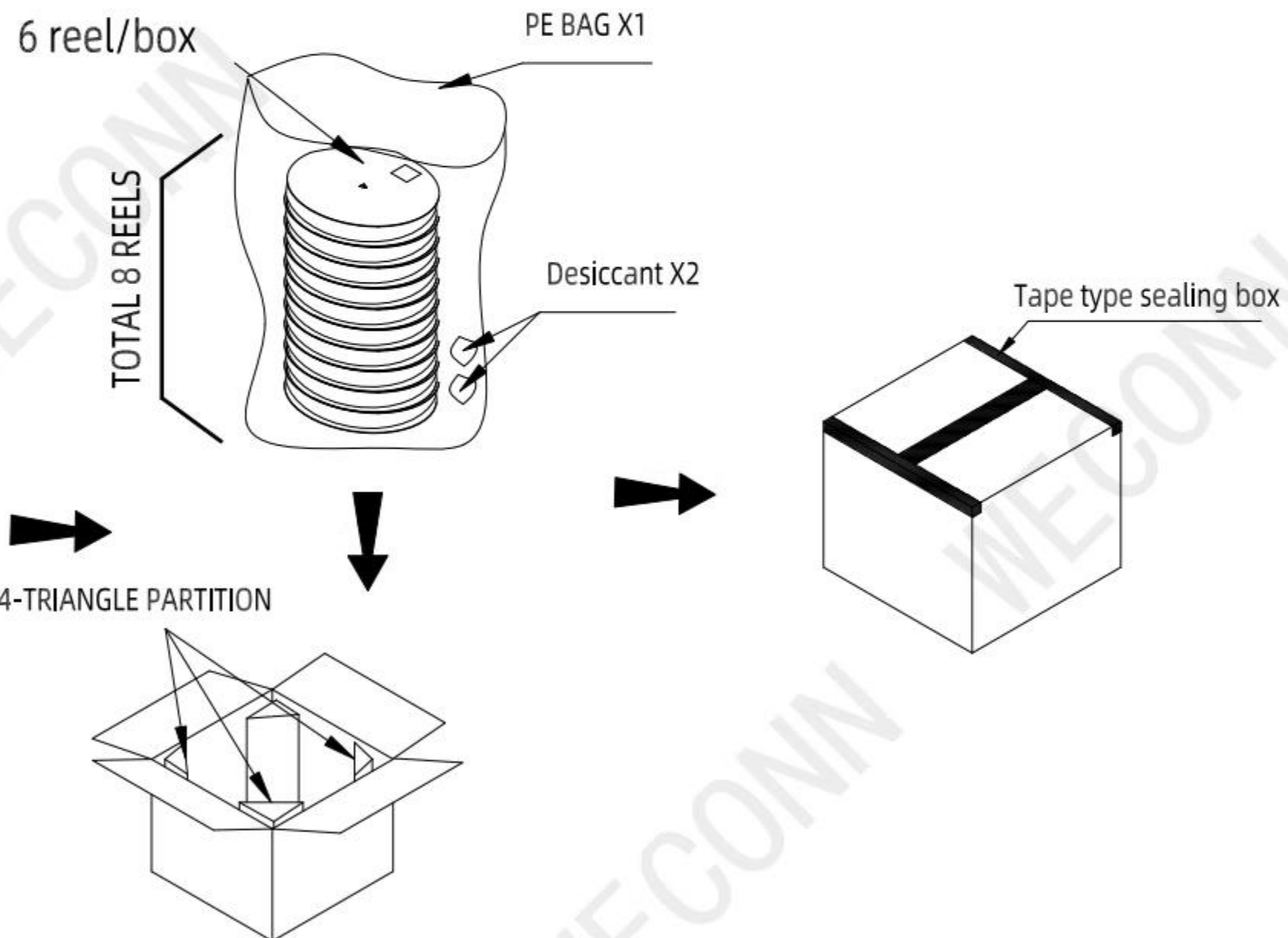
NOTES

- 1. NUMBER OF CONNECTORS:800PCS/REEL
- 2. LEAD TAPE LENGTH

COVER TAPE
(300mm Min)



3. QUANTITY:4800PCS/CARTON



MILLIMETERS	INCH	UNITS
X.° ± 2°	X.° ± 2°	MM
.X ± 0.30	.XX ± 0.012	MAT'L SEE NOTES
.XX ± 0.20	.XXX ± 0.008	FINISH SEE NOTES
.XXX ± 0.10	.XXXX ± 0.004	QTY SEE NOTES

THESE DRAWINGS AND PECIFICATION ARE Welink
ShenZhen Welink Electronics Co.,Ltd
COPIED OR USED IN ANY MANNER WITHOUT Welink
ShenZhen Welink Electronics Co.,Ltd

WECONN ® 深圳市微连电子有限公司 ShenZhen Welink Electronics Co.,Ltd		
PART NUMBER: WL-SIM180-103		TITLE: SIM卡座 翻盖式 6P 2.5H 全塑
DWG NO. : WL-SIM180-103		APPD: Cornelia
SCALE 1:1	SHEET 2/2	REV. A1
		CHKD: Mark
		DR: Michael