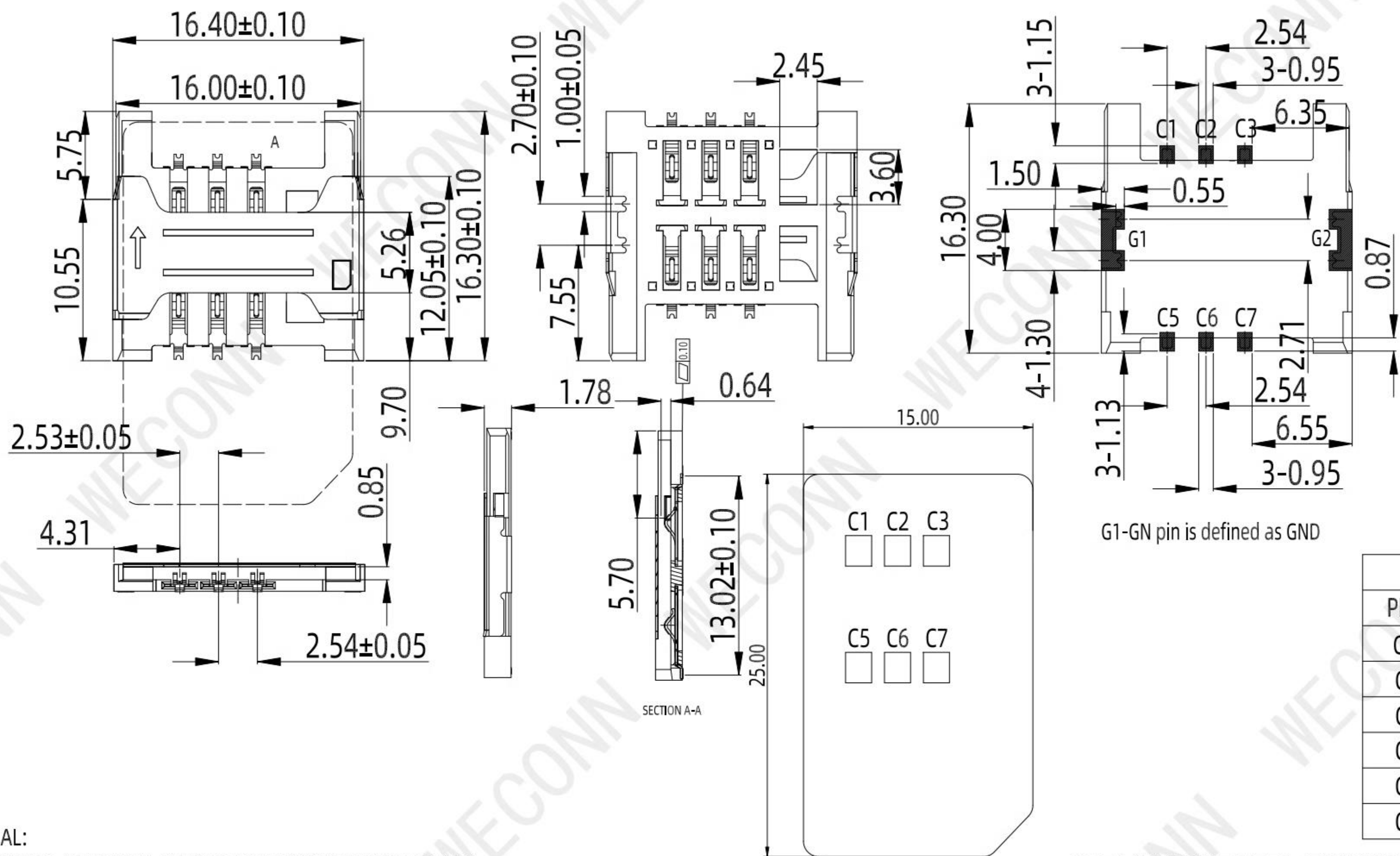


RoHS

REV.	EC#	DESCRIPTION	DATE	DRAWING	CHECKED	APPROVED
A0		NEW RELEASE	2018.02.27	Michael	Mark	Cornelia



G1-GN pin is defined as GND

SIM pin Assignment	
PIN#	Name
C1	VCC
C2	RST
C3	CLK
C5	GND
C6	VPP
C7	I/O

NOTES:

1. MATERIAL:

- 1.1 HOUSING: THERMOPLASTIC FLAMMABILITY RATING UL94V-0
- 1.2 CONTACT: COPPER ALLOY T=0.12mm
- 1.3 SHELL: STAINLESS STEEL T=0.15mm

2. FINISH:

- 2.1 CONTACT:
  - 3u"Min.Au PLATED ON CONTACT AREA
  - G/F PLATING ON SOLDER TAIL AREA
  - 50~80u" NICKEL UNDERPLATING OVERALL
- 2.2 SHELL
  - G/F PLATED ON SOLDER TAIL AREA
  - 50~80u" Ni PLATED UNDER.

3. SPECIFICATION:

- 3.1 CURRENT RATING: 0.5 A MAX.
- 3.2 VOLTAGE: 100 VAC
- 3.3 TEMPERATURE RANGE: -55 °C ~ 85 °C
- 3.4 CONTACT RESISTANCE: 50 MILLIONHM MAX.
- 3.5 DIELECTRIC WITHSTANDING VOLTAGE: 500 VAC r.m.s
- 3.6 INSULATION RESISTNACE: 1000 MEGOHMS MIN

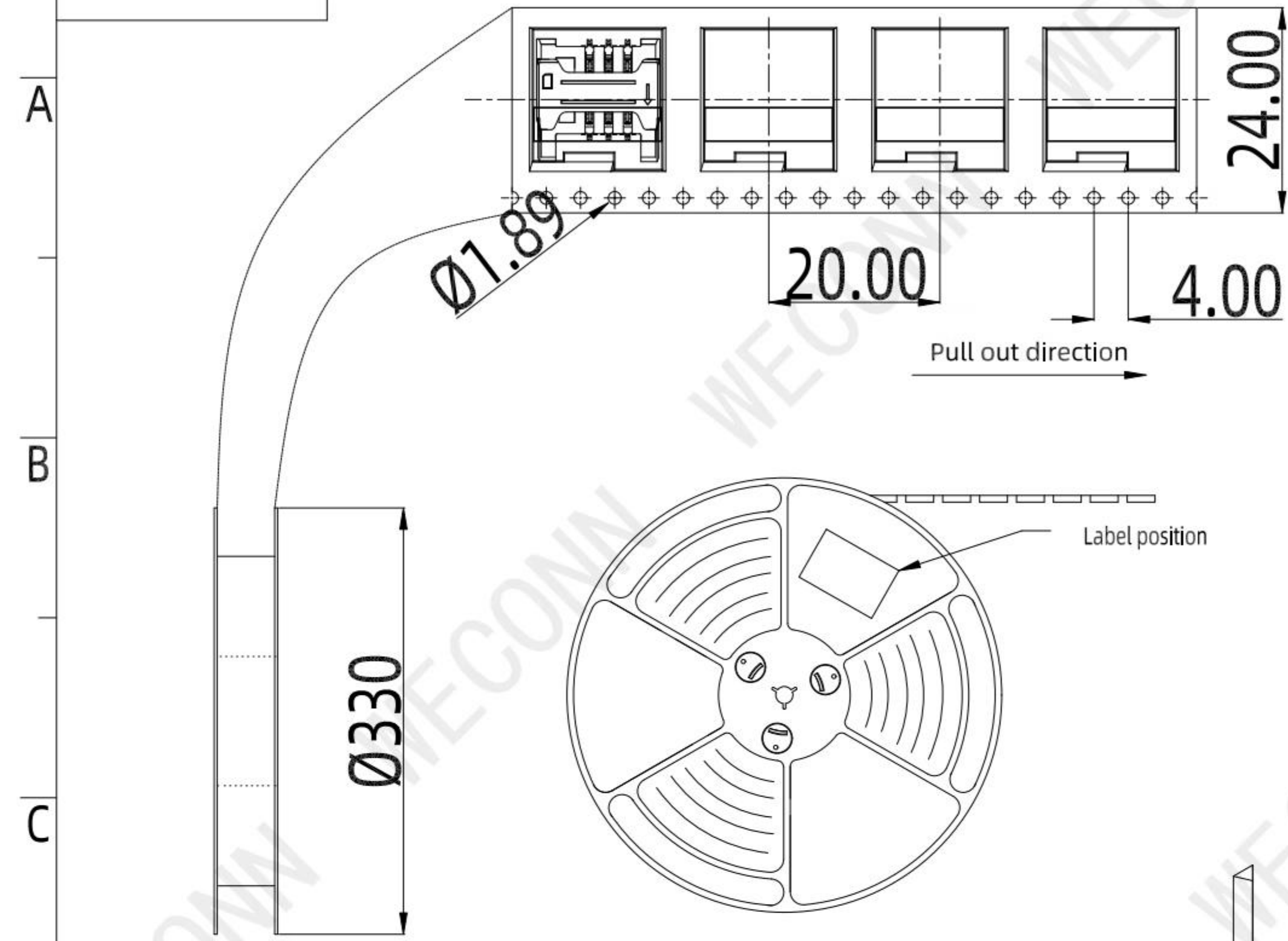
REFERENCE SIM CARD PLUG

PLEASE CONTACT WELINK SALES REPRESENTATIVE TO VERIFY PRODUCT DETAILS & AVAILABILITY

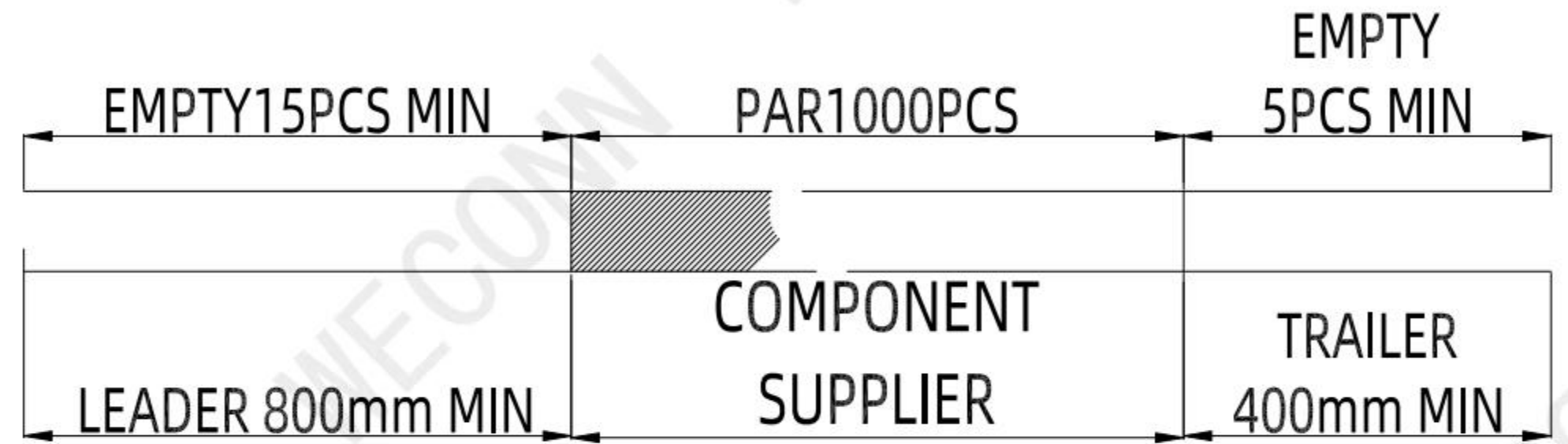
MILLIMETERS	INCH	UNITS	<b>WECONN</b> 深圳市微连电子有限公司 ShenZhen Welink Electronics Co.,Ltd			
X.° ± 2°	X.° ± 2°	MM	PART NUMBER:		TITLE:	
.X ± 0.30	.XX ± 0.012	MAT'L	WL-SIM180-160		SIM 卡座 插拔式 6P 1.8H 内焊	
.XX ± 0.20	.XXX ± 0.008	SEE NOTES	DWG NO.:		APPD:	Cornelia
.XXX ± 0.10	.XXXX ± 0.004	FINISH	WL-SIM180-160		CHKD:	Mark
SEE NOTES			SCALE	SHEET	REV.	DR:
THESE DRAWINGS AND PECIFICATION ARE Welink ShenZhen Welink Electronics Co.,Ltd COPIED OR USED IN ANY MANNER WITHOUT Welink ShenZhen Welink Electronics Co.,Ltd			1:1	1/2	A1	Michael

RoHS

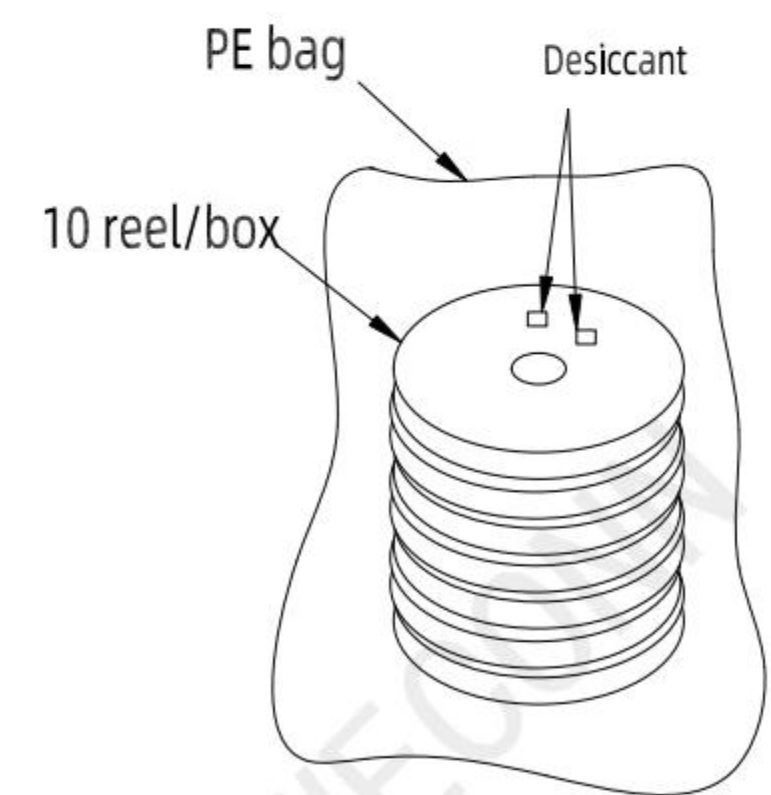
REV.	EC#	DESCRIPTION	DATE	DRAWING	CHECKED	APPROVED
A0		NEW RELEASE	2018.02.27	Michael	Mark	Cornelia



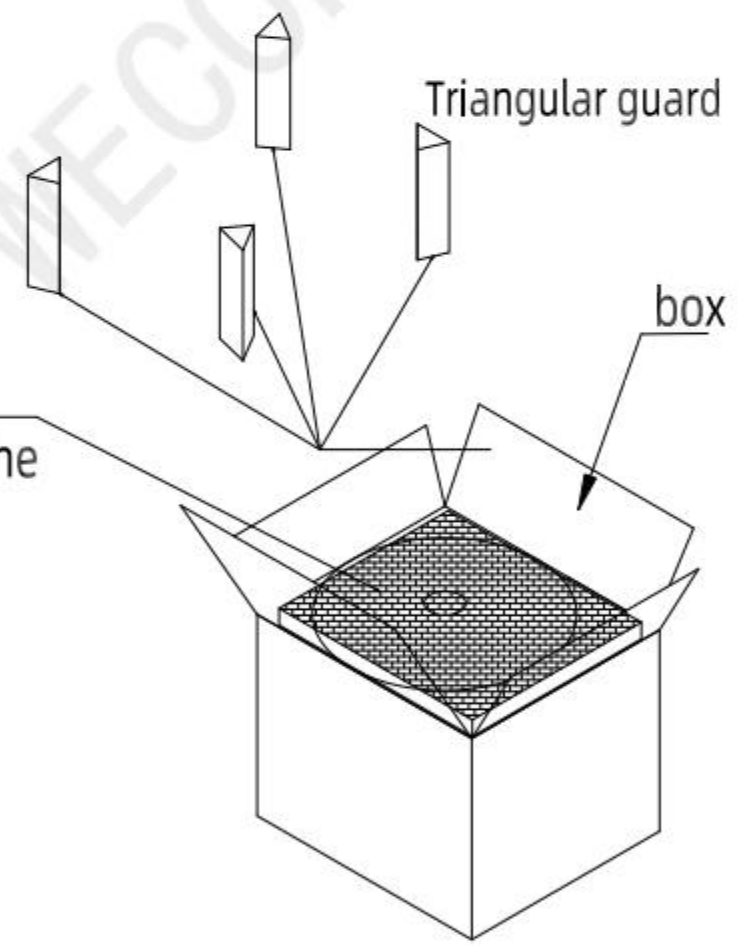
- NOTES
1. NUMBER OF CONNECTORS 1000PCS/REEL
  2. LEAD TAPE LENGTH



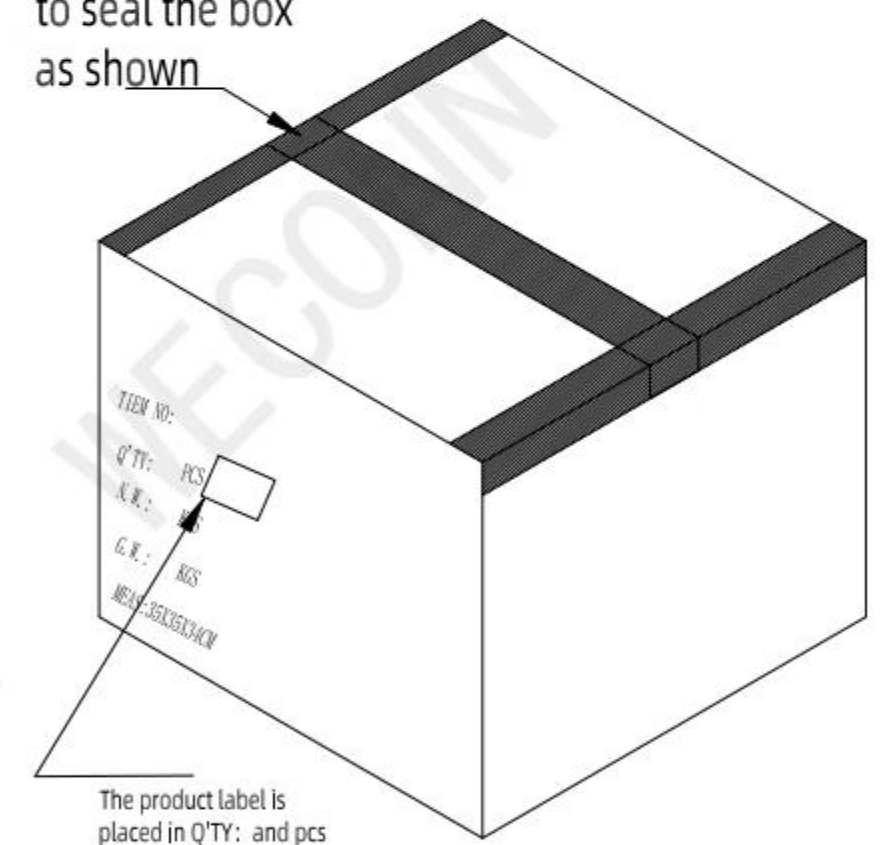
3. QUANTITY: 10000PCS/CARTON



Padded a piece of pearl cotton on the top and bottom of the carton



Use three tapes to seal the box as shown



MILLIMETERS	INCH	UNITS
X. <sup>o</sup> ± 2 <sup>o</sup>	X. <sup>o</sup> ± 2 <sup>o</sup>	MM
.X ± 0.30	.XX ± 0.012	MAT'L
.XX ± 0.20	.XXX ± 0.008	SEE NOTES
.XXX ± 0.10	.XXXX ± 0.004	FINISH
		SEE NOTES
		QTY
		SEE NOTES

**WECONN** 深圳市微连电子有限公司  
ShenZhen Welink Electronics Co.,Ltd

PART NUMBER: WL-SIM180-160	TITLE: SIM 卡座 插拔式 6P 1.8H 内焊
DWG NO.: WL-SIM180-160	APPD: Cornelia
SCALE: 1:1	CHKD: Mark
SHEET: 2/2	DR: Michael
REV: A1	

THESE DRAWINGS AND PECIFICATION ARE Welink ShenZhen Welink Electronics Co.,Ltd COPIED OR USED IN ANY MANNER WITHOUT Welink ShenZhen Welink Electronics Co.,Ltd