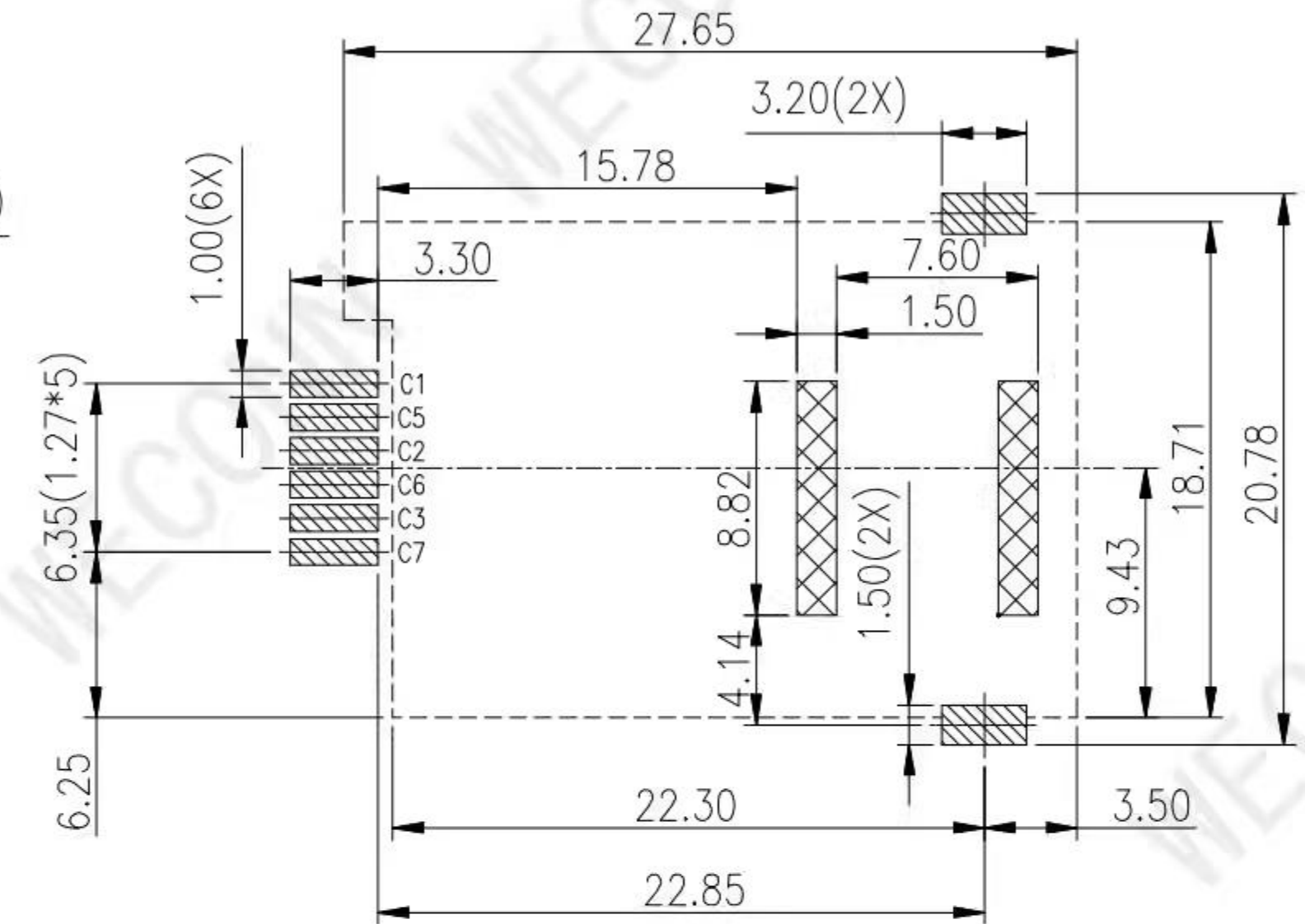
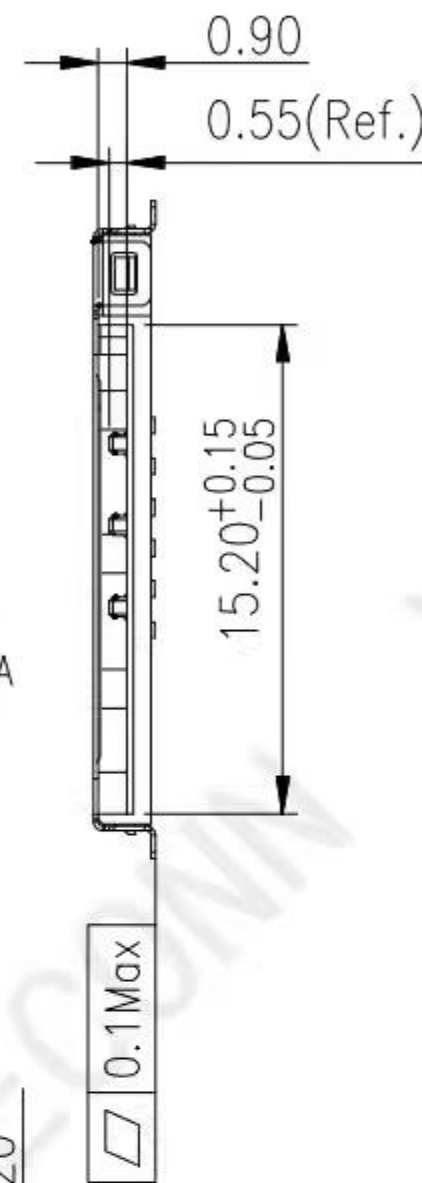
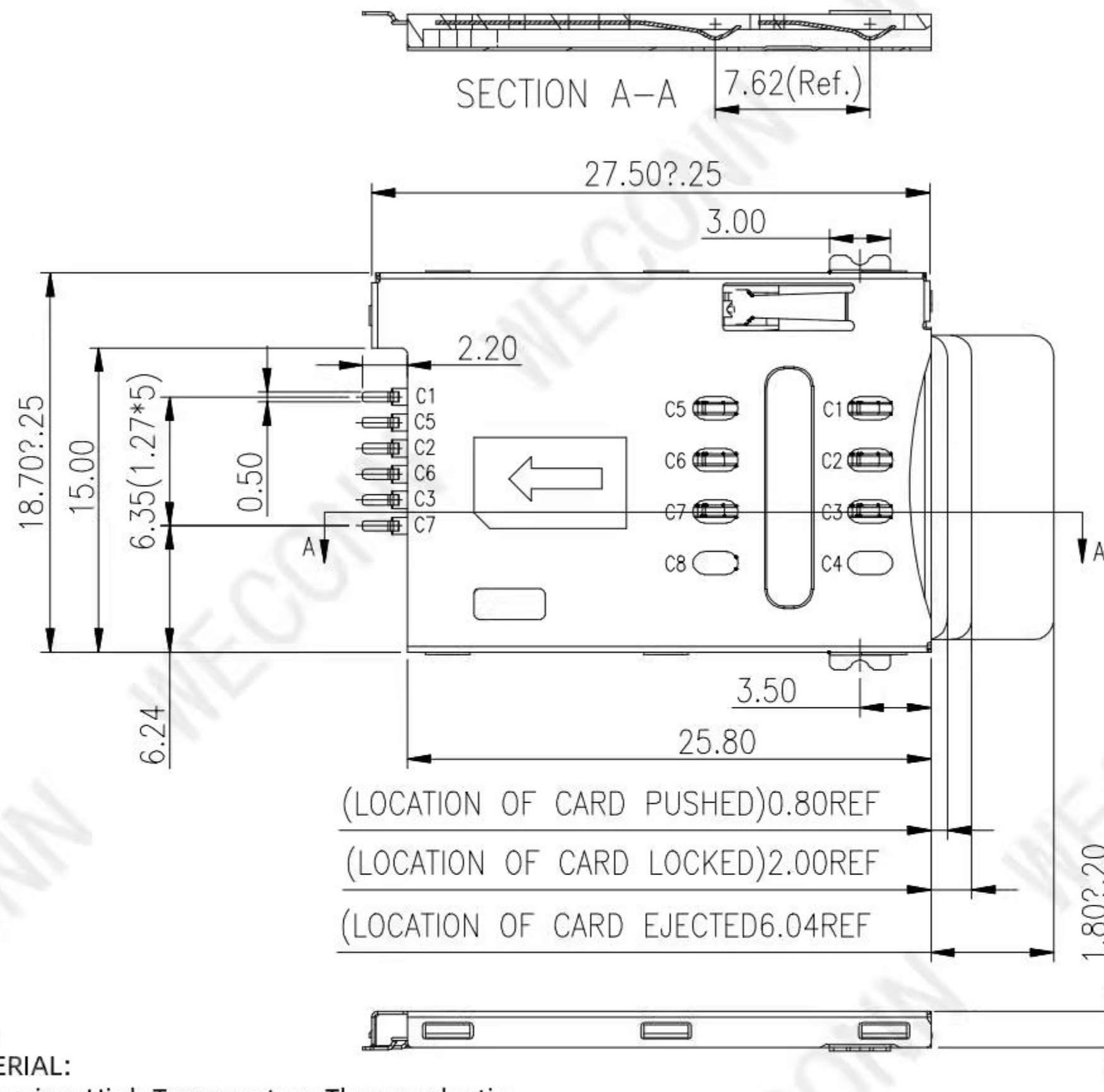


RoHS

REV.	EC#	DESCRIPTION	DATE	DRAWING	CHECKED	APPROVED
A0		NEW RELEASE	2019.06.17	Michael	Mark	Cornelia



RECOMMENDED P.C.B LAYOUT  
COMPONENT SIDE(TOLERANCE ±0.05)

- PAD AREA
- KEEP AREA
- KEEP OUT AREA

NOTES:

1. MATERIAL:

1.1 Housing:High Temperature Thermoplastic  
UL94V-0; Color Black.

1.2 Terminal:Copper Alloy.

1.3 Shell:Stainless Steel.

2. SPECIALITY:

2.1 Rated current:1.0A

2.2 Rated voltage:50V

2.3 Contact Resistance:50mΩ MAX

2.4 Insulation Resistance:1000MΩ MIN 500V DC

2.5 Dielectric withstanding voltage: 500V AC.

2.6 Solder ability:255±5°C, 5±0.5s.

2.7 Durability:5000 Cycles Min.

2.8 Operating condition:Temperature-40°C~+85°C;  
Humidity 80% R.H MAX

PLEASE CONTACT WELINK SALES REPRESENTATIVE  
TO VERIFY PRODUCT DETAILS & AVAILABILITY

ITEM	PART NAME	Q'TY	MATERIAL	FINISH
1	HOUSING	1	Hi-temp Thermoplastic	Black UL94V-0
2	SHELL	1	Stainless Steel	SMT area:Gold plated
3	DATA CONTACT	1	Copper Alloy	Contact area:Gold 300*plated
4	HEART CAM	1	Hi-temp Thermoplastic	Black UL94V-0
5	COLL SPRING	1	SWP.	

MILLIMETERS	INCH	UNITS
X. ± 0.2	X.° ± 5°	MM
.X ± 0.15	.X° ± 2°	MAT'L SEE NOTES
.XX ± 0.1	.XX° ± 1°	FINISH SEE NOTES
.XXX± 0.01	.XXX° ± 0.5°	QTY SEE NOTES

**WELINK** 深圳市微连电子有限公司  
**ShenZhen Welink Electronics Co.,Ltd**

PART NUMBER: WL-SIM719-001  
TITLE: SIM卡座 自弹式 6P

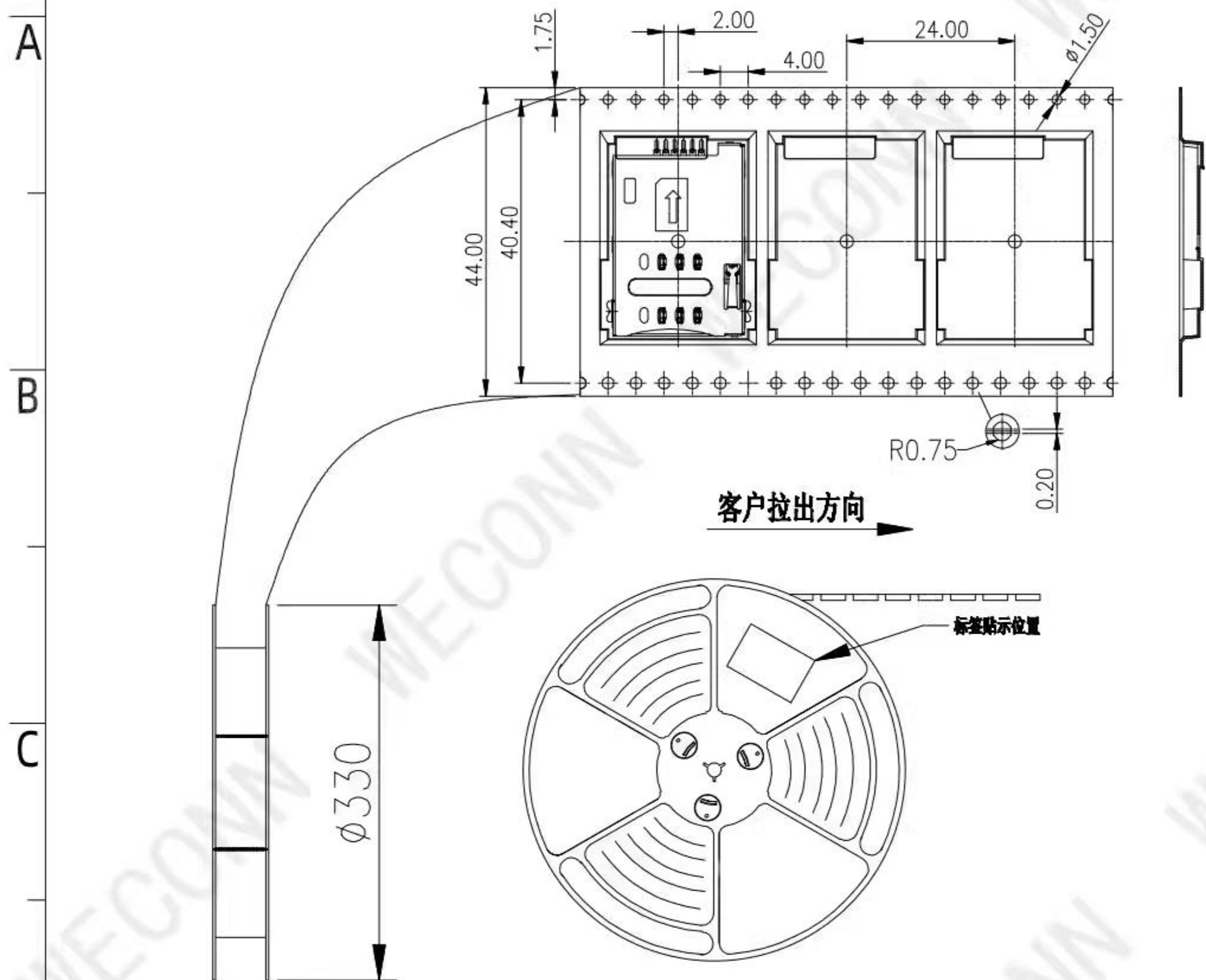
DWG NO.: WL-SIM719-001  
APPD: Cornelia

SCALE: 1:1 SHEET: 1/2 REV: A1  
CHKD: Mark

DR: Michael

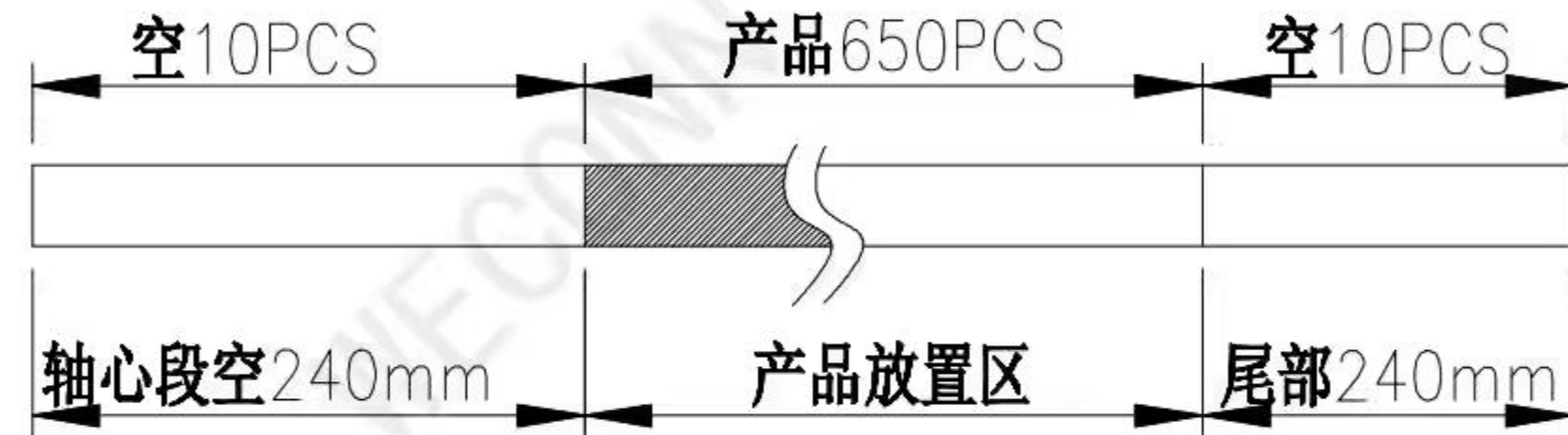
RoHS

REV.	EC#	DESCRIPTION	DATE	DRAWING	CHECKED	APPROVED
A0		NEW RELEASE	2019.06.17	Michael	Mark	Cornelia

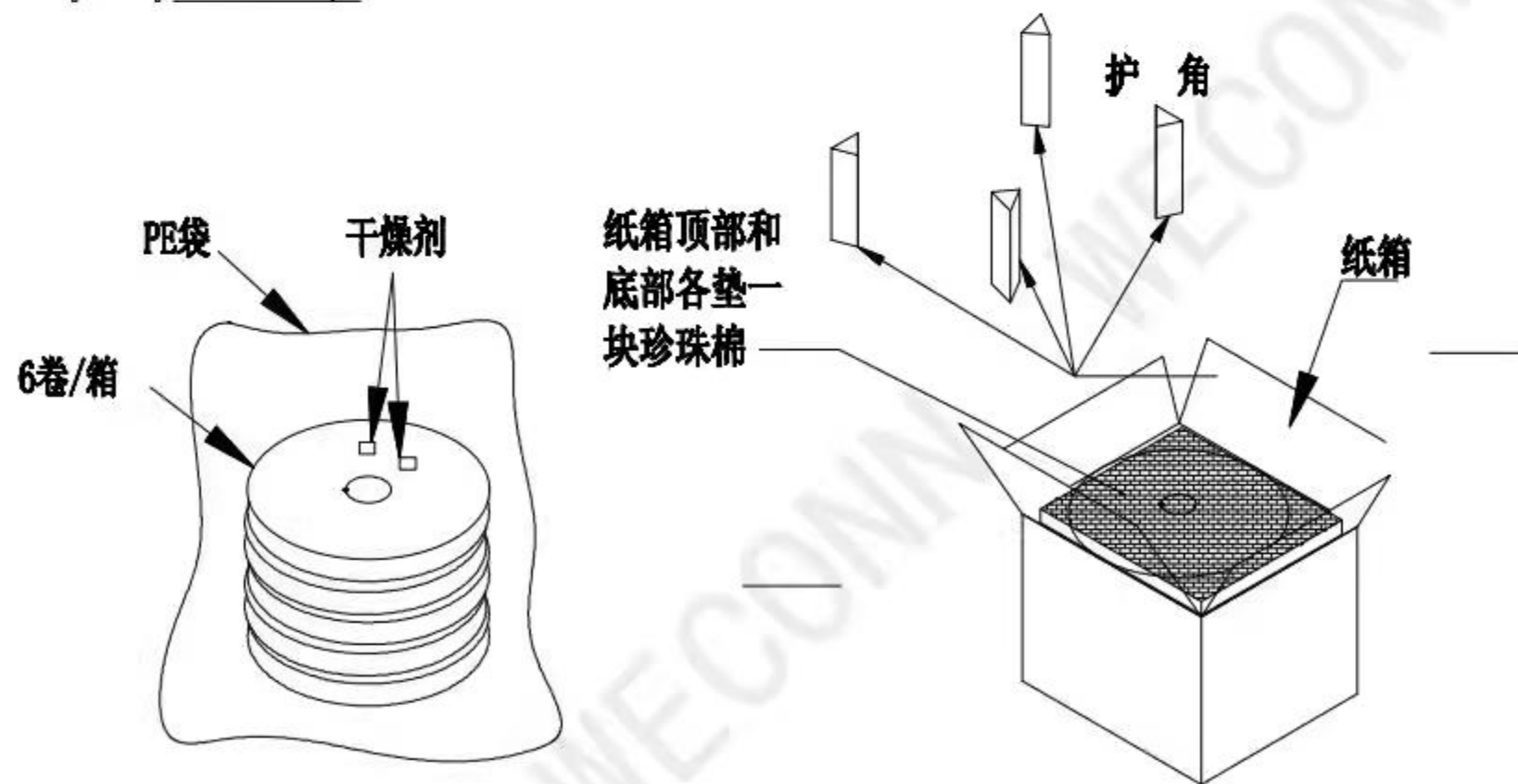
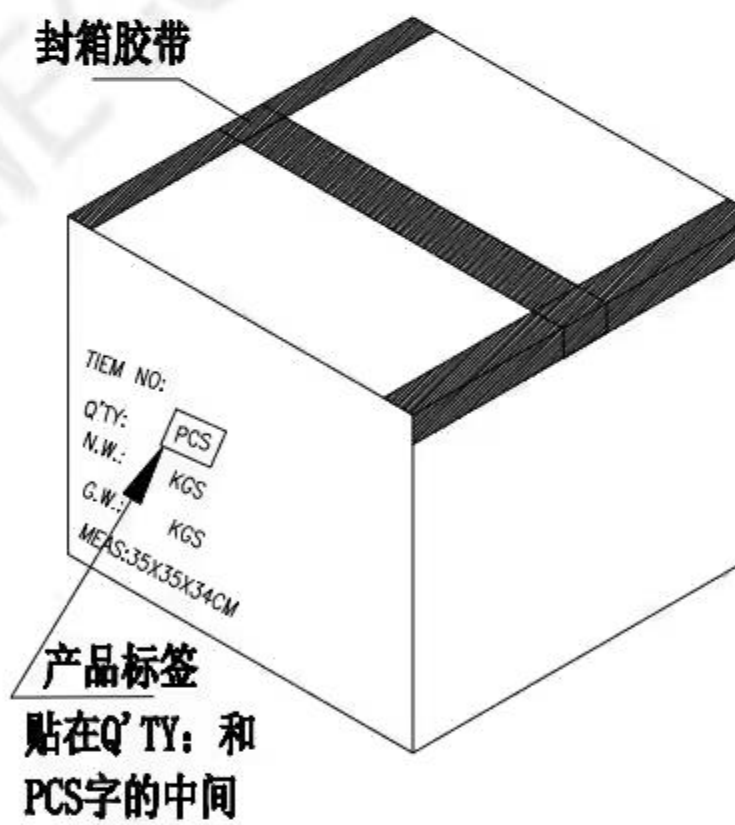


NOTES

1. 每卷包装数量:650PCS/每卷
2. 卷带包装方式:



3. 每箱包装数量:3900PCS/箱



MILLIMETERS	INCH	UNITS
X. ± 0.2	X.° ± 5°	MM
.X ± 0.15	.X° ± 2°	MAT'L
.XX ± 0.1	.XX° ± 1°	SEE NOTES
.XXX ± 0.01	.XXX° ± 0.5°	FINISH
THESE DRAWINGS AND SPECIFICATION ARE Welink ShenZhen Welink Electronics Co.,Ltd COPIED OR USED IN ANY MANNER WITHOUT Welink ShenZhen Welink Electronics Co.,Ltd		SEE NOTES

**WECONN**® 深圳市微连电子有限公司  
ShenZhen Welink Electronics Co.,Ltd

PART NUMBER: WL-SIM719-001		TITLE: SIM卡座 自弹式 6P	
DWG NO.: WL-SIM719-001		APPD: Cornelia	CHKD: Mark
SCALE 1:1	SHEET 2/2	REV. A1	DR: Michael