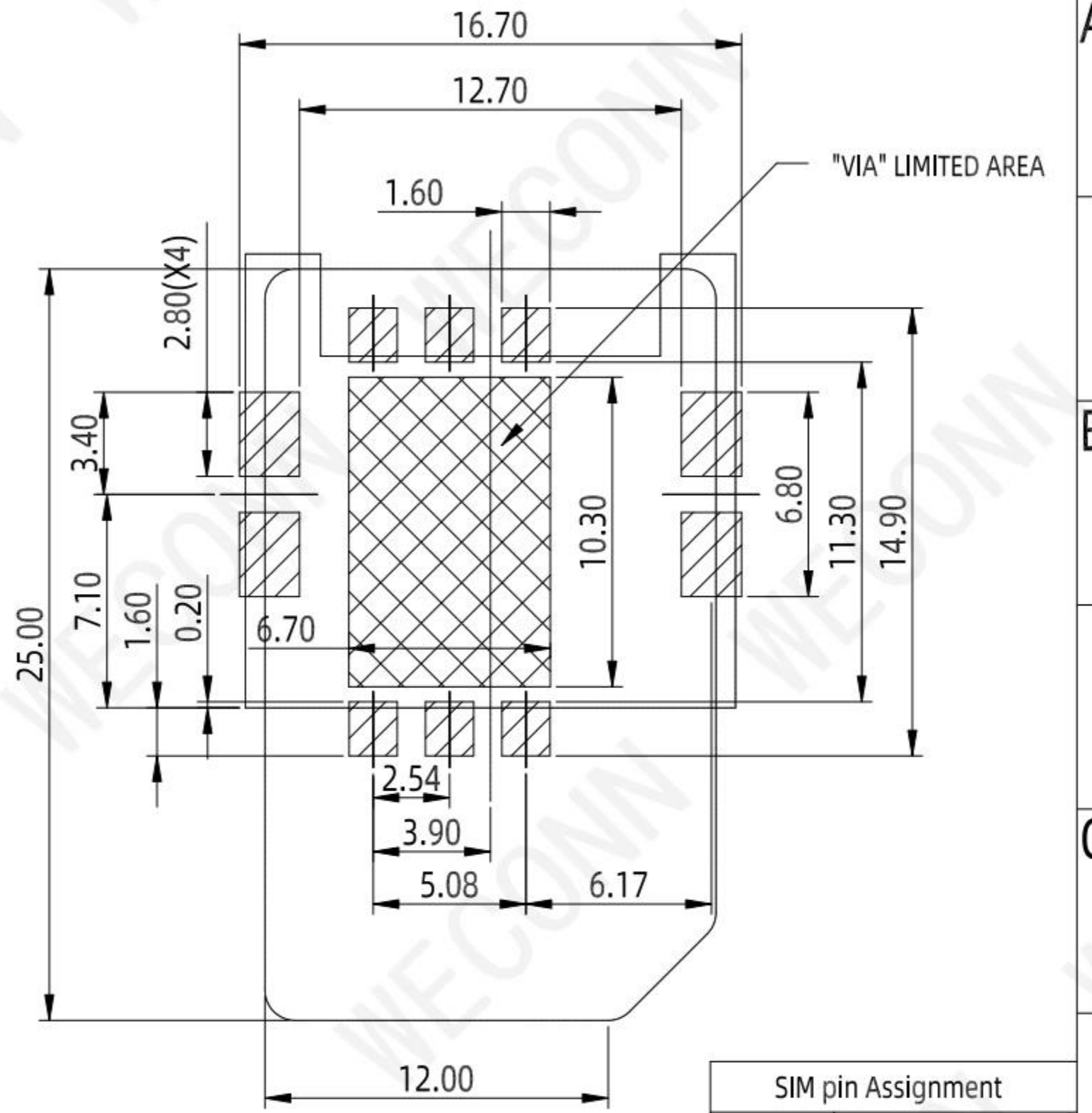
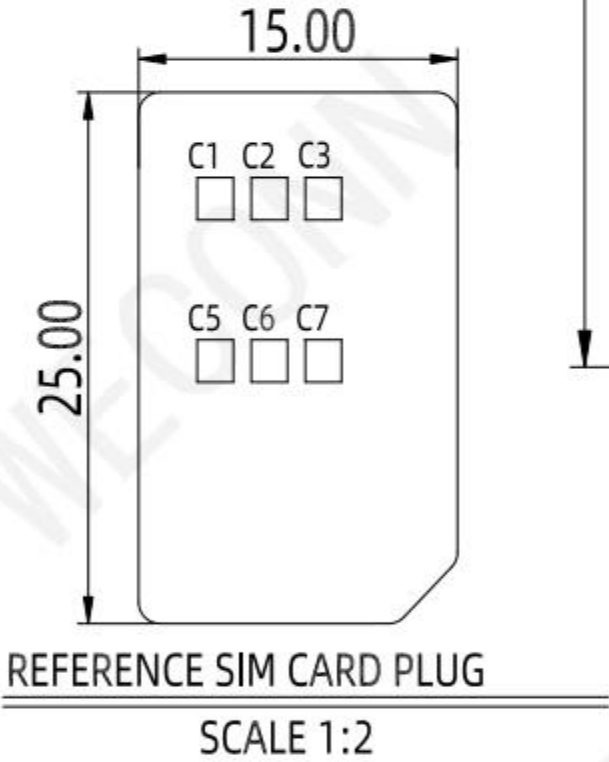
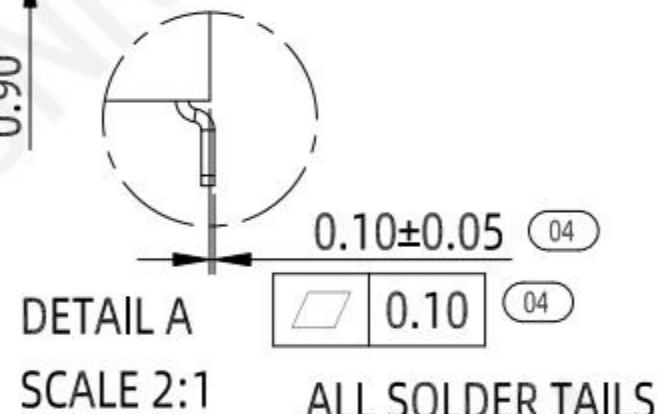
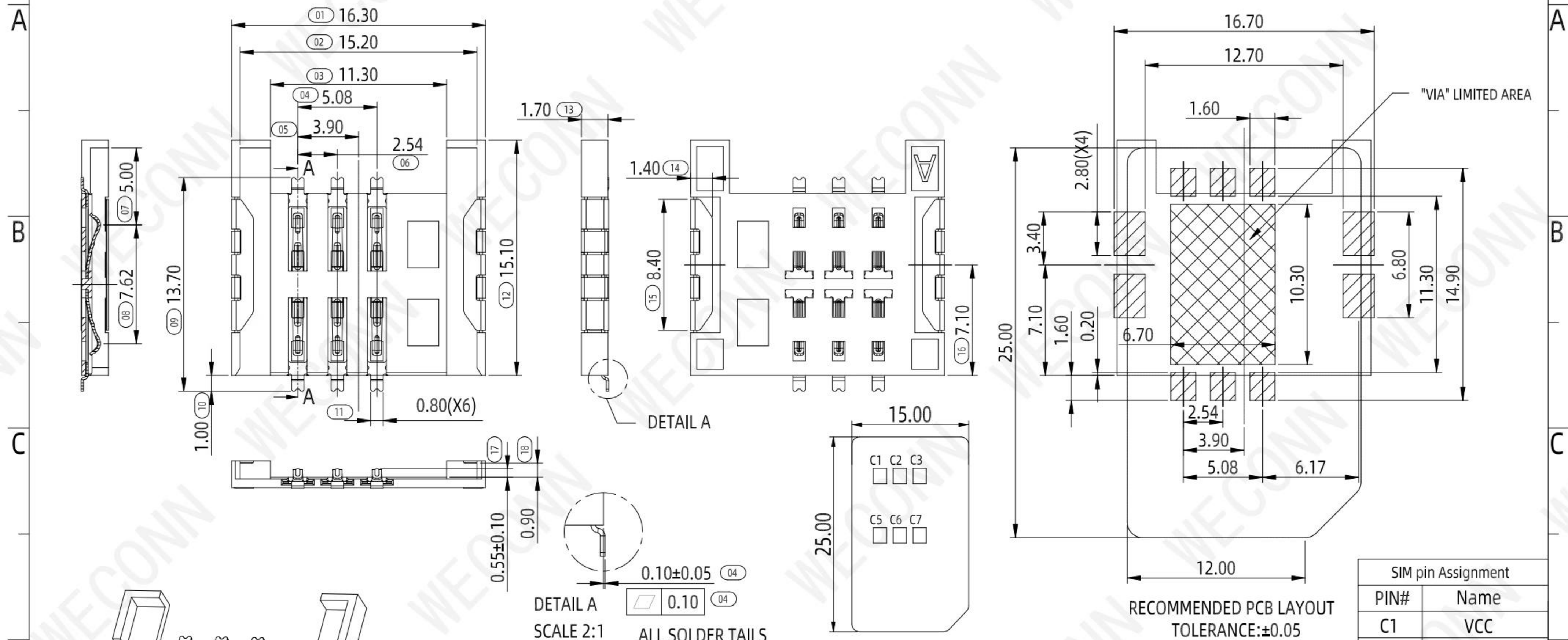


RoHS

| REV. | EC# | DESCRIPTION | DATE       | DRAWING | CHECKED | APPROVED |
|------|-----|-------------|------------|---------|---------|----------|
| A0   |     | NEW RELEASE | 2022.08.17 | Michael | Mark    | Cornelia |



| SIM pin Assignment |      |
|--------------------|------|
| PIN#               | Name |
| C1                 | VCC  |
| C2                 | RST  |
| C3                 | CLK  |
| C5                 | GND  |
| C6                 | VPP  |
| C7                 | I/O  |

- NOTES:
- MATERIAL:
    - HOUSING: HI-TEMP PLASTIC,UL94V-0,BLACK
    - TERMINAL: COPPER ALLOY,T=0.15mm
    - LATCH: STAINLESS STEEL,T=0.15mm
  - FINISH :
    - TERMIANL: PLATED AU OVER ALL, UNDERPLATED NICKEL.
    - LATCH: PLATED AU OVER ALL, UNDERPLATED NICKEL.
  - OP. Temperature: -40°C~+85°C

PLEASE CONTACT WELINK SALES REPRESENTATIVE TO VERIFY PRODUCT DETAILS & AVAILABILITY

| MILLIMETERS | INCH         | UNITS     |
|-------------|--------------|-----------|
| X. ± 0.2    | X.° ± 5°     | MM        |
| .X ± 0.15   | .X° ± 2°     | MAT'L     |
| .XX ± 0.1   | .XX° ± 1°    | SEE NOTES |
| .XXX± 0.01  | .XXX° ± 0.5° | FINISH    |
|             |              | SEE NOTES |
|             |              | QTY       |
|             |              | SEE NOTES |

**WECONN** 深圳市微连电子有限公司  
ShenZhen Welink Electronics Co.,Ltd

PART NUMBER: WL-SIM170-006 TITLE: SIM CARD 6P H1.7

DWG NO.: WL-SIM170-006

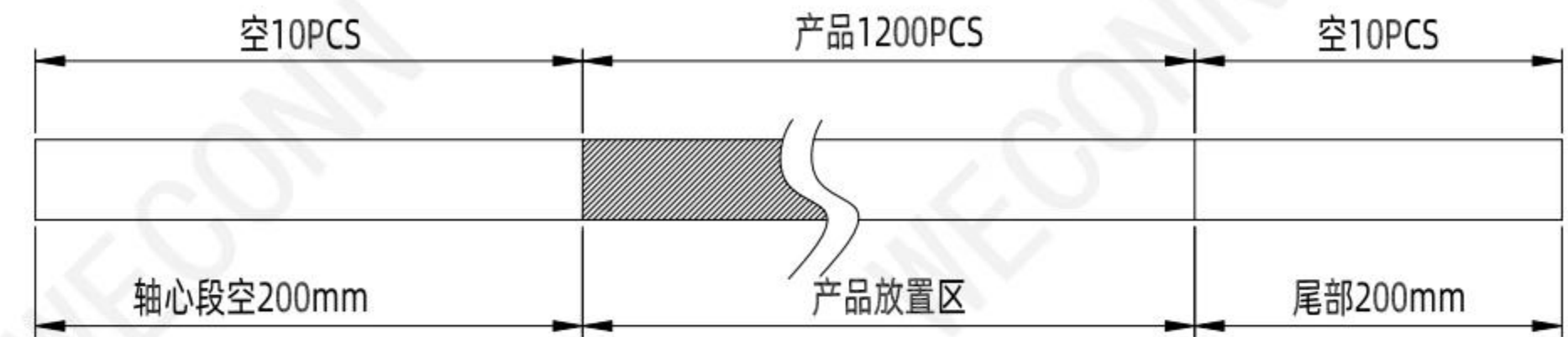
|       |       |      |       |          |
|-------|-------|------|-------|----------|
| SCALE | SHEET | REV. | APPD: | Cornelia |
| 1:1   | 1/2   | A1   | CHKD: | Mark     |
|       |       |      | DR:   | Michael  |

RoHS

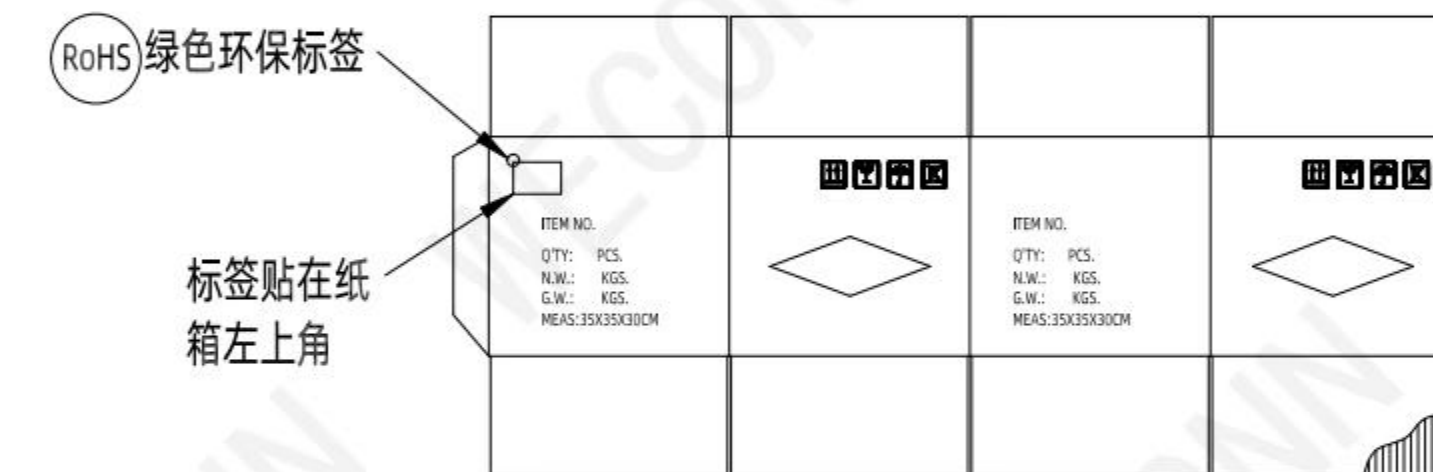
| REV. | EC# | DESCRIPTION | DATE       | DRAWING | CHECKED | APPROVED |
|------|-----|-------------|------------|---------|---------|----------|
| A0   |     | NEW RELEASE | 2022.08.17 | Michael | Mark    | Cornelia |

NOTES

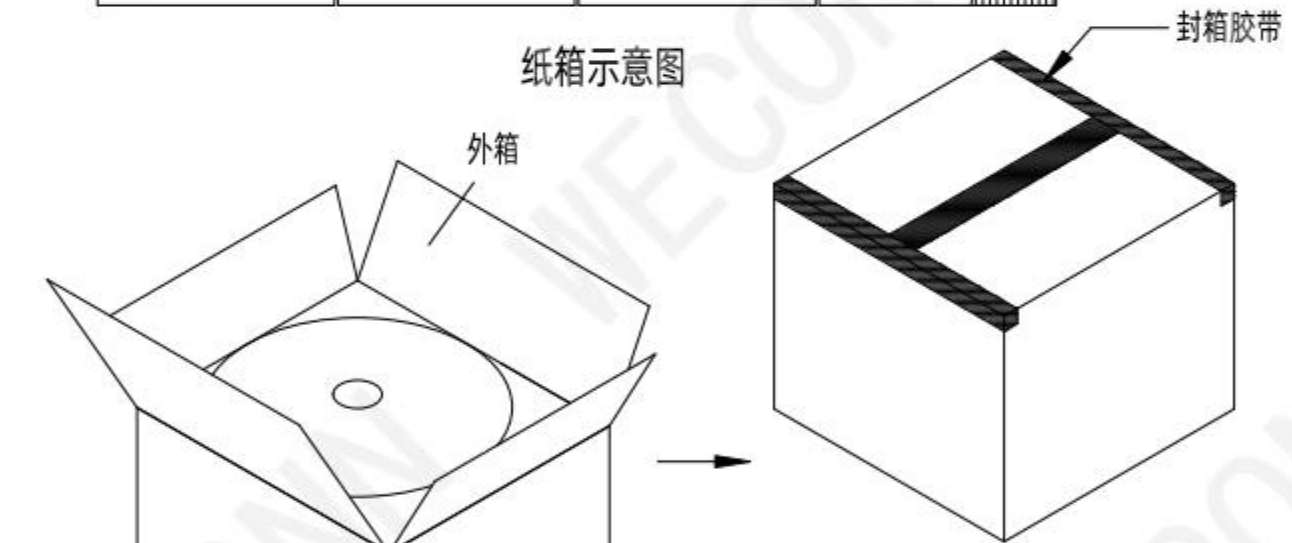
- 1.每卷包装数量:1200PCS/每卷
- 2.卷带包装方式:



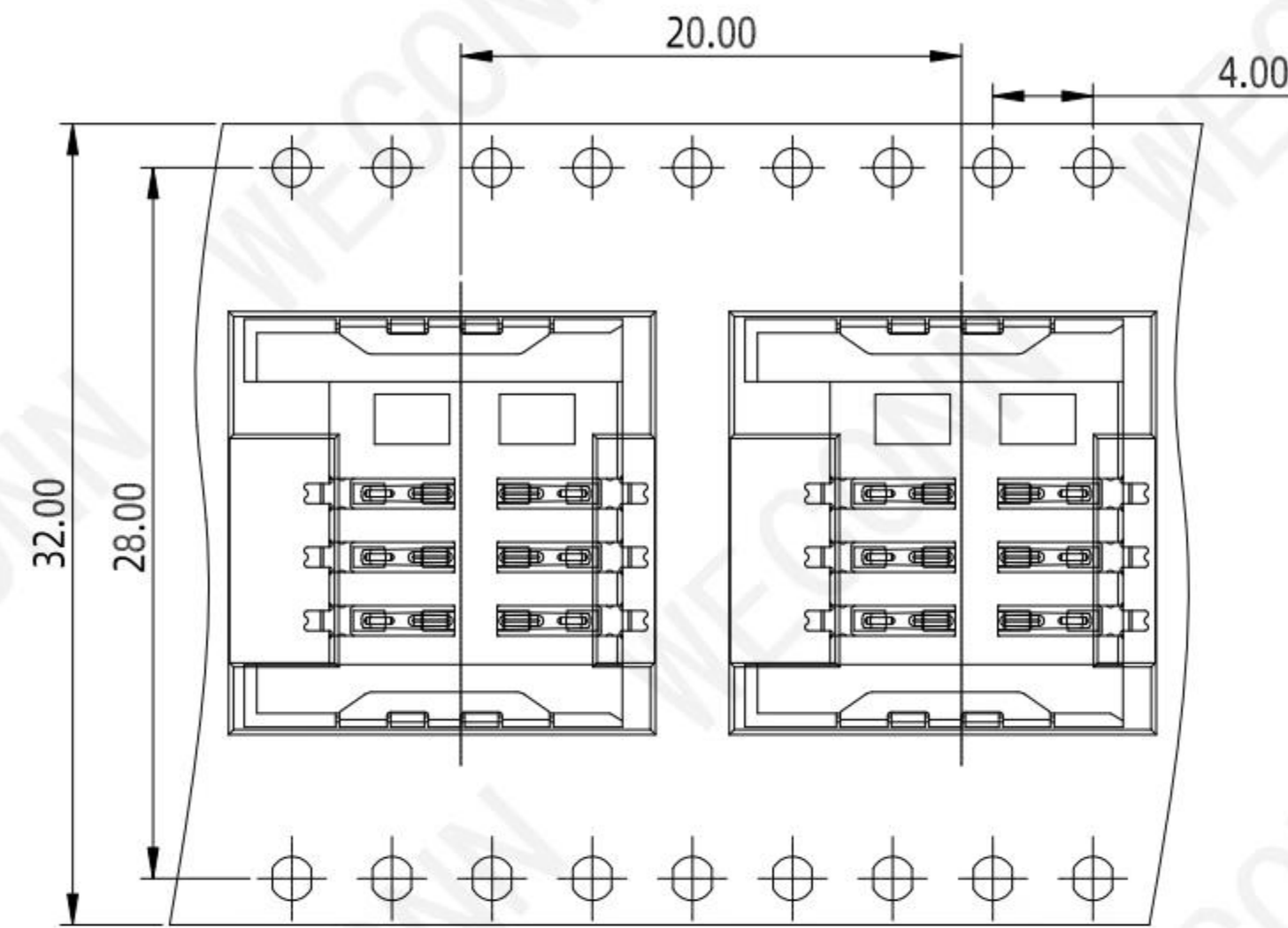
3.每箱包装数量:7200PCS/箱



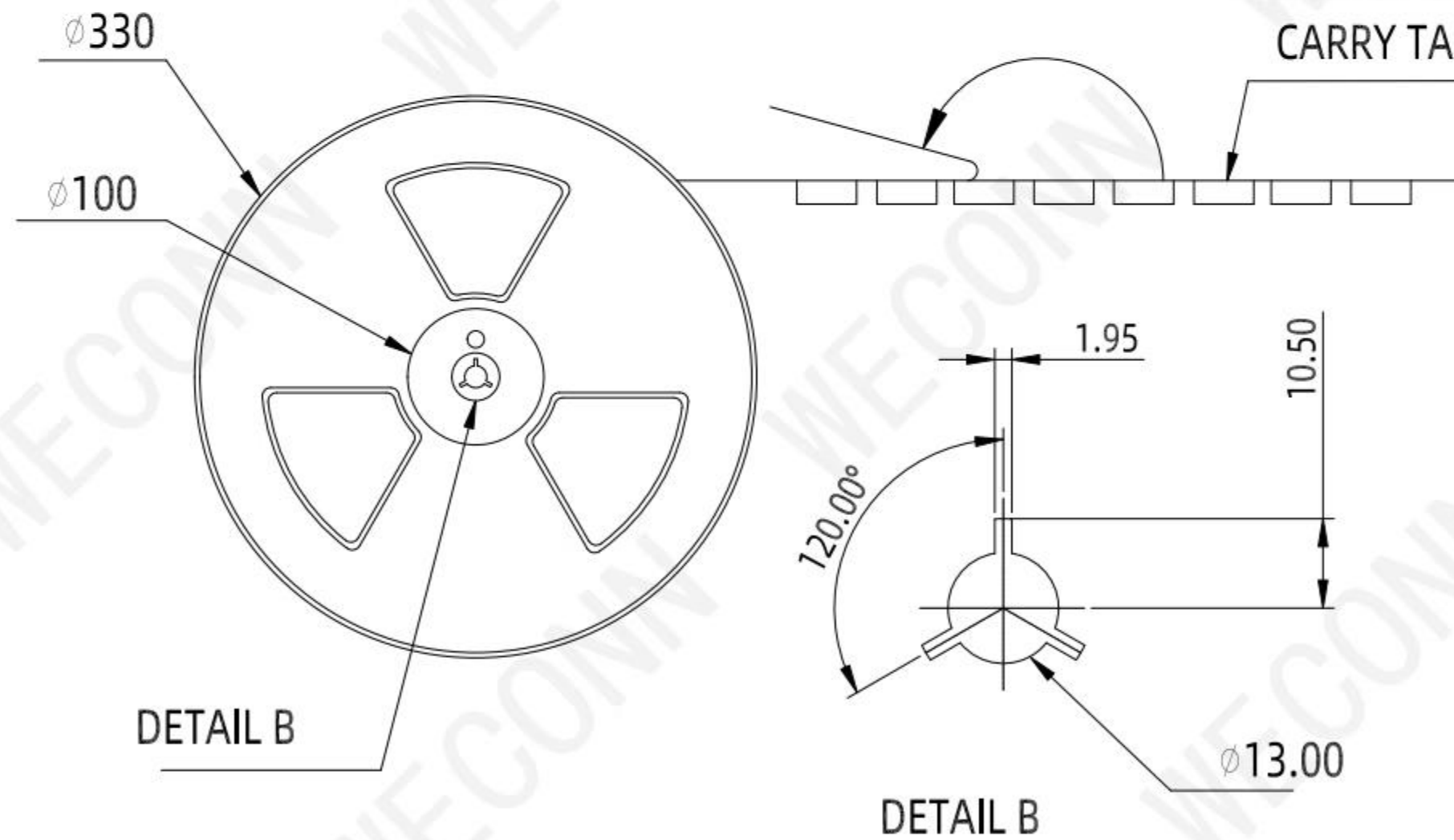
纸箱示意图



将6卷产品放入箱内



COVER TAPE PEELING ANGLE: 165°~180°  
PEELING FORCE: 30~100g  
CARRY TAPE



DETAIL B

DETAIL B

| 1    | 1200     | 9           | 10.8K      | 35*35*34    |
|------|----------|-------------|------------|-------------|
| ITEM | QTY/REEL | REEL/CARTON | QTY/CARTON | CARTON SIZE |

| MILLIMETERS  | INCH         | UNITS     | WECONN® 深圳市微连电子有限公司<br>ShenZhen Welink Electronics Co.,Ltd |           |                  |  |
|--|--------------|-----------|--|-----------|------------------|--|
| X. ± 0.2   | X.° ± 5°     | MM        | PART NUMBER:   |           | TITLE:           |  |
| .X ± 0.15  | .X° ± 2°     | MAT'L     | WL-SIM170-006  |           | SIM CARD 6P H1.7 |  |
| .XX ± 0.1  | .XX° ± 1°    | SEE NOTES | DWG NO.:   |           | APPD: Cornelia   |  |
| .XXX ± 0.01  | .XXX° ± 0.5° | FINISH    | WL-SIM170-006  |           | CHKD: Mark       |  |
| SEE NOTES  |              |           | SCALE  |           | DR: Michael      |  |
| THESE DRAWINGS AND PECIFICATION ARE Welink ShenZhen Welink Electronics Co.,Ltd COPIED OR USED IN ANY MANNER WITHOUT Welink ShenZhen Welink Electronics Co.,Ltd |              |           | 1:1  | SHEET 2/2 | REV. A1          |  |
|  |              |           | QTY SEE NOTES  |           |                  |  |