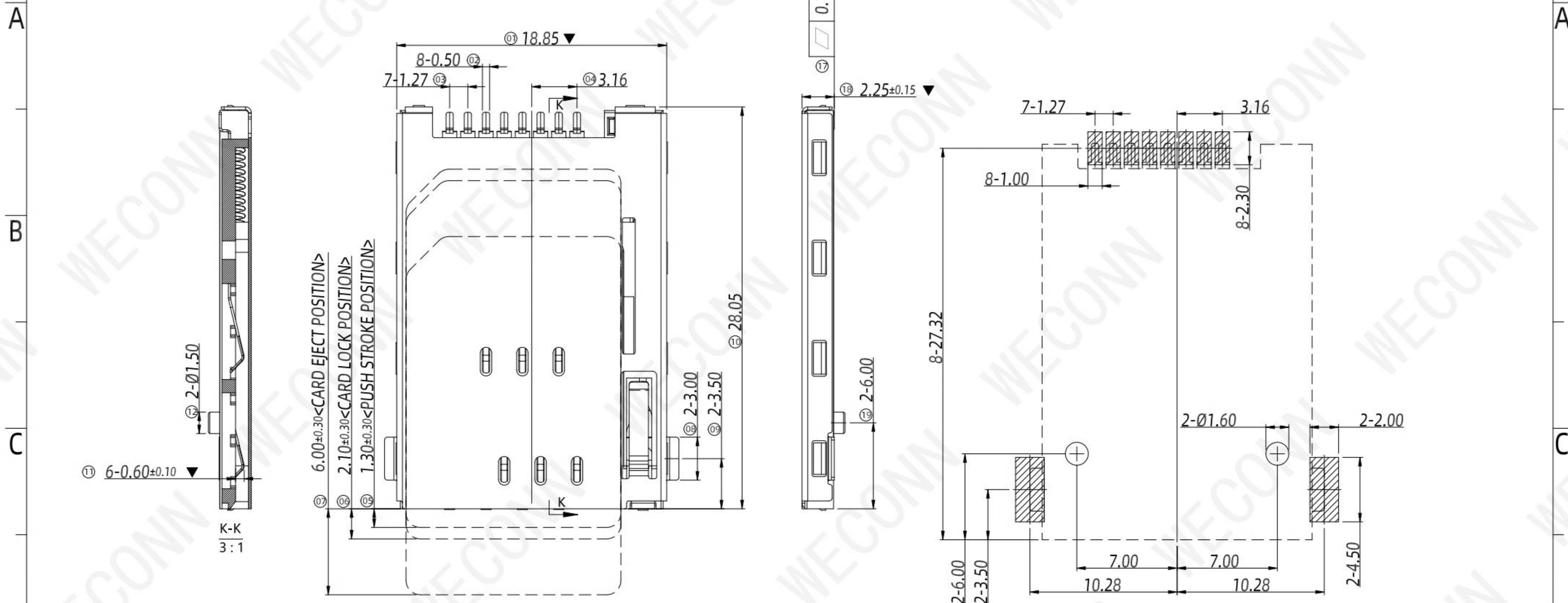


RoHS

| REV. | EC# | DESCRIPTION | DATE       | DRAWING | CHECKED | APPROVED |
|------|-----|-------------|------------|---------|---------|----------|
| A0   |     | NEW RELEASE | 2022.12.09 | Michael | Mark    | Cornelia |



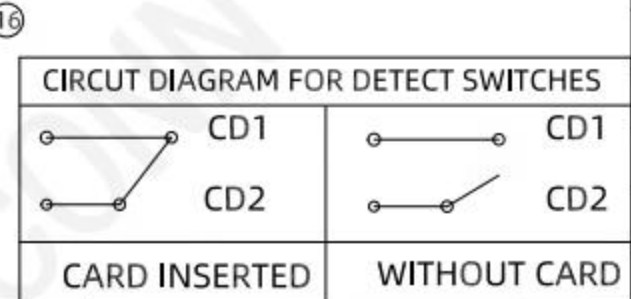
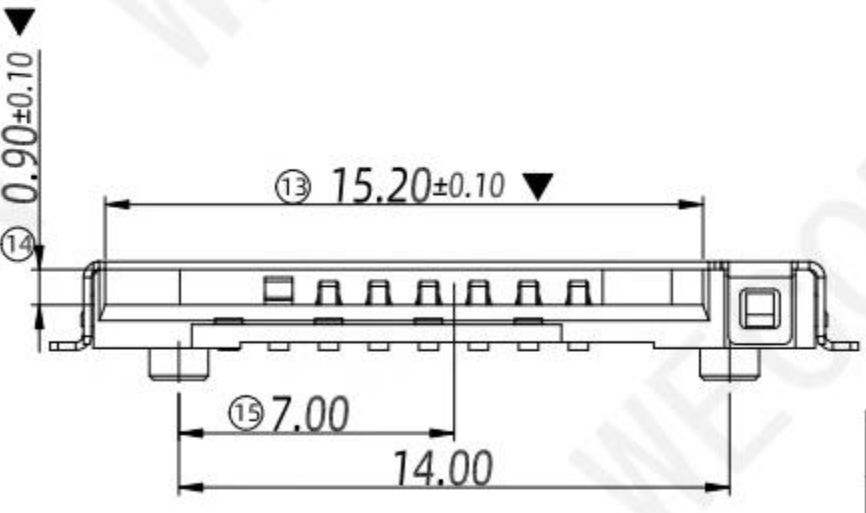
RECOMMENDED PCB LAYOUT

TOLERANCE: ±0.05

▨ SMT SOLDER AREA

PLEASE CONTACT WELINK SALES REPRESENTATIVE TO VERIFY PRODUCT DETAILS & AVAILABILITY

- NOTES:
- MATERIAL:  
HOUSING: High Temperature Thermoplastic  
Terminal: Copper Alloy  
Shell: Stainless Steel
  - PLATING:  
Terminal: 50u" Ni UNDERPLATED OVERALL  
G/F PLATED ON CONTACT AREA  
100u" Tin PLATED ON SOLDER AREA  
Shell: 50u" Ni UNDERPLATED OVERALL  
G/F PLATED ON CONTACT AREA AND SOLDER AREA
  - TECHNICAL SPECIALITY:  
RATED VOLTAGE: 30V AC MAX.  
CURRENT RATING: 0.5A MAX.  
INSULATION RESISTANCE: 1000MΩ MIN  
CONTACT RESISTANCE: 50mΩ MAX  
WITHSTANDING VOLTAGE: 500V AC FOR 1 MINUTES  
OPERATING TEMPERATURE: -40°C ~ +85°C Humidity 80% R.H MAX



| PIIN/NO | ASSIGNMENT  |
|---------|-------------|
| C1      | VCC         |
| C2      | RST         |
| C3      | CLK         |
| C5      | GND         |
| C6      | VPP         |
| C7      | I/O         |
| SW1     | CD SW LOWER |
| SW2     | CD SW UPER  |

| MILLIMETERS | INCH          |
|-------------|---------------|
| X° ± 2°     | X° ± 2°       |
| .X ± 0.30   | .XX ± 0.012   |
| .XX ± 0.20  | .XXX ± 0.008  |
| .XXX ± 0.10 | .XXXX ± 0.004 |

UNITS: MM

MAT'L: SEE NOTES

FINISH: SEE NOTES

QTY: SEE NOTES

THESE DRAWINGS AND SPECIFICATION ARE WELINK SHENZHEN WELINK ELECTRONICS CO.,LTD COPIED OR USED IN ANY MANNER WITHOUT WELINK SHENZHEN WELINK ELECTRONICS CO.,LTD

**WECONN** 深圳市微连电子有限公司  
ShenZhen Welink Electronics Co.,Ltd

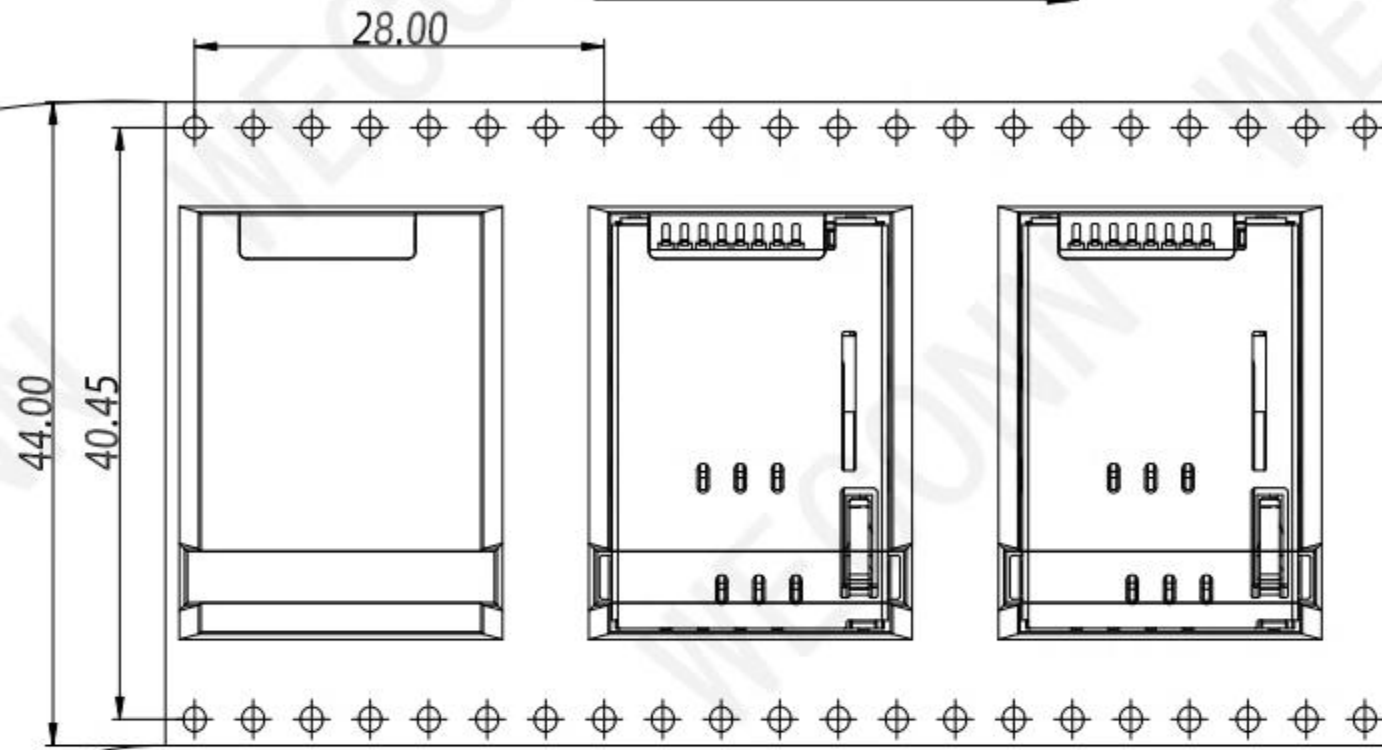
PART NUMBER: WL-SIM225-109-NA1  
TITLE: 2.20H Push-Push SIM Card

DWG NO.: WL-SIM225-109-NA1  
SCALE: 1:1 SHEET: 1/2 REV.: A1  
APPD: Cornelia  
CHKD: Mark  
DR: Michael

RoHS

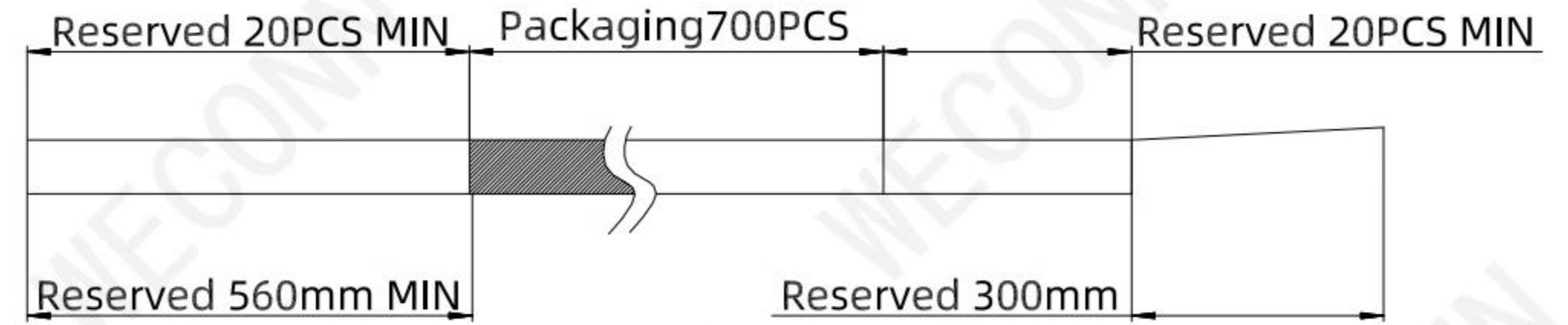
| REV. | EC# | DESCRIPTION | DATE       | DRAWING | CHECKED | APPROVED |
|------|-----|-------------|------------|---------|---------|----------|
| A0   |     | NEW RELEASE | 2022.12.09 | Michael | Mark    | Cornelia |

Direction of use



NOTES:

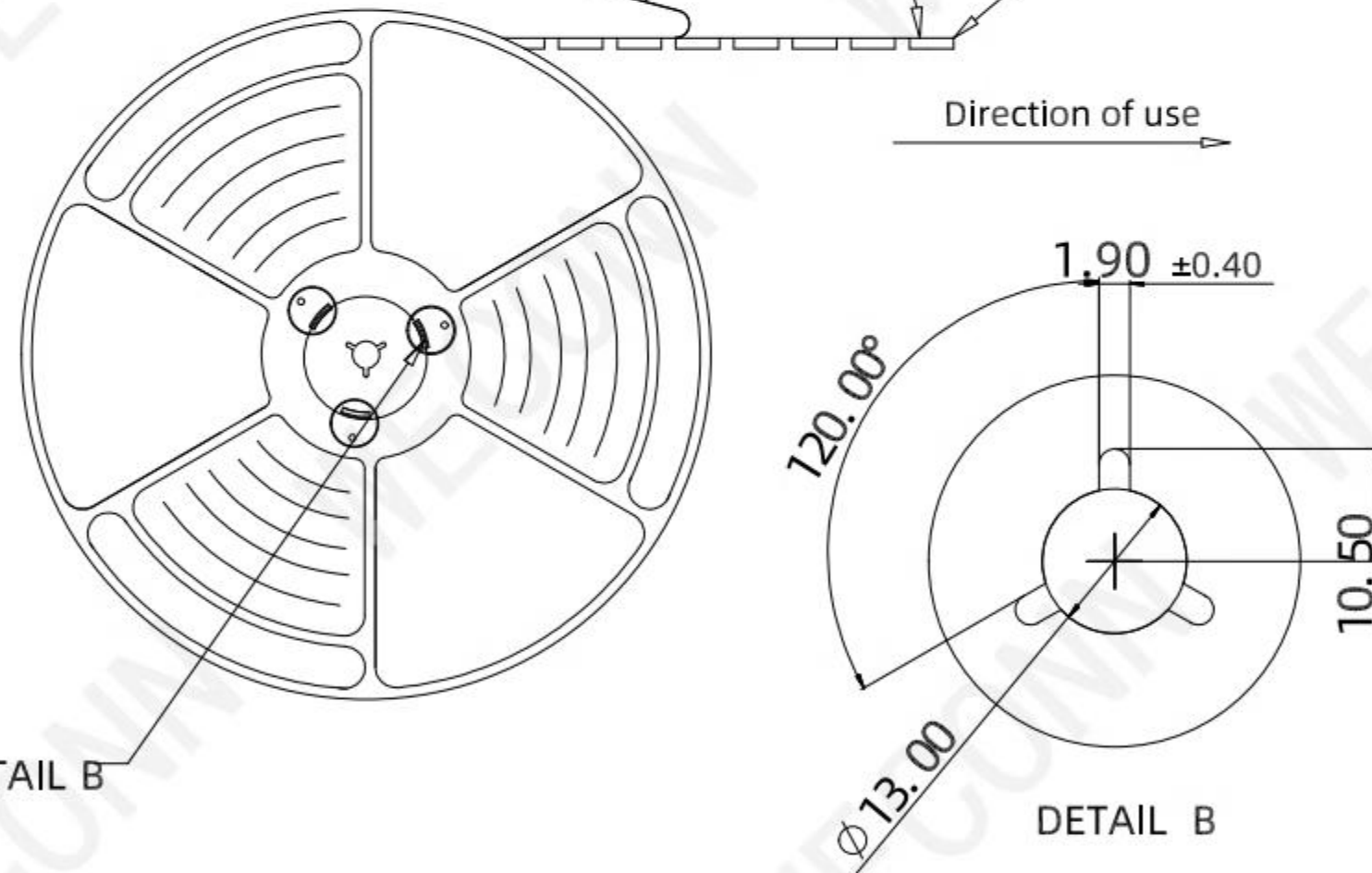
- 1、 Packing quantity per plate: 600PCS/Plate
- 2、 Loading and packing method



- 3、 Total packaging: 3600PCS/Box

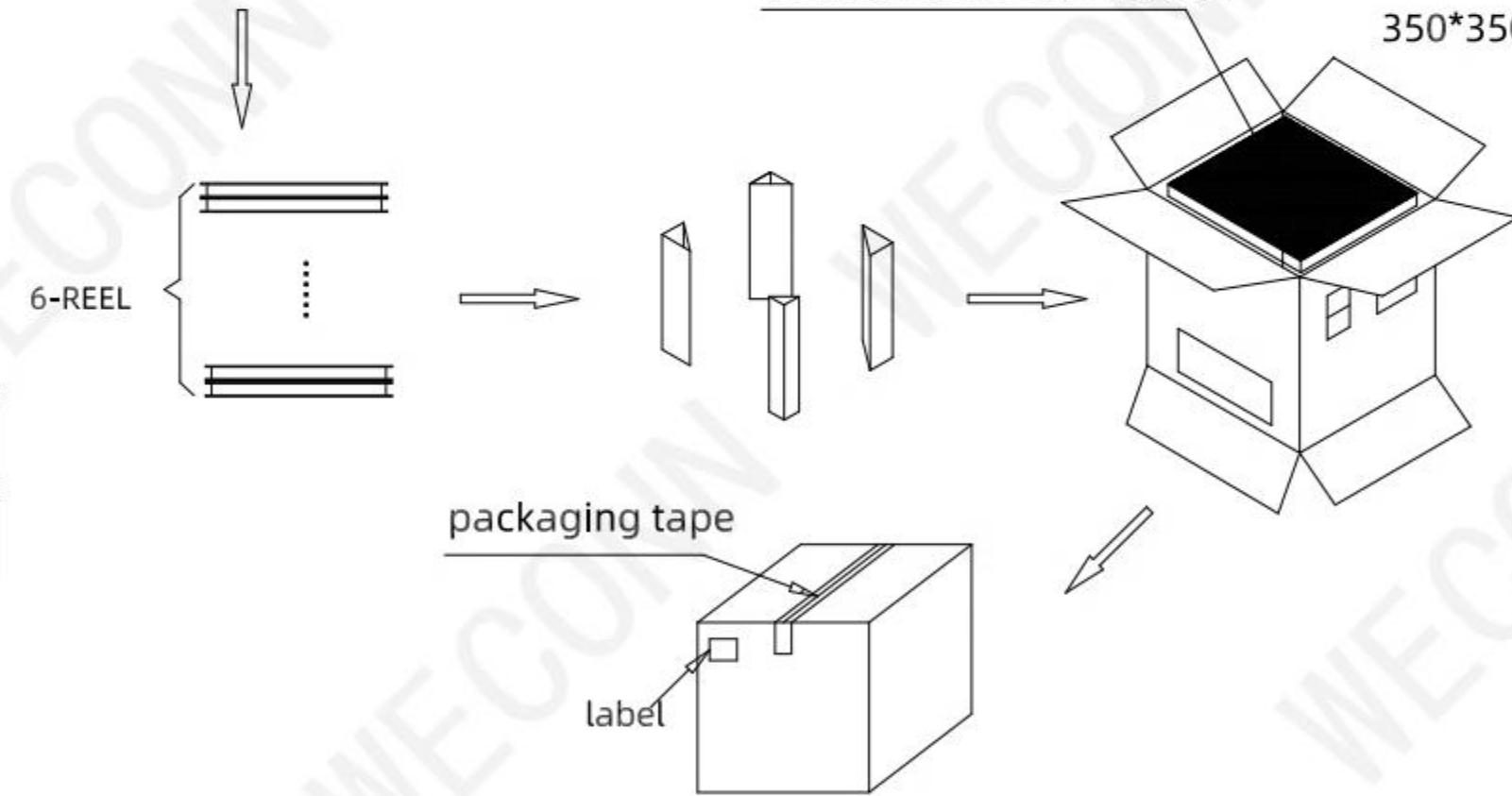
Carrier Tape

Direction of use



The bottom and top of the carton Pad it with a piece of pearl cotton

BOX 350\*350\*340mm



| MILLIMETERS                                                                                                                                                             | INCH          | UNITS     | WECONN® 深圳市微连电子有限公司<br>ShenZhen Welink Electronics Co.,Ltd |       |                          |          |
|-------------------------------------------------------------------------------------------------------------------------------------------------------------------------|---------------|-----------|------------------------------------------------------------|-------|--------------------------|----------|
| X.° ± 2°                                                                                                                                                                | X.° ± 2°      | MM        | PART NUMBER:                                               |       | TITLE:                   |          |
| .X ± 0.30                                                                                                                                                               | .XX ± 0.012   | MAT'L     | WL-SIM225-109-NA1                                          |       | 2.20H Push-Push SIM Card |          |
| .XX ± 0.20                                                                                                                                                              | .XXX ± 0.008  | SEE NOTES | DWG NO.:                                                   |       | APPD:                    | Cornelia |
| .XXX ± 0.10                                                                                                                                                             | .XXXX ± 0.004 | FINISH    | WL-SIM225-109-NA1                                          |       | CHKD:                    | Mark     |
| THESE DRAWINGS AND PECIFICATION ARE Welink<br>ShenZhen Welink Electronics Co.,Ltd<br>COPIED OR USED IN ANY MANNER WITHOUT Welink<br>ShenZhen Welink Electronics Co.,Ltd |               | QTY       | SCALE                                                      | SHEET | REV.                     | DR:      |
|                                                                                                                                                                         |               | SEE NOTES | 1:1                                                        | 2/2   | A1                       | Michael  |