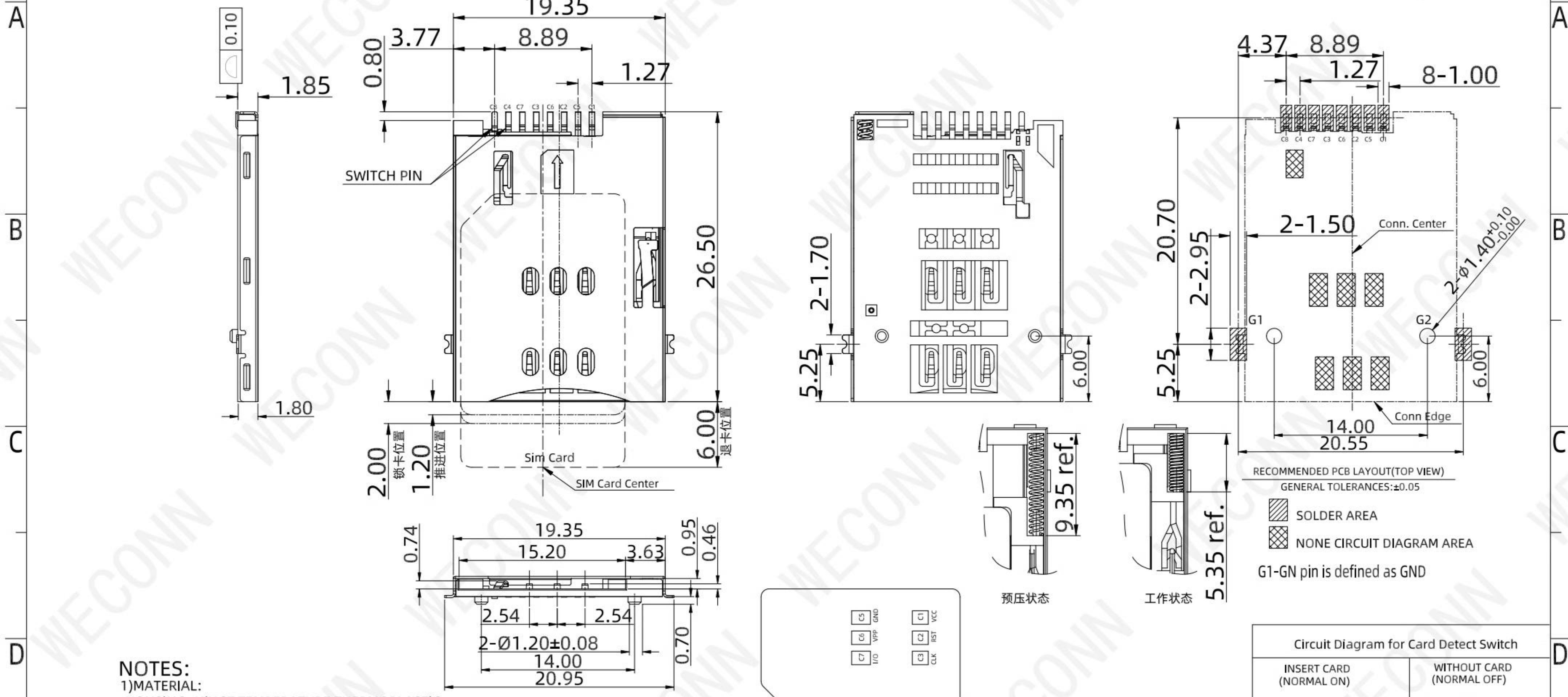


RoHS

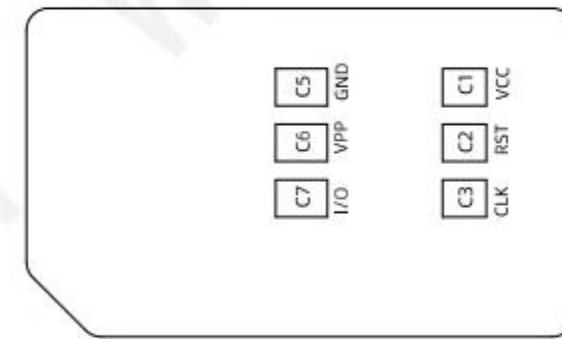
REV.	EC#	DESCRIPTION	DATE	DRAWING	CHECKED	APPROVED
A0		NEW RELEASE	2019.03.22	Michael	Mark	Cornelia



**NOTES:**

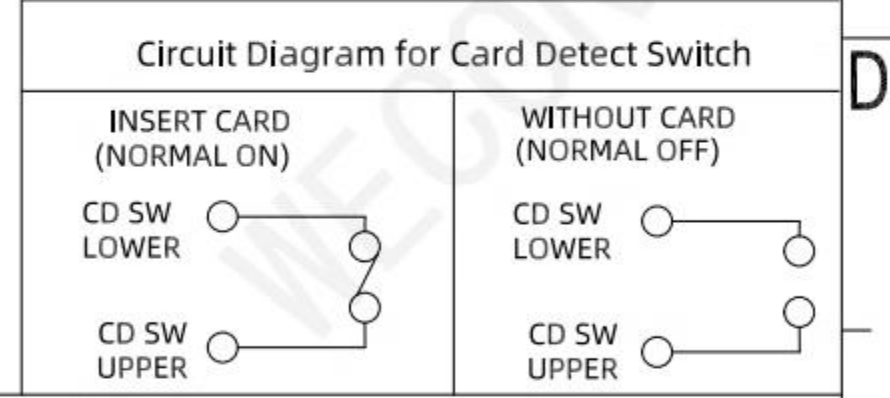
- MATERIAL:**  
HOUSING: HIHGT TEMPERATURE THERMOPLASTIC  
CONTACT: COPPER ALLOY  
SHELL: STEEL
- FINISH:**  
CONTACT: GOLD FLASH PLATED ON CONTACT AREA;  
MATTE-TIN PLATED ON SOLDER TAILS; WITH ENTIRE CONTACT UNDERPLATED NICKEL.  
SHELL: GOLD FLASH PLATED ON SOLDER TAILS
- INFRARED REFLOW SOLDERING:** 10sec. Min. at 260<sup>+10</sup><sub>0</sub>

PLEASE CONTACT WELINK SALES REPRESENTATIVE TO VERIFY PRODUCT DETAILS & AVAILABILITY



SIM 示意图  
芯片面朝下视图

PIN NO.	DESCRIPTION	MILLIMETERS	INCH	UNITS
		X. ± 0.2	X° ± 5°	MM
C1	VCC	.X ± 0.15	.X° ± 2°	MAT'L SEE NOTES
C2	RST	.XX ± 0.1	.XX° ± 1°	FINISH SEE NOTES
C3	CLK	.XXX ± 0.01	.XXX° ± 0.5°	
C4	POL			QTY SEE NOTES
C5	GND			
C6	VPP	THESE DRAWINGS AND PECIFICATION ARE Welink ShenZhen Welink Electronics Co.,Ltd COPIED OR USED IN ANY MANNER WITHOUT Welink ShenZhen Welink Electronics Co.,Ltd		
C7	I/O			
C8	DET			

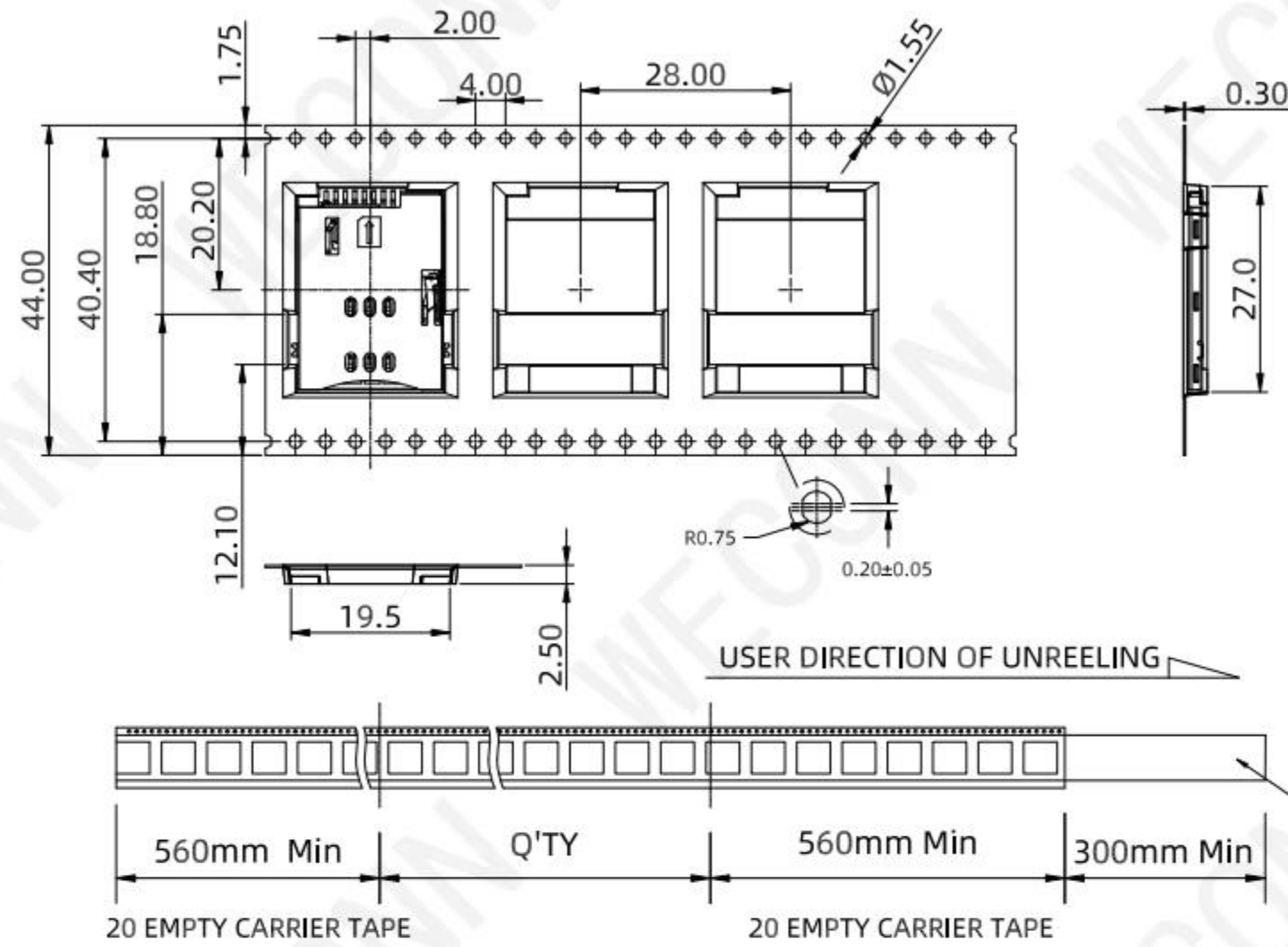


**WECONN** 深圳市微连电子有限公司  
**ShenZhen Welink Electronics Co.,Ltd**

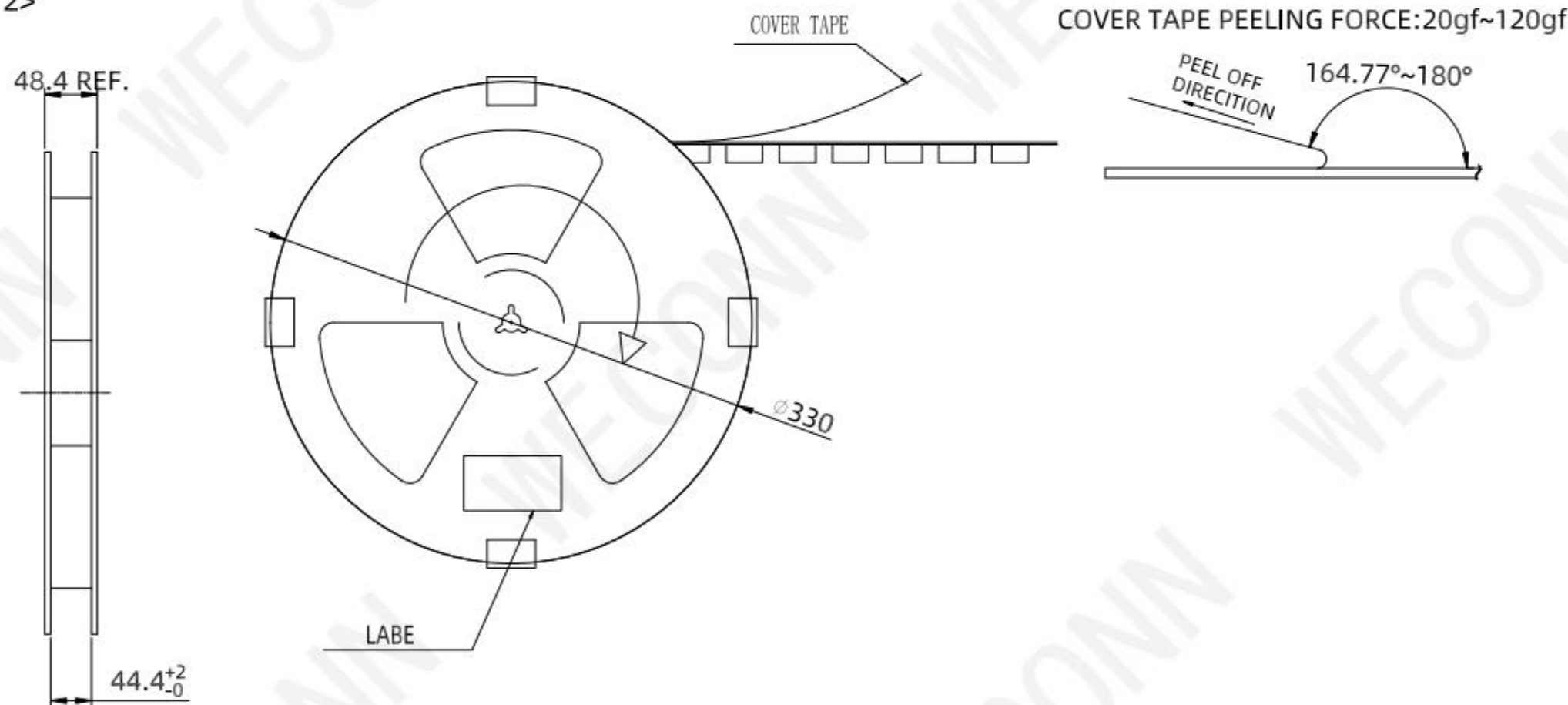
PART NUMBER: <b>WL-SIM750-002-NA1</b>	TITLE: SIM卡座 自弹式 8P 带侦测 8.65间距 有柱
DWG NO.: <b>WL-SIM750-002-NA1</b>	APPD: <b>Cornelia</b>
SCALE: 1:1	CHKD: <b>Mark</b>
SHEET: 1/2	DR: <b>Michael</b>
REV: A1	

REV.	EC#	DESCRIPTION	DATE	DRAWING	CHECKED	APPROVED
A0		NEW RELEASE	2019.03.22	Michael	Mark	Cornelia

<Figure 1>



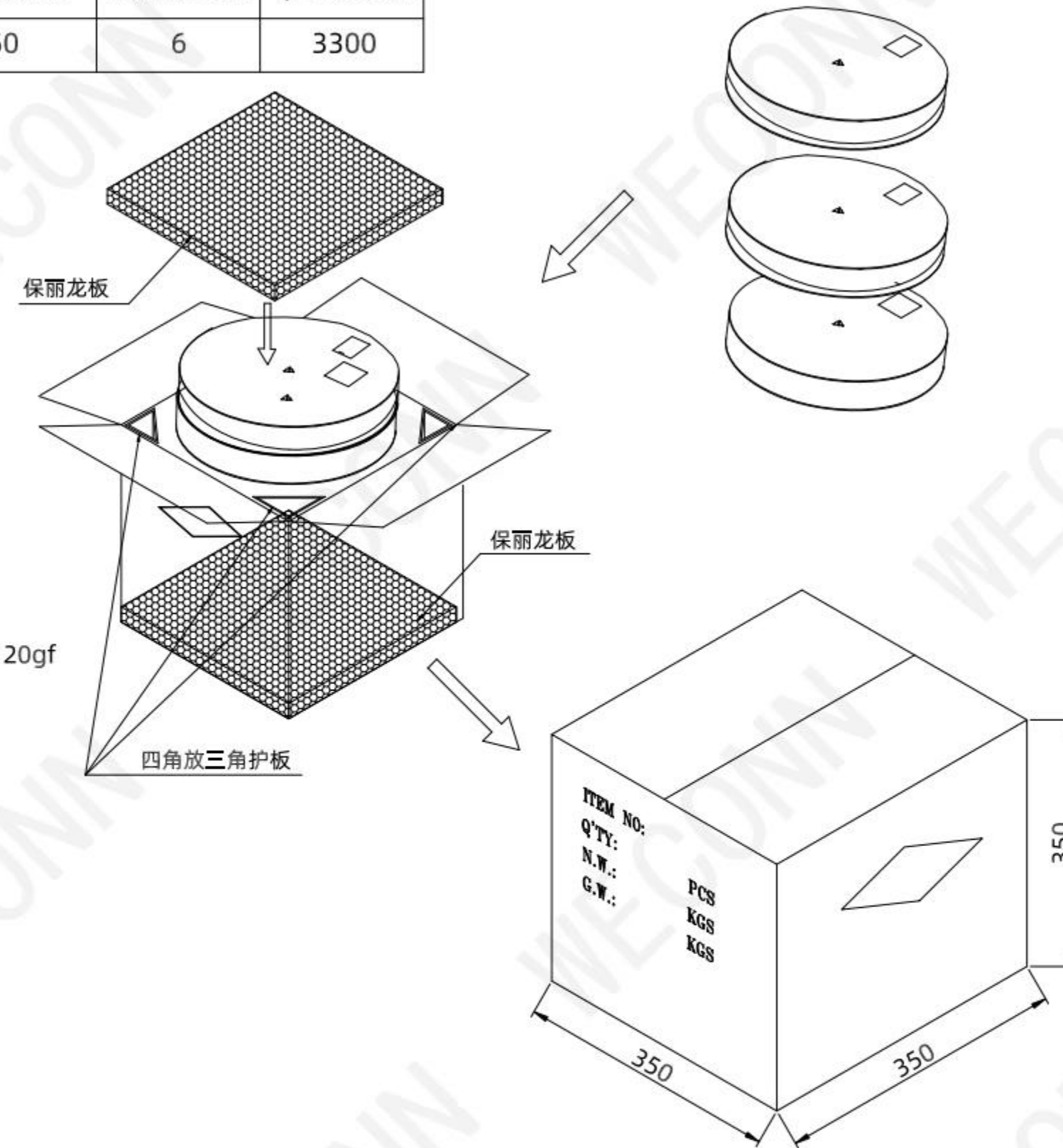
<Figure 2>



<TABLE 1> PACKAGING QUANTITY

QTY/REEL	REEL/CARTON	QTY/CARTON
550	6	3300

<Figure 3>



NOTE:

- Place the product in the download as shown in <Figure 1>, and place 1 PCS product per hole.
- After the packaging machine is wrapped, stick tape on each equal point of the REEL to prevent the REEL from opening.  
Each REEL affixed 1PCS label, as shown in <Figure 2>
- The packaging quantity is shown as <TABLE 1>
- Packed into a box, as shown in <Figure 3>  
Put the styrofoam board at the bottom of the box, and then put the specified number of rolled products in waterproof bags and put them in the box.  
Put four triangular guards into the four corners, and put the styrofoam board on the top layer.
- Seal the box, write the material number, quantity, etc. on the sealed carton according to customer requirements

MILLIMETERS	INCH	UNITS	WECONN® 深圳市微连电子有限公司 ShenZhen Welink Electronics Co.,Ltd			
X. ± 0.2	X.° ± 5°	MM	PART NUMBER: WL-SIM750-002-NA1		TITLE: SIM卡座 自弹式 8P 带侦测 8.65间距 有柱	
.X ± 0.15	.X° ± 2°	MAT'L SEE NOTES	DWG NO.:		APPD:	Cornelia
.XX ± 0.1	.XX° ± 1°	FINISH SEE NOTES	WL-SIM750-002-NA1		CHKD:	Mark
.XXX ± 0.01	.XXX° ± 0.5°	QTY SEE NOTES	SCALE	SHEET	REV.	DR:
THESE DRAWINGS AND PEFICATION ARE Welink ShenZhen Welink Electronics Co.,Ltd COPIED OR USED IN ANY MANNER WITHOUT Welink ShenZhen Welink Electronics Co.,Ltd			1:1	2/2	A1	Michael