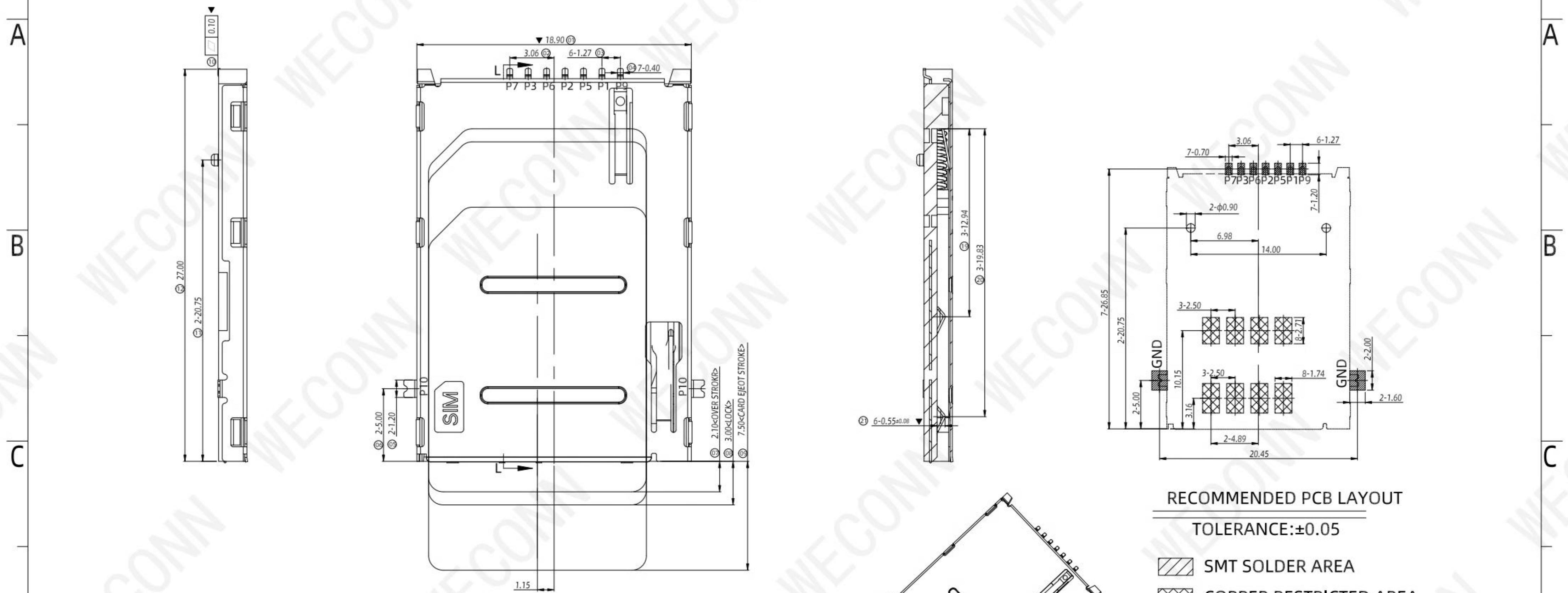
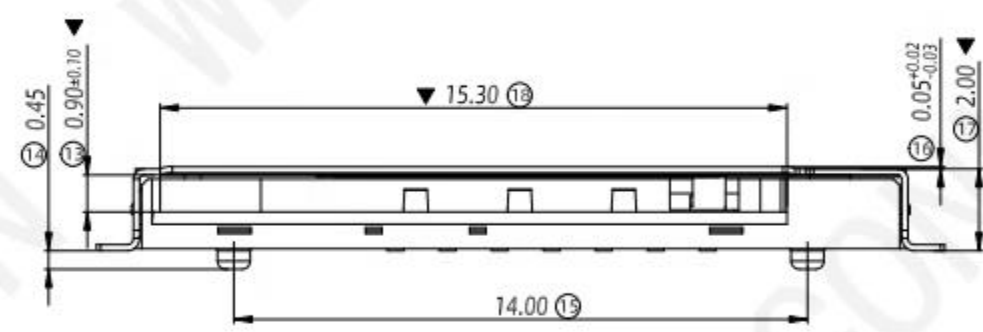


RoHS

REV.	EC#	DESCRIPTION	DATE	DRAWING	CHECKED	APPROVED
A0		NEW RELEASE	2022.05.29	Michael	Mark	Cornelia



- NOTES:
- MATERIAL:**  
HOUSING: High Temperature Thermoplastic  
Terminal: Copper Alloy  
Shell: Stainless Steel
  - PLATING:**  
Terminal: 40u" Ni UNDERPLATED OVERALL  
G/F PLATED ON CONTACT AREA AND SOLDER AREA  
Shell: 30u" Ni UNDERPLATED OVERALL  
G/F PLATED ON CONTACT AREA AND SOLDER AREA
  - TECHNICAL SPECIALITY:**  
RATED VOLTAGE: 30V AC MAX.  
CURRENT RATING: 0.5A MAX.  
INSULATION RESISTANCE: 1000MΩ MIN  
CONTACT RESISTANCE: 50mΩ MAX  
WITHSTANDING VOLTAGE: 500V AC FOR 1 MINUTES  
OPERATING TEMPERATURE: -40°C ~ +85°C Humidity 80% R.H MAX



PIIN/NO	ASSIGNMENT	MILLIMETERS	INCH	UNITS
P1	VCC	X ± 0.2	X° ± 5°	MM
P2	RST	X ± 0.15	X° ± 2°	MAT'L SEE NOTES
P3	CLK	.XX ± 0.1	.XX° ± 1°	FINISH SEE NOTES
P5	GND	.XXX ± 0.01	.XXX° ± 0.5°	QTY SEE NOTES
P6	VPP			
P7	I/O			
P9	Detect Switch			
P10	GND			

THESE DRAWINGS AND SPECIFICATION ARE WELINK  
SHENZHEN WELINK ELECTRONICS CO.,LTD  
COPIED OR USED IN ANY MANNER WITHOUT WELINK  
SHENZHEN WELINK ELECTRONICS CO.,LTD

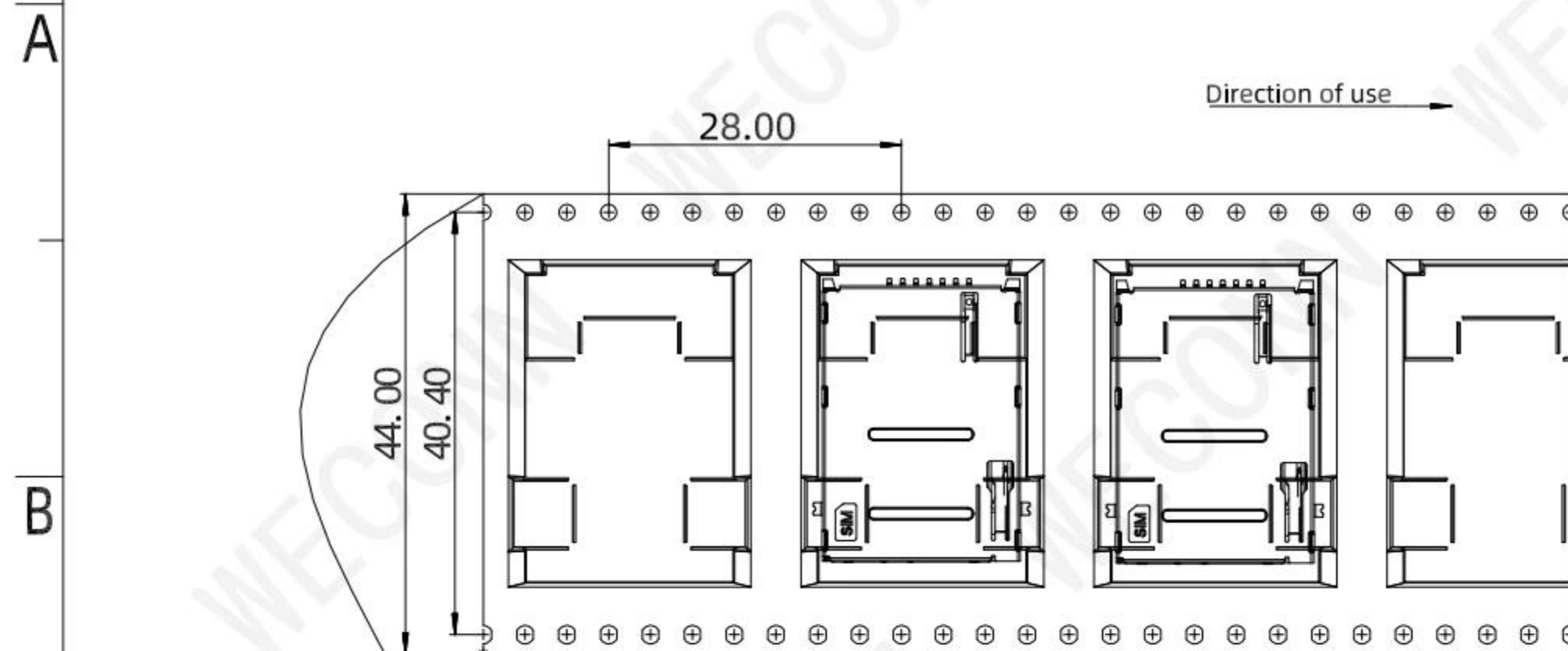
PLEASE CONTACT WELINK SALES REPRESENTATIVE  
TO VERIFY PRODUCT DETAILS & AVAILABILITY

**WECONN** 深圳市微连电子有限公司  
**ShenZhen Welink Electronics Co.,Ltd**

PART NUMBER:	TITLE:
WL-SIM200-281	2.0H 6Pin Push-Push SIM卡座
DWG NO.:	APPD:
WL-SIM200-281	Cornelia
SCALE	CHKD:
1:1	Mark
SHEET	DR:
1/2	Michael
REV.	
A1	

RoHS

REV.	EC#	DESCRIPTION	DATE	DRAWING	CHECKED	APPROVED
A0		NEW RELEASE	2022.05.29	Michael	Mark	Cornelia

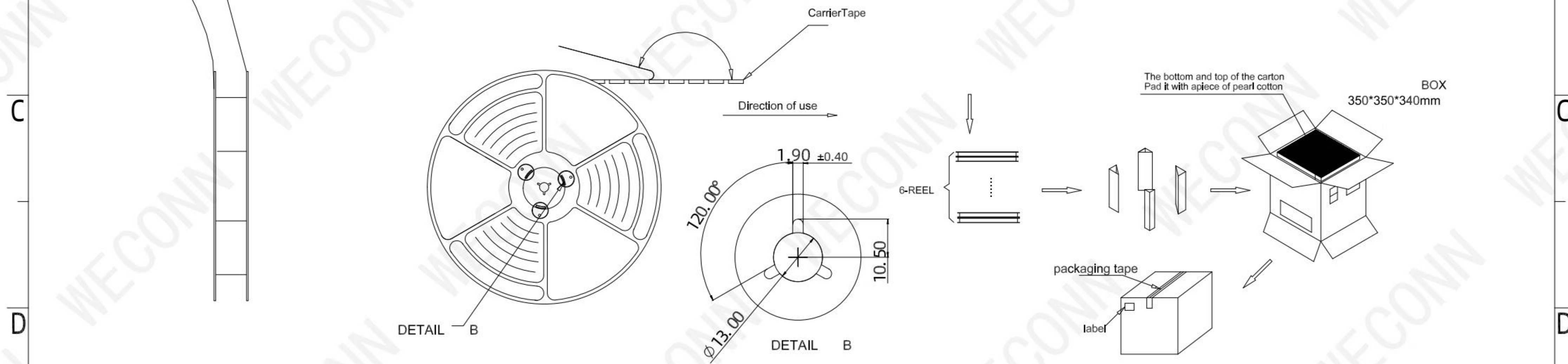


NOTES:

- 1、 Packing quantity per plate: 600PCS/Plate
- 2、 Loading and packing method



- 3、 Total packaging: 3600PCS/Box



MILLIMETERS	INCH	UNITS	WECONN® 深圳市微连电子有限公司 ShenZhen Welink Electronics Co.,Ltd			
X. ± 0.2	X.° ± 5°	MM	PART NUMBER:		TITLE:	
.X ± 0.15	.X° ± 2°	MAT'L	WL-SIM200-281		2.0H 6Pin Push-Push SIM卡座	
.XX ± 0.1	.XX° ± 1°	SEE NOTES	DWG NO.:		APPD: Cornelia	
.XXX ± 0.01	.XXX° ± 0.5°	FINISH	WL-SIM200-281		CHKD: Mark	
THESE DRAWINGS AND PECIFICATION ARE Welink ShenZhen Welink Electronics Co.,Ltd COPIED OR USED IN ANY MANNER WITHOUT Welink ShenZhen Welink Electronics Co.,Ltd			QTY	SCALE	DR: Michael	
			SEE NOTES	1:1		
				SHEET		
				2/2		
				REV.		
				A1		