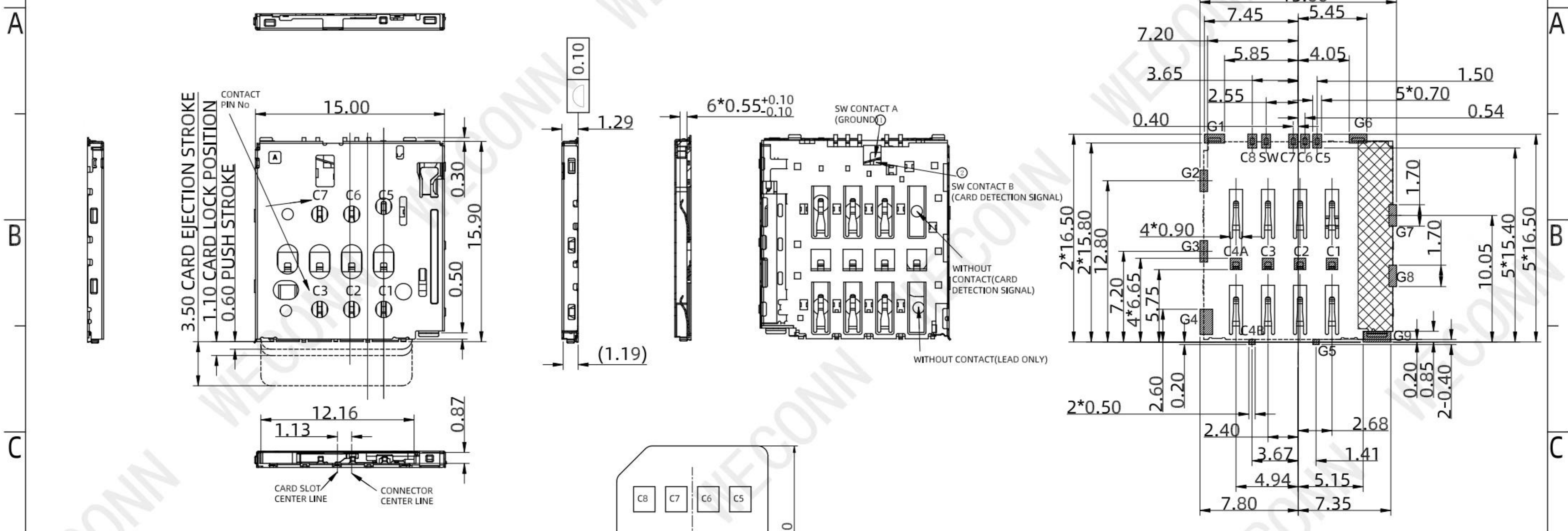


RoHS

REV.	EC#	DESCRIPTION	DATE	DRAWING	CHECKED	APPROVED
A0		NEW RELEASE	2018.07.22	Michael	Mark	Cornelia



NOTES:

MATERIAL:

Housing: High Temperature Thermoplastic,
Contact: Copper Alloy
Shell: SUS

PLATING:

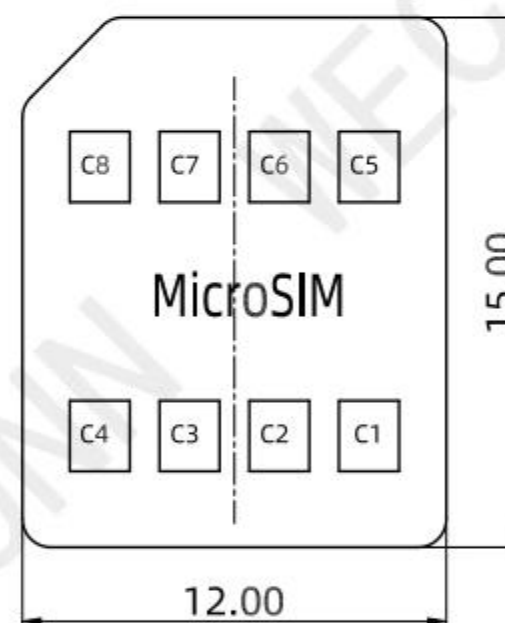
Contact: Contact Area: Au 1u", Solder area: Gold Flash;
Under plate Ni 40u"Min all over

Shell: Plated 30u" Ni Overall

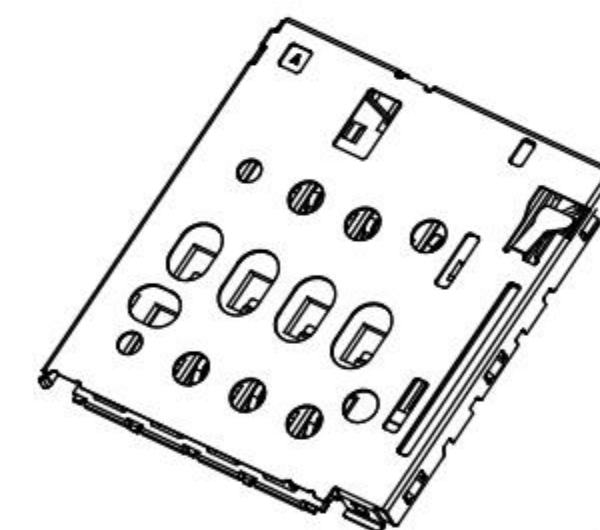
Solder area: Gold Flash

Electrical:

Current Rating :0.5mA max.
Voltage Rating :50V DC MAX
Ambient Temperature Range :-20°C~+85°C
Storage Temperature Range :-40°C~+70°C
Ambient Humidity Range :95% R.H. Max.
Contact Resistance:100m Ω max.
Insulation Resistance:1000M Ω min./250V DC
Dielectric Withstanding Voltage:500V AC
Mating Cycles:3,000 Insertions
Temperature: 260°C ±5°



SIM pin Assignment	
PIN#	Name
C1	VCC
C2	RST
C3	CLK
C5	GND
C6	VPP
C7	I/O
C4A	RESERVED
C4B	RESERVED
C8	RESERVED



RECOMMENDED PCB LAYOUT
GENERAL TOLERANCE ±0.05
The pin defined of 4A and 4B are C4
■ CIRCUIT TRACE KEEP OUT AREA
■ SMT SOLDER AREA

CARD INSERTION STATE		CARD DETECT SW	
CARD UN-INSERTION	CLOSE	● ⊕ SW CONTACT B (CARD DETECTION SIGNAL)	● ⊖ SW CONTACT A (USE ONLE)
	OPEN	● ⊕ SW CONTACT B (CARD DETECTION SIGNAL)	● ⊖ SW CONTACT A (USE ONLE)

MILLIMETERS	INCH	UNITS
X° ± 2°	X° ± 2°	MM
.X ± 0.30	.XX ± 0.012	MAT'L SEE NOTES
.XX ± 0.20	.XXX ± 0.008	FINISH SEE NOTES
.XXX ± 0.10	.XXXX ± 0.004	QTY SEE NOTES

THESE DRAWINGS AND PECIFICATION ARE Welink ShenZhen Welink Electronics Co.,Ltd
COPIED OR USED IN ANY MANNER WITHOUT Welink ShenZhen Welink Electronics Co.,Ltd

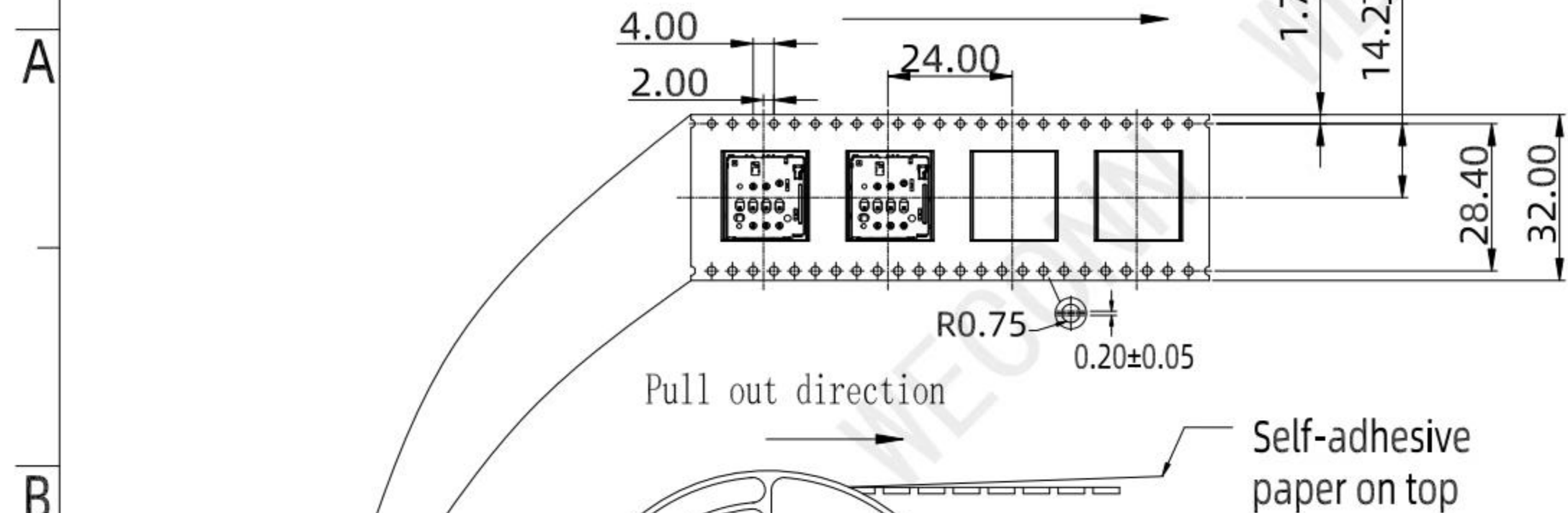
WECONN 深圳市微连电子有限公司
ShenZhen Welink Electronics Co.,Ltd

PART NUMBER: WL-SIM129-015		TITLE: MICRO SIM卡座 自弹式 8P 带检测脚 防溃	
DWG NO.: WL-SIM129-015		APPD: Cornelia	CHKD: Mark
SCALE 1:1	SHEET 1/2	REV. A1	DR: Michael

PLEASE CONTACT WELINK SALES REPRESENTATIVE TO VERIFY PRODUCT DETAILS & AVAILABILITY

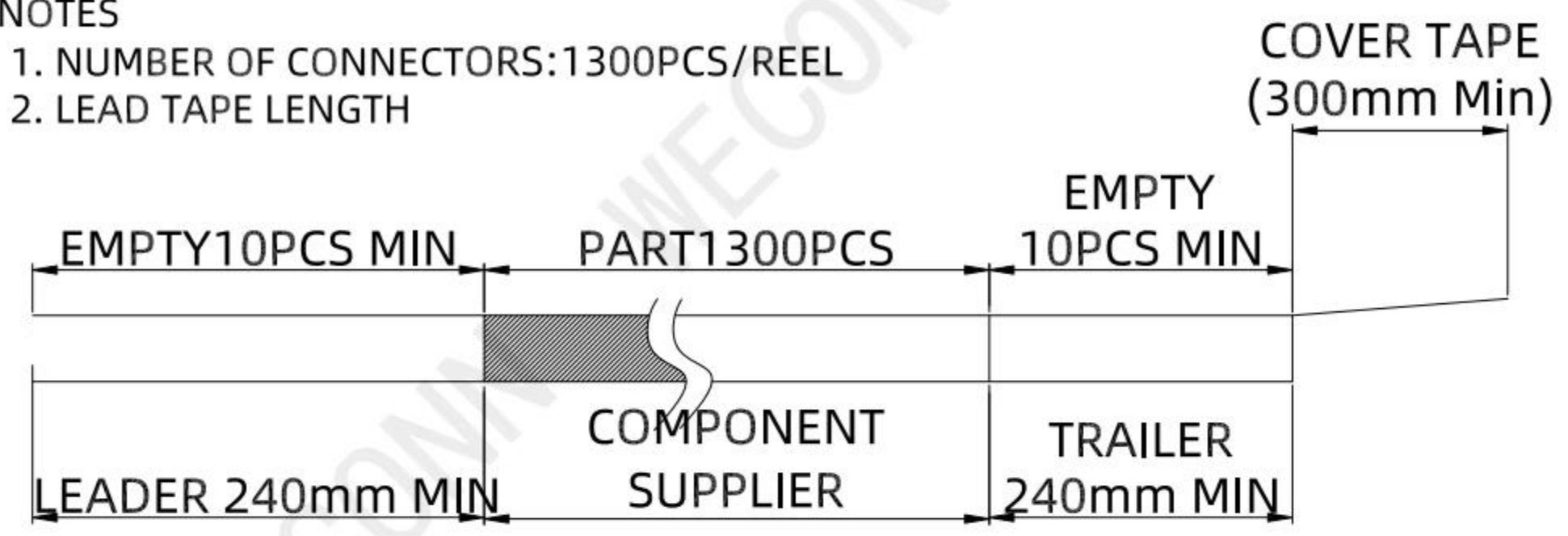
RoHS

REV.	EC#	DESCRIPTION	DATE	DRAWING	CHECKED	APPROVED
A0		NEW RELEASE	2018.07.22	Michael	Mark	Cornelia

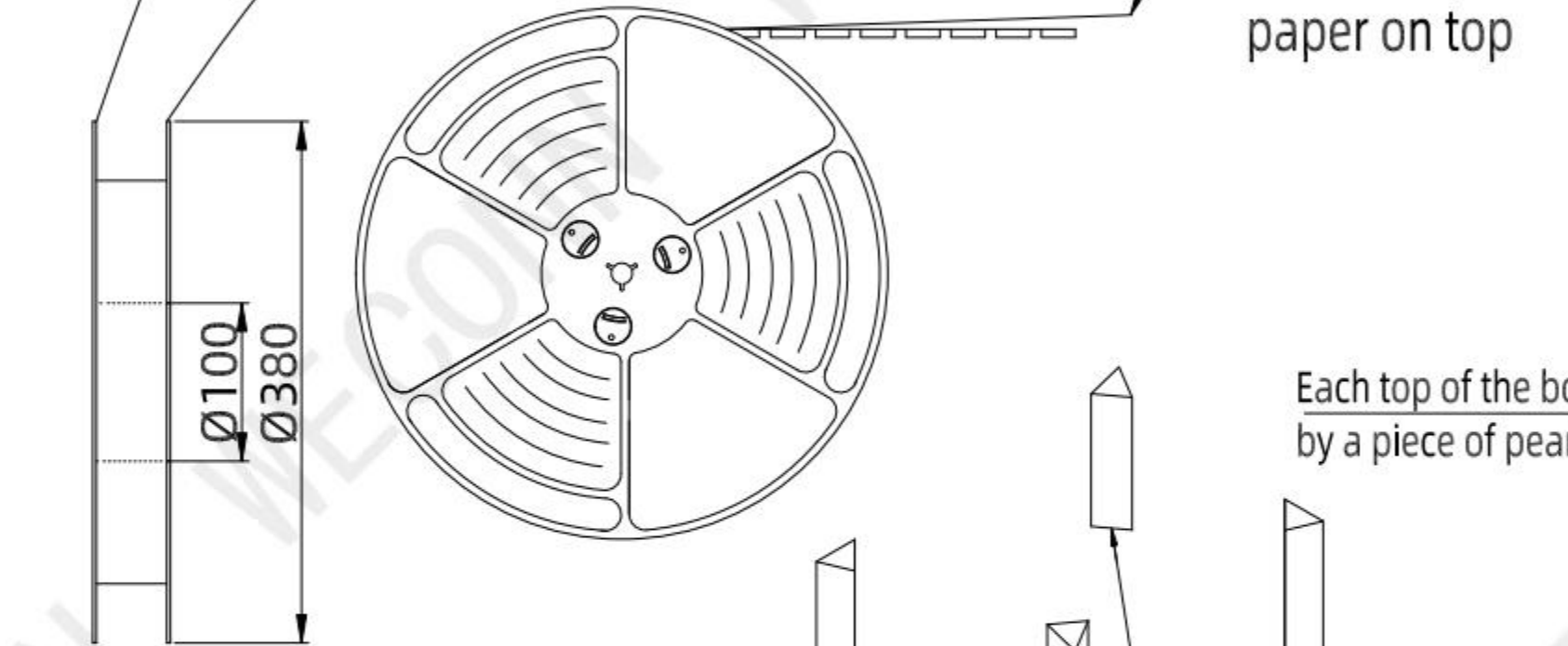


NOTES

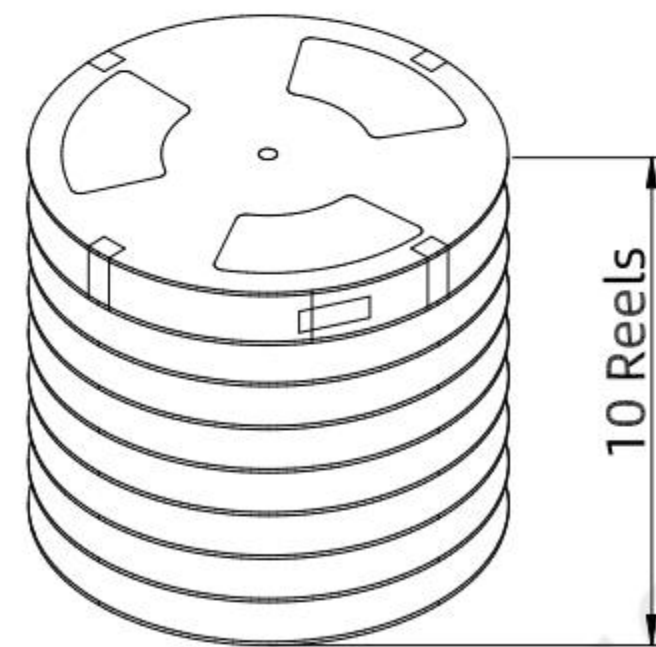
- 1. NUMBER OF CONNECTORS: 1300PCS/REEL
- 2. LEAD TAPE LENGTH



3. QUANTITY: 13000PCS/CARTON

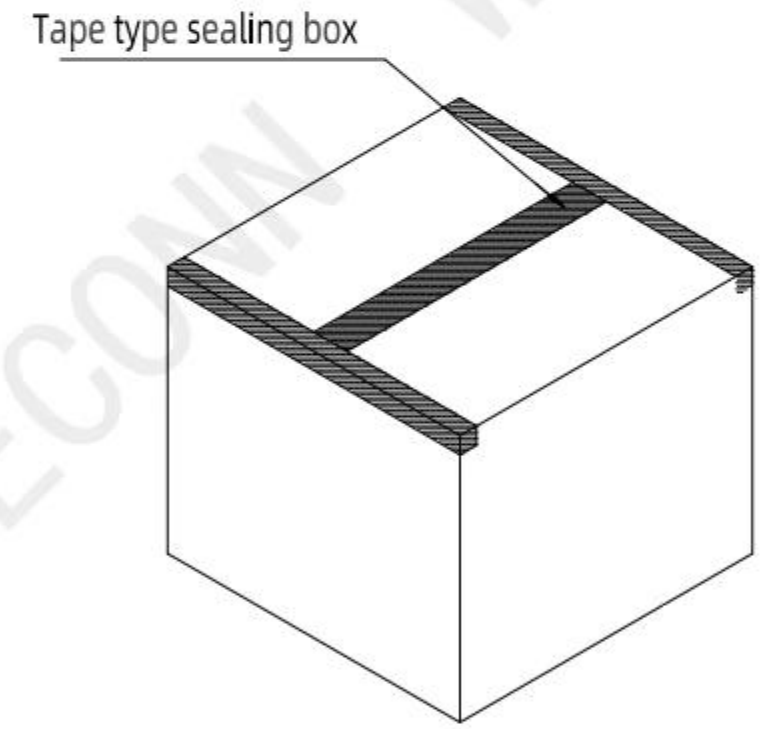
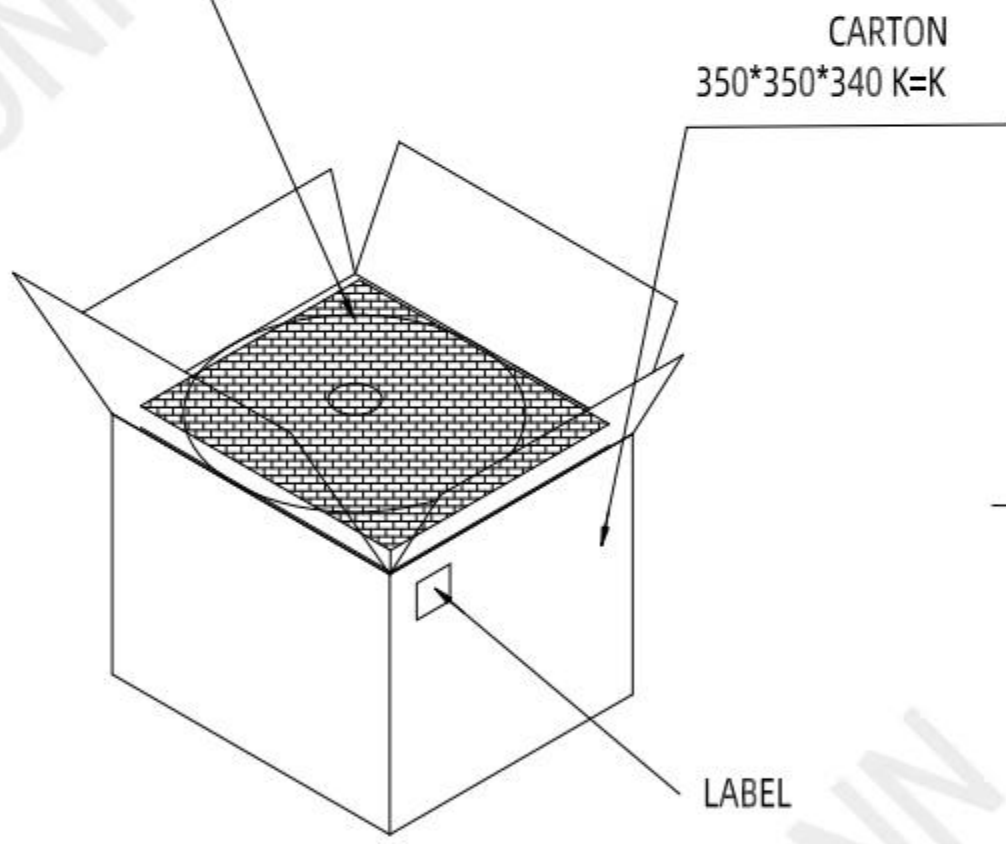


Each top of the bottom of the carton is protected by a piece of pearl cotton



4-TRIANGLE PARTITION
95*95*290 K3K

10 rolls per carton



MILLIMETERS	INCH	UNITS	WECONN® 深圳市微连电子有限公司 ShenZhen Welink Electronics Co.,Ltd			
X.° ± 2°	X.° ± 2°	MM	PART NUMBER: WL-SIM129-015		TITLE: MICRO SIM卡座 自弹式 8P 带检测脚 防溃	
.X ± 0.30	.XX ± 0.012	MAT'L SEE NOTES	DWG NO.: WL-SIM129-015		APPD:	Cornelia
.XX ± 0.20	.XXX ± 0.008	FINISH SEE NOTES	SCALE	SHEET	CHKD:	Mark
.XXX ± 0.10	.XXXX ± 0.004	QTY SEE NOTES	1:1	2/2	DR:	Michael
THESE DRAWINGS AND PECIFICATION ARE Welink ShenZhen Welink Electronics Co.,Ltd COPIED OR USED IN ANY MANNER WITHOUT Welink ShenZhen Welink Electronics Co.,Ltd						