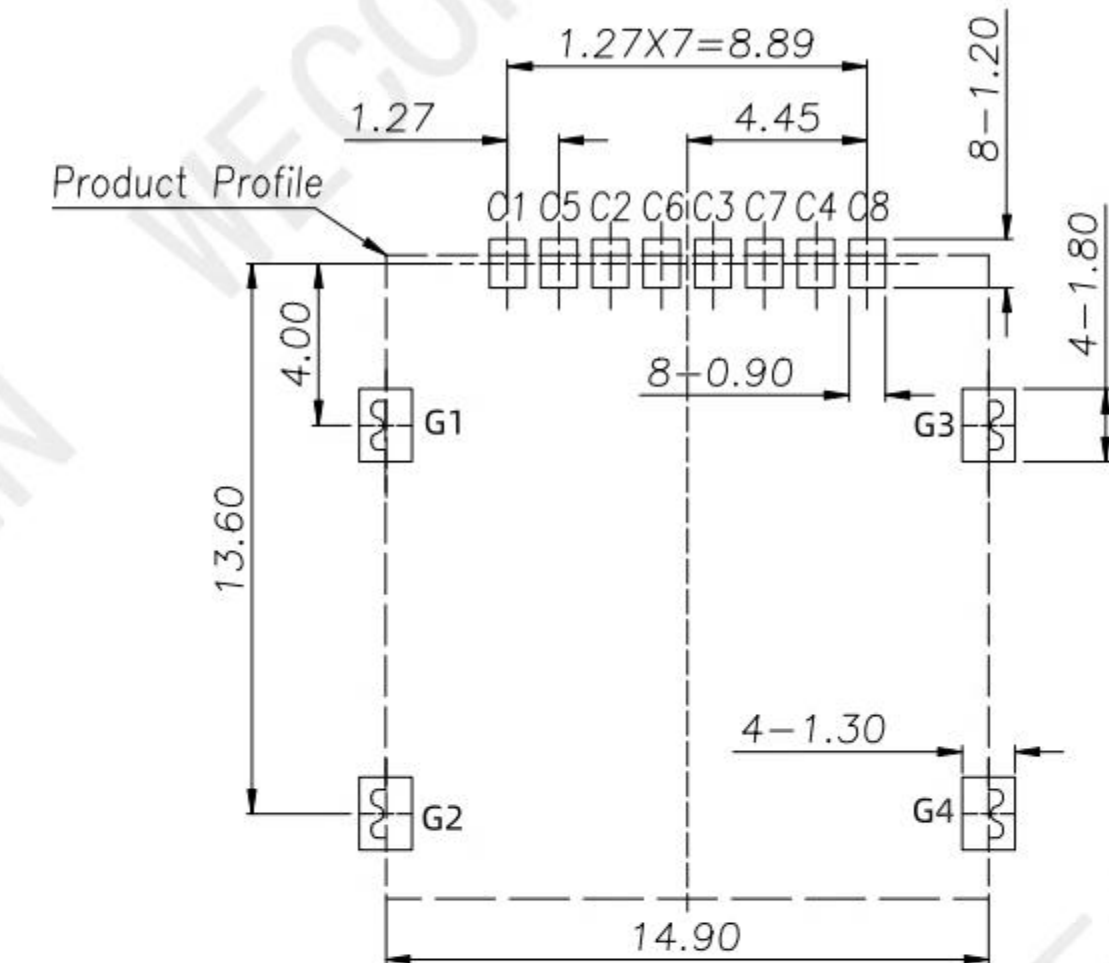
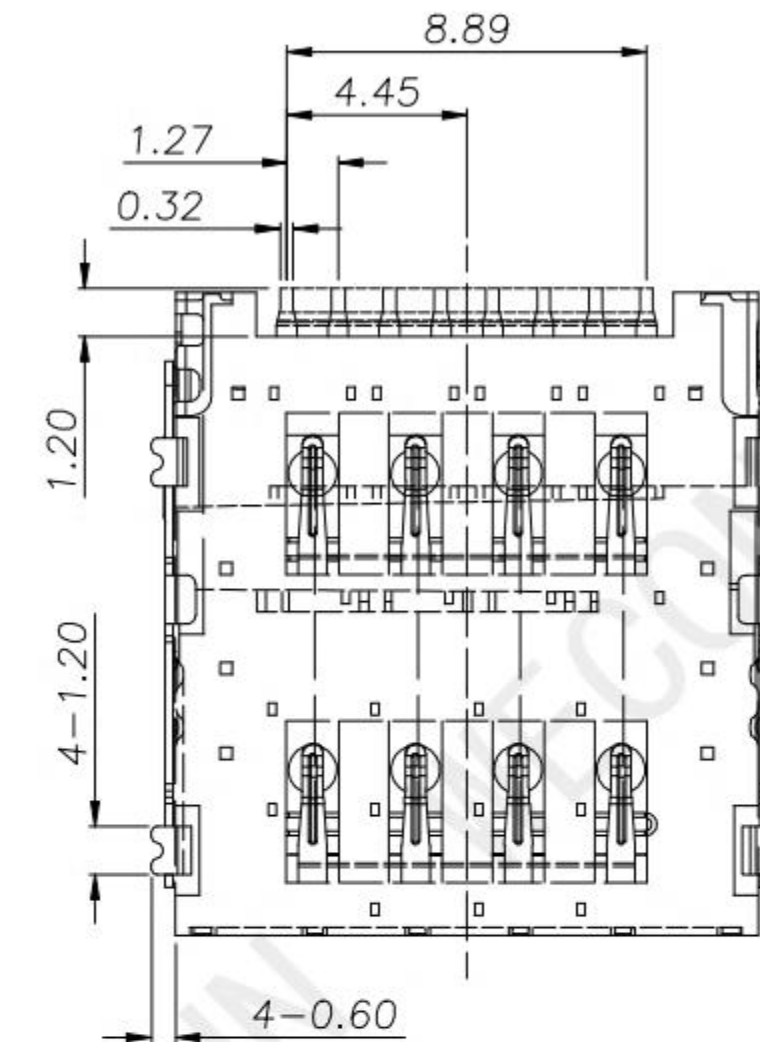
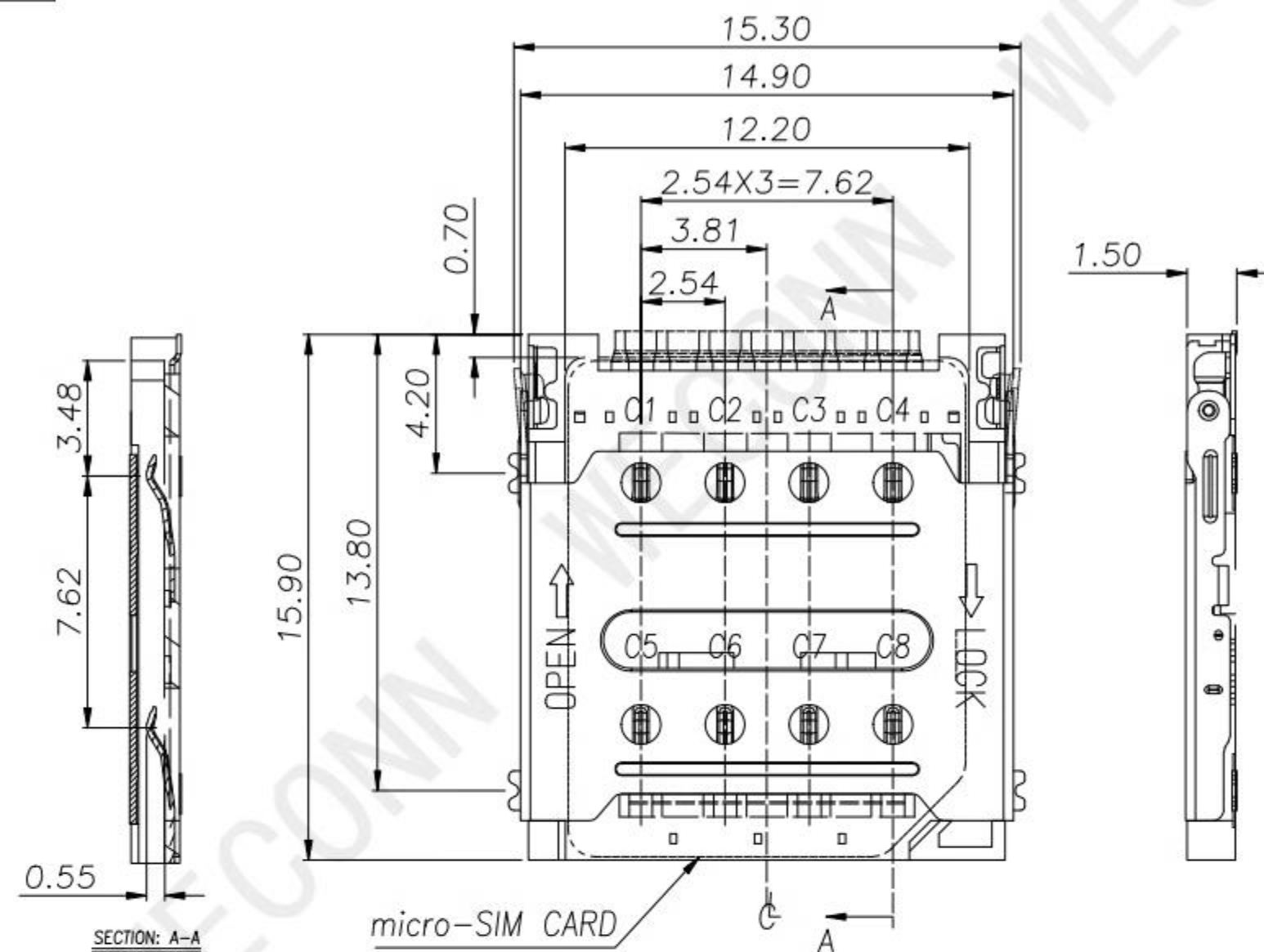
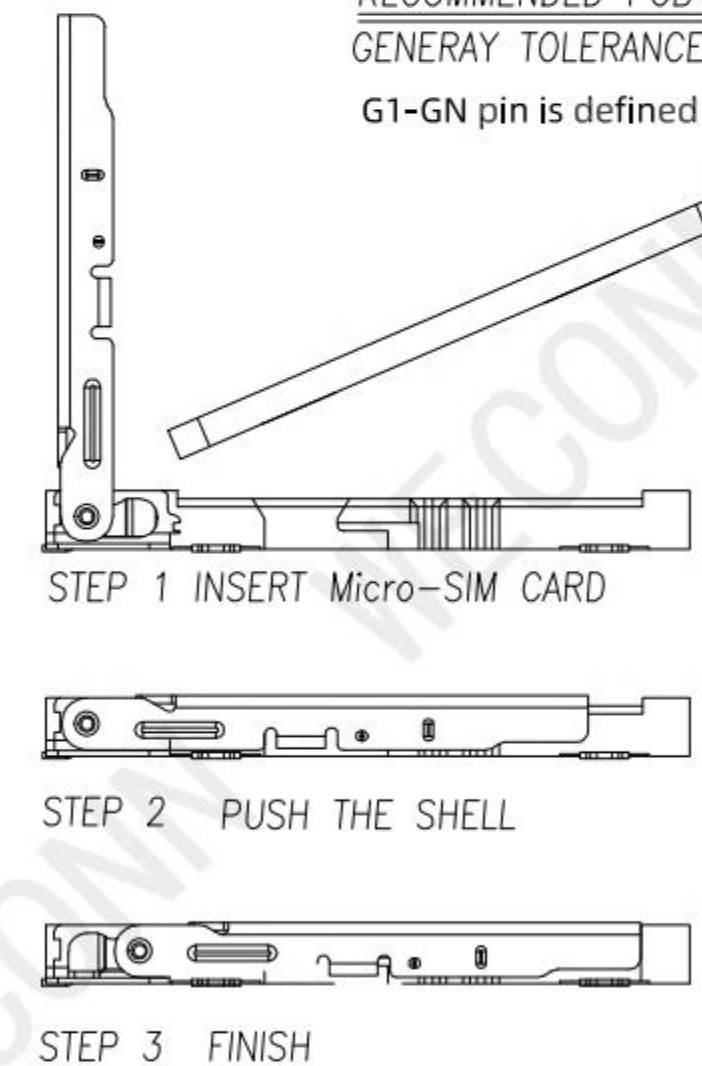
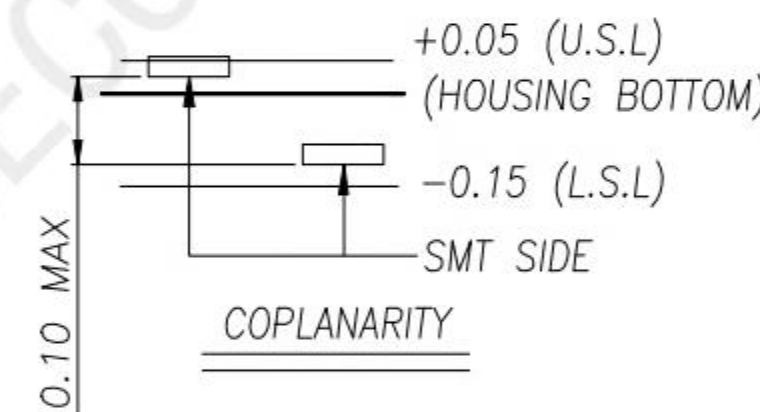
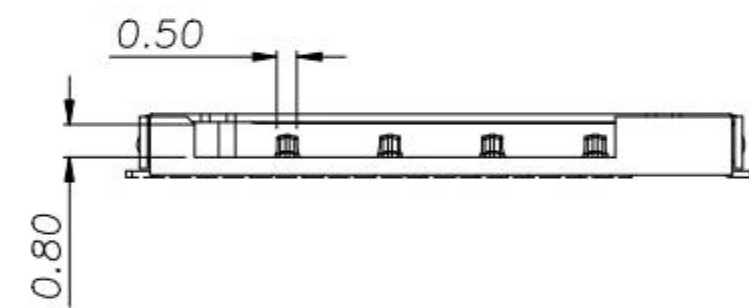


RoHS

REV.	EC#	DESCRIPTION	DATE	DRAWING	CHECKED	APPROVED
A0		NEW RELEASE	2018.04.12	Michael	Mark	Cornelia



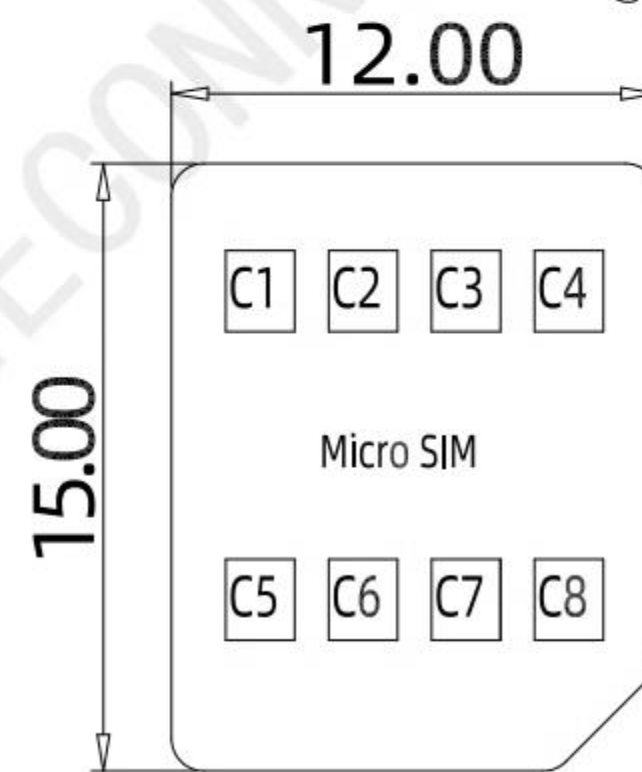
RECOMMENDED PCB LAYOUT
 GENERAL TOLERANCE ± 0.05
 G1-GN pin is defined as GND



SIM CARD	
Pin No.	NAME
C1	VCC
C2	RST
C3	CLK
C4	RESERVED
C5	GND
C6	VPP
C7	I/O
C8	RESERVED

NOTES:

- ELECTRICAL CHARACTERISTICS
 - CONTACT RESISTANCE: 60 Milliohms Max
 - INSULATION RESISTANCE: 1,000 Megohms Min.
 - DIELECTRIC WITHSTANDING VOLTAGE: 500V AC FOR 1 MINUTE.
- MECHANICAL CHARACTERISTICS
 - OPERATION TEMPERATURE RANGE: $-25^{\circ}\text{C} \sim +70^{\circ}\text{C}$
 - DURABILITY: 5000 CYCLES
- MATERIAL:
 - HOUSING: THERMOPLASTIC, UL 94-V0
 - TERMINAL: PHOSPHOR BRONZE, $T=0.15$
 - SHELL: STAINLESS STEEL, $T=0.15$
- FINISHED:
 - TERMINAL: Ni PLATED UNDER, Au PLATED ON CONTACT AREA, G/F PLATED ON SOLDER TAIL
 - SHELL: Ni PLATED UNDER, G/F PLATED ON SOLDER TAIL



PLEASE CONTACT WELINK SALES REPRESENTATIVE
 TO VERIFY PRODUCT DETAILS & AVAILABILITY

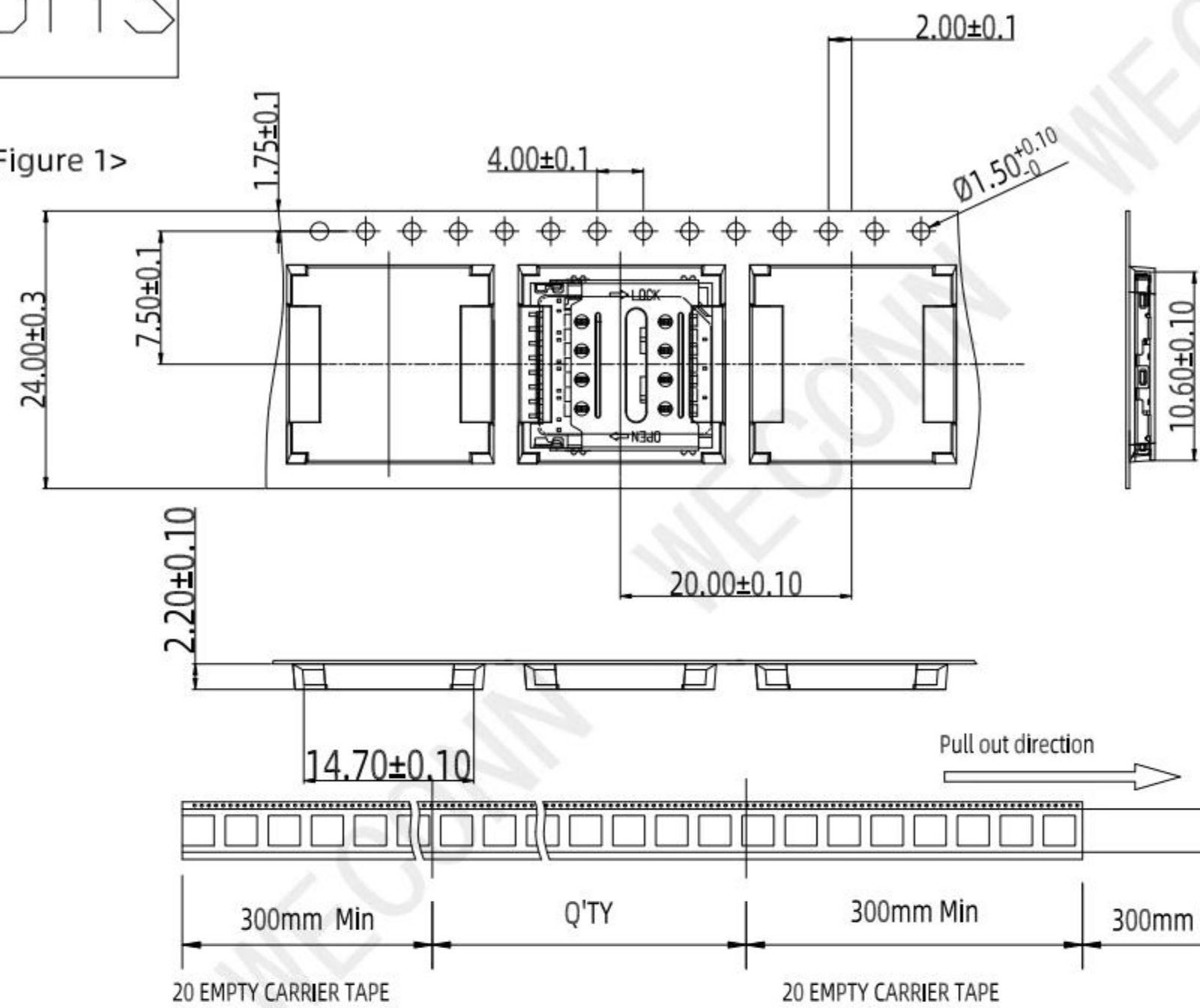
MILLIMETERS	INCH	UNITS
X. ± 0.2	X. $^{\circ} \pm 5^{\circ}$	MM
.X ± 0.15	.X $^{\circ} \pm 2^{\circ}$	MAT'L
.XX ± 0.1	.XX $^{\circ} \pm 1^{\circ}$	SEE NOTES
.XXX ± 0.01	.XXX $^{\circ} \pm 0.5^{\circ}$	FINISH
		SEE NOTES
		QTY
		SEE NOTES

THESE DRAWINGS AND SPECIFICATION ARE WELINK
 SHENZHEN WELINK ELECTRONICS CO., LTD
 COPIED OR USED IN ANY MANNER WITHOUT WELINK
 SHENZHEN WELINK ELECTRONICS CO., LTD

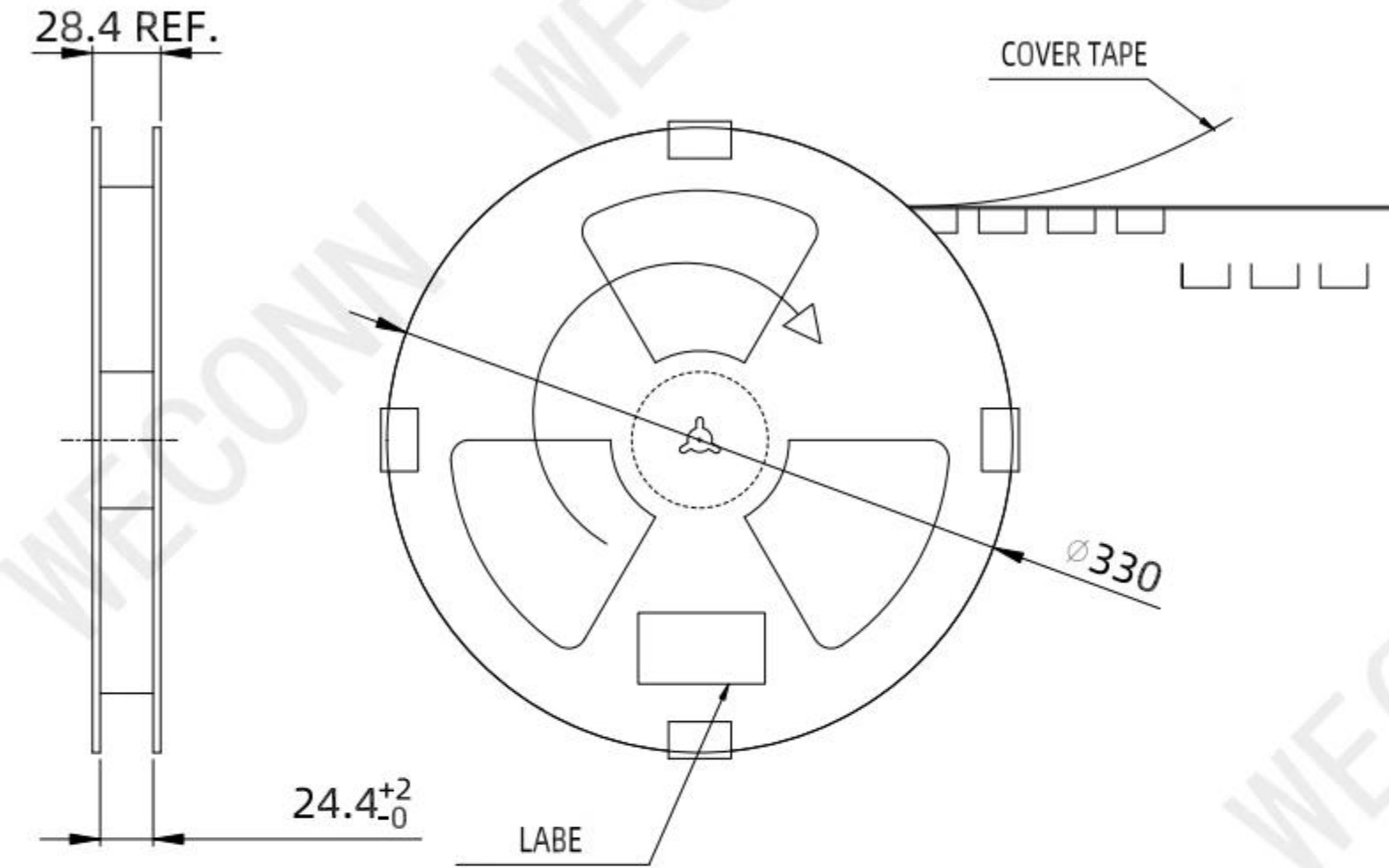
WECONN 深圳市微连电子有限公司 ShenZhen Welink Electronics Co., Ltd		
PART NUMBER: WL-SIM150-075		TITLE: MICRO SIM卡座 插拔式 8P 带检测脚
DWG NO.: WL-SIM150-075		APPD: Cornelia
SCALE: 1:1		CHKD: Mark
SHEET: 1/2	REV: A1	DR: Michael

RoHS

<Figure 1>



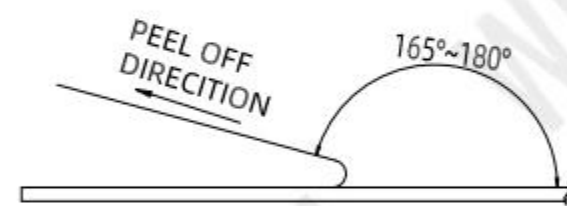
<Figure 2>



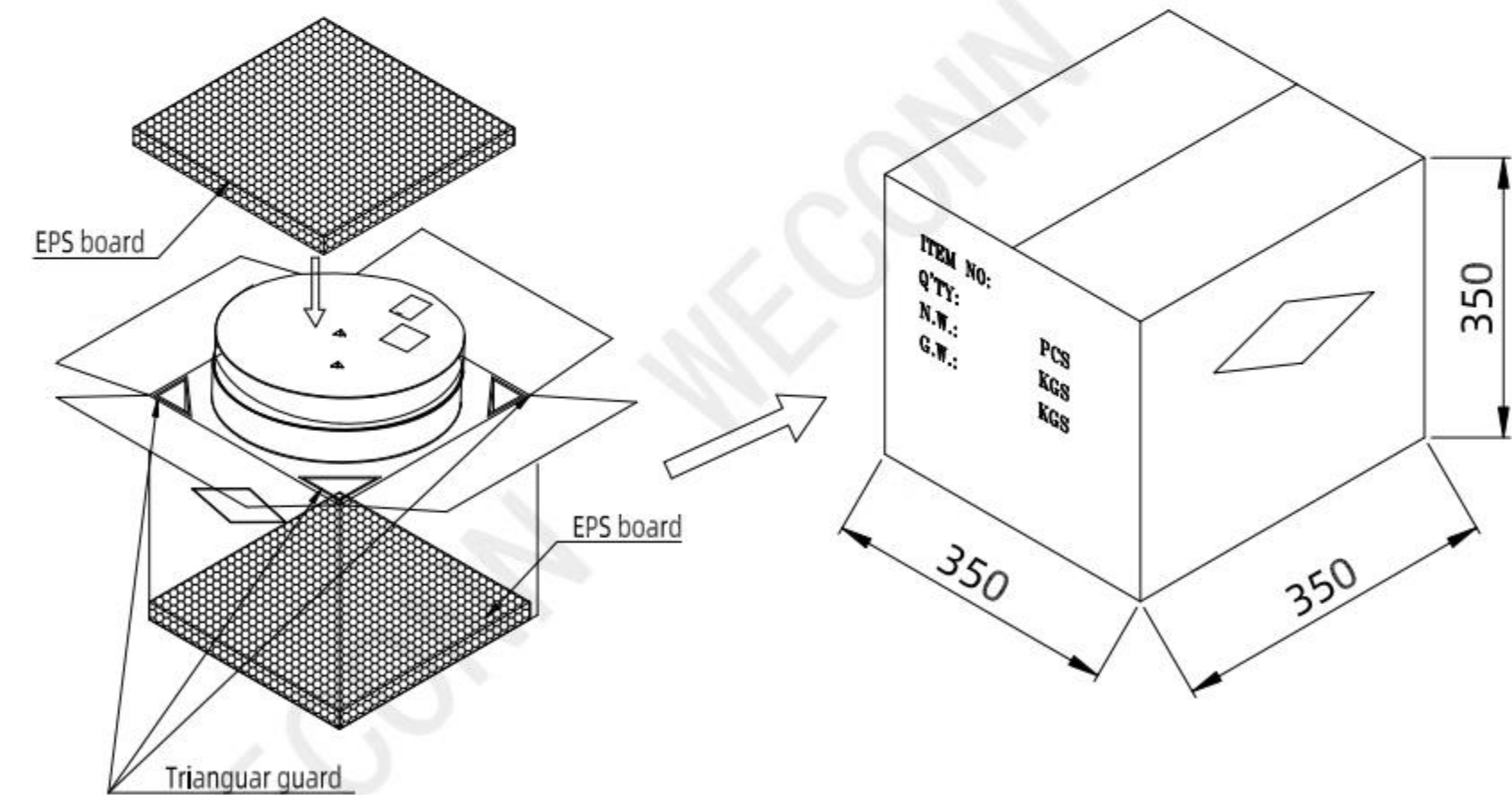
<TABLE 1> PACKAGING QUANTITY

QTY/REEL	REEL/CARTON	QTY/CARTON
1250	10	12500

COVER TAPE PEELING FORCE: 50gf~150gf



<Figure 3>



NOTE:

- Place the product in the download as shown in <Figure 1>, and place 1 PCS product per hole.
- After the packaging machine is wrapped, stick tape on each equal point of the REEL to prevent the REEL from opening.
Each REEL affixed 1PCS label, as shown in <Figure 2>
- The packaging quantity is shown as <TABLE 1>
- Packed into a box, as shown in <Figure 3>
Put the styrofoam board at the bottom of the box, and then put the specified number of rolled products in waterproof bags and put them in the box.
Put four triangular guards into the four corners, and put the styrofoam board on the top layer.
- Seal the box, write the material number, quantity, etc. on the sealed carton according to customer requirements

REV.	EC#	DESCRIPTION	DATE	DRAWING	CHECKED	APPROVED
A0		NEW RELEASE	2018.04.12	Michael	Mark	Cornelia

MILLIMETERS	INCH	UNITS	WECONN® 深圳市微连电子有限公司 ShenZhen Welink Electronics Co.,Ltd			
X.° ± 2°	X.° ± 2°	MM	PART NUMBER:		TITLE:	
.X ± 0.30	.XX ± 0.012	MAT'L	WL-SIM150-075		MICRO SIM卡座 插拔式 8P 带检测脚	
.XX ± 0.20	.XXX ± 0.008	FINISH	DWG NO.:		APPD:	Cornelia
.XXX ± 0.10	.XXXX ± 0.004	SEE NOTES	WL-SIM150-075		CHKD:	Mark
THESE DRAWINGS AND PECIFICATION ARE Welink ShenZhen Welink Electronics Co.,Ltd COPIED OR USED IN ANY MANNER WITHOUT Welink ShenZhen Welink Electronics Co.,Ltd			QTY SEE NOTES		DR:	Michael
			SCALE	SHEET	REV.	
			1:1	2/2	A1	