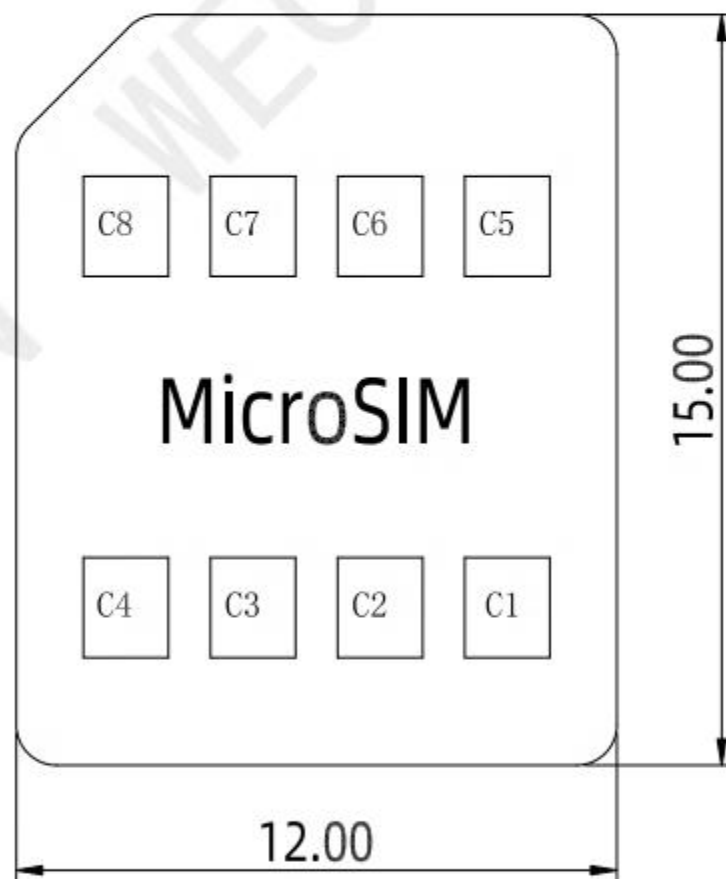
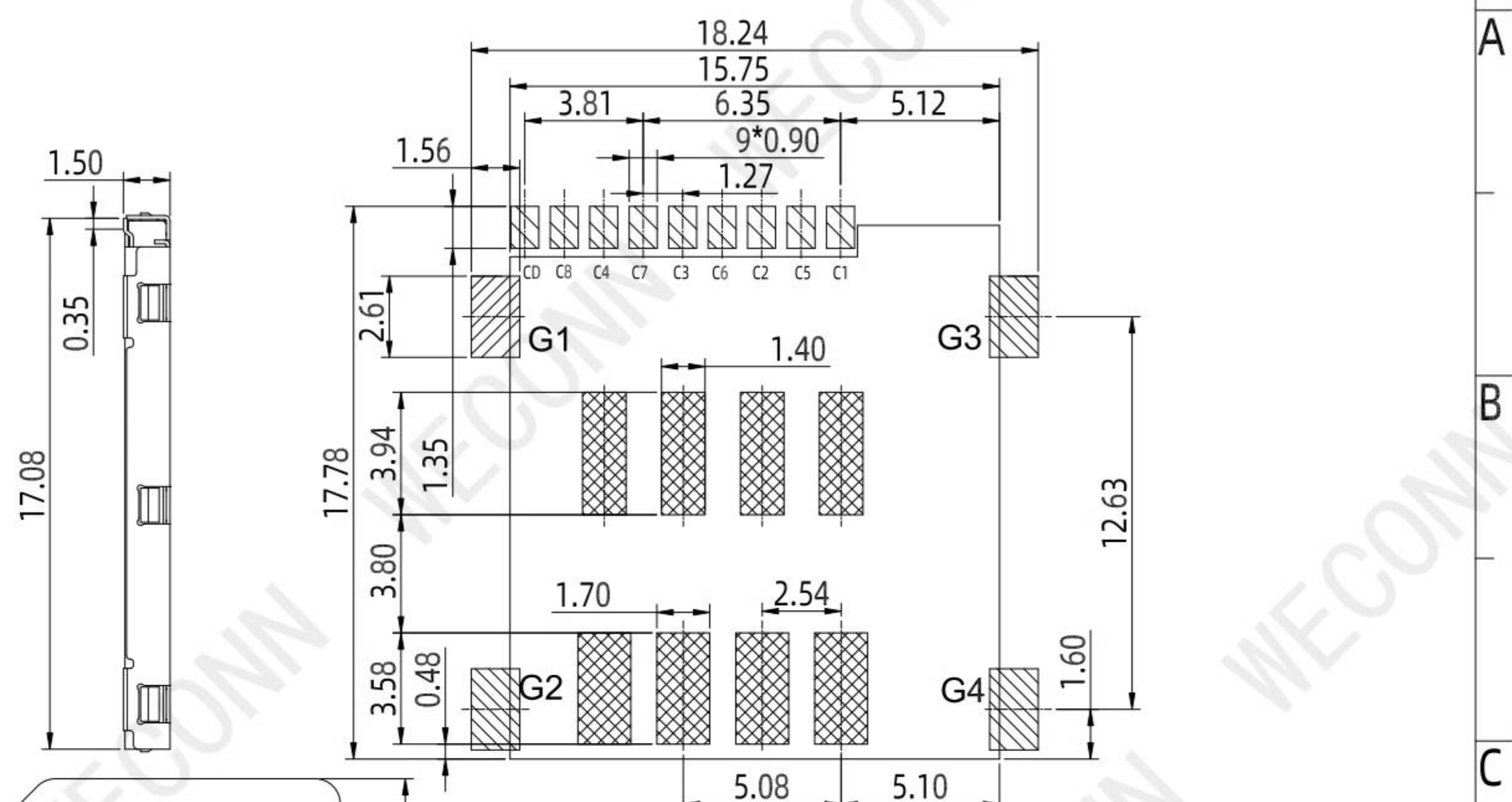
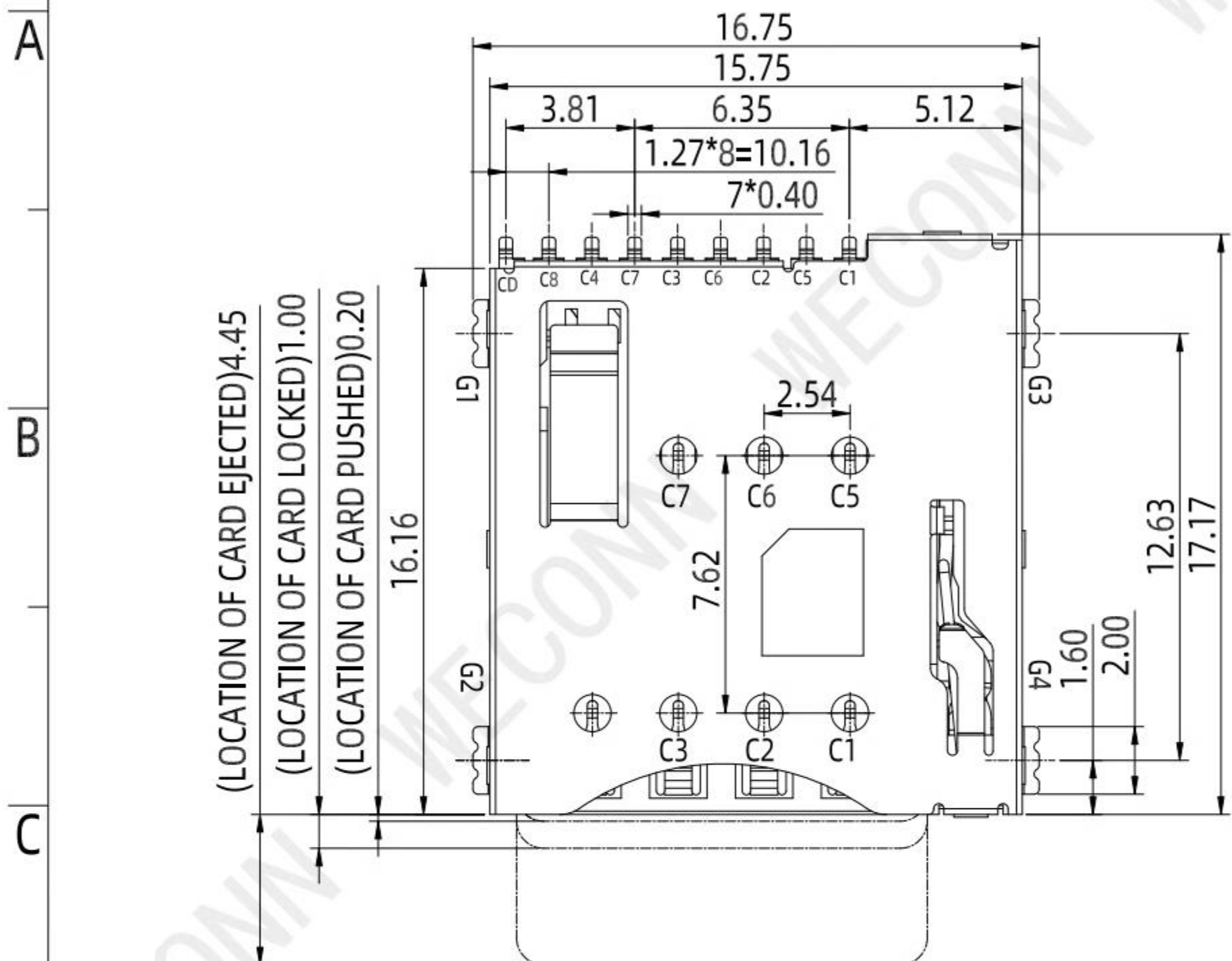


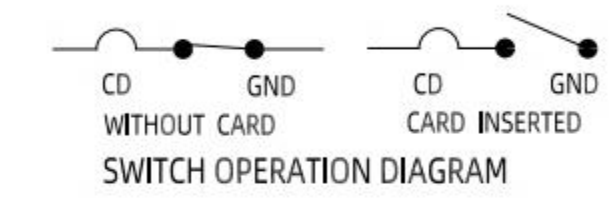
RoHS

REV.	EC#	DESCRIPTION	DATE	DRAWING	CHECKED	APPROVED
A0		NEW RELEASE	2020.05.30	Michael	Mark	Cornelia



PAD AREA
 KEEP OUT AREA
 RECOMMENDED P.C.B LAYOUT
 COMPONENT SIDE(TOLERANCE ±0.05)
 G1-GN pin is defined as GND

ELECTRIC FUNCTION	DETECT SWITCH
WITHOUT CARD	CLOSED
CARD INSERTED	OPEN



- NOTES:
- SPECIALITY:
 - Rated current:1.0A
 - Rated voltage:30V
 - Contact Resistance:50mΩ MAX
 - Insulation Resistance:1000MΩ MIN 500V DC
 - Dielectric withstanding voltage: 500V AC.
 - Solder ability:250±5°C, 5±0.5s.
 - Durability:5000 Cycles Min.
 - Operating condition:Temperature-40°C ~ +85°C;
Humidity 80% R.H MAX

PLEASE CONTACT WELINK SALES REPRESENTATIVE TO VERIFY PRODUCT DETAILS & AVAILABILITY

MicroSIM CARD		MILLIMETERS	INCH	UNITS
Pin No.	NAME	X° ± 2°	X° ± 2°	MM
C1	VCC	.X ± 0.30	.XX ± 0.012	MAT'L SEE NOTES
C2	RST	.XX ± 0.20	.XXX ± 0.008	FINISH SEE NOTES
C3	CLK	.XXX± 0.10	.XXXX± 0.004	QTY SEE NOTES
C4	Reserved	THESE DRAWINGS AND PECIFICATION ARE Welink ShenZhen Welink Electronics Co.,Ltd COPIED OR USED IN ANY MANNER WITHOUT Welink ShenZhen Welink Electronics Co.,Ltd		
C5	GND			
C6	VPP			
C7	I/O			
C8	Reserved			

WECONN 深圳市微连电子有限公司
ShenZhen Welink Electronics Co.,Ltd

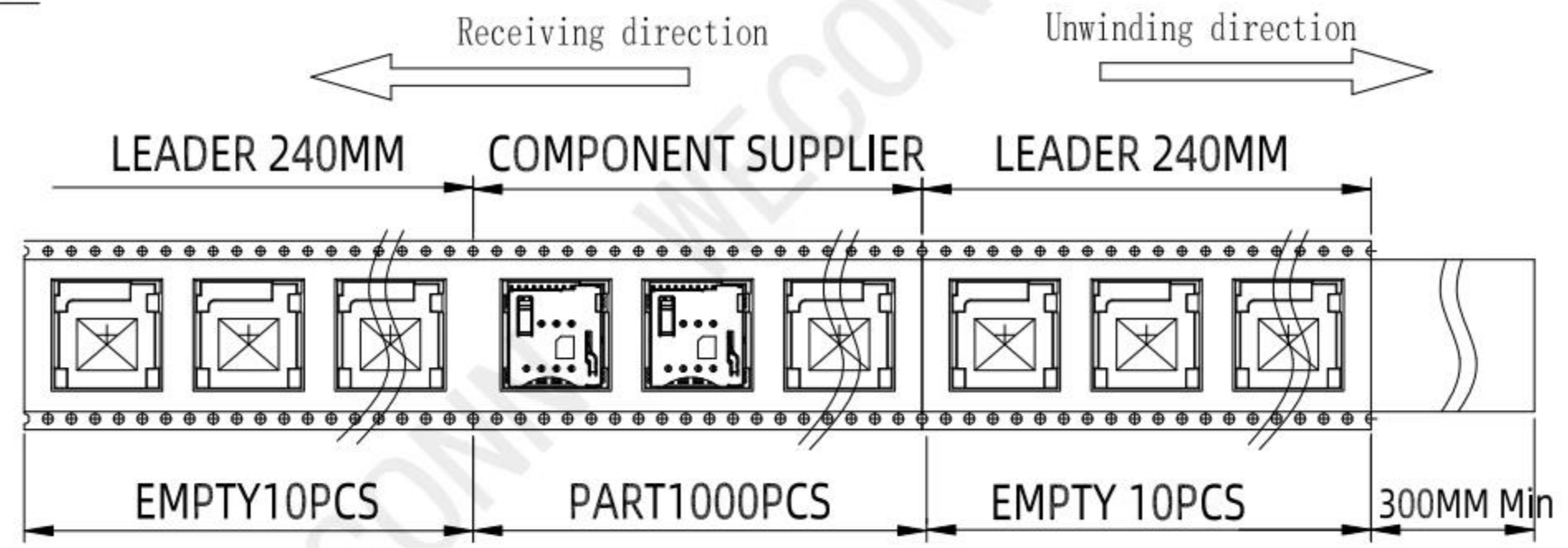
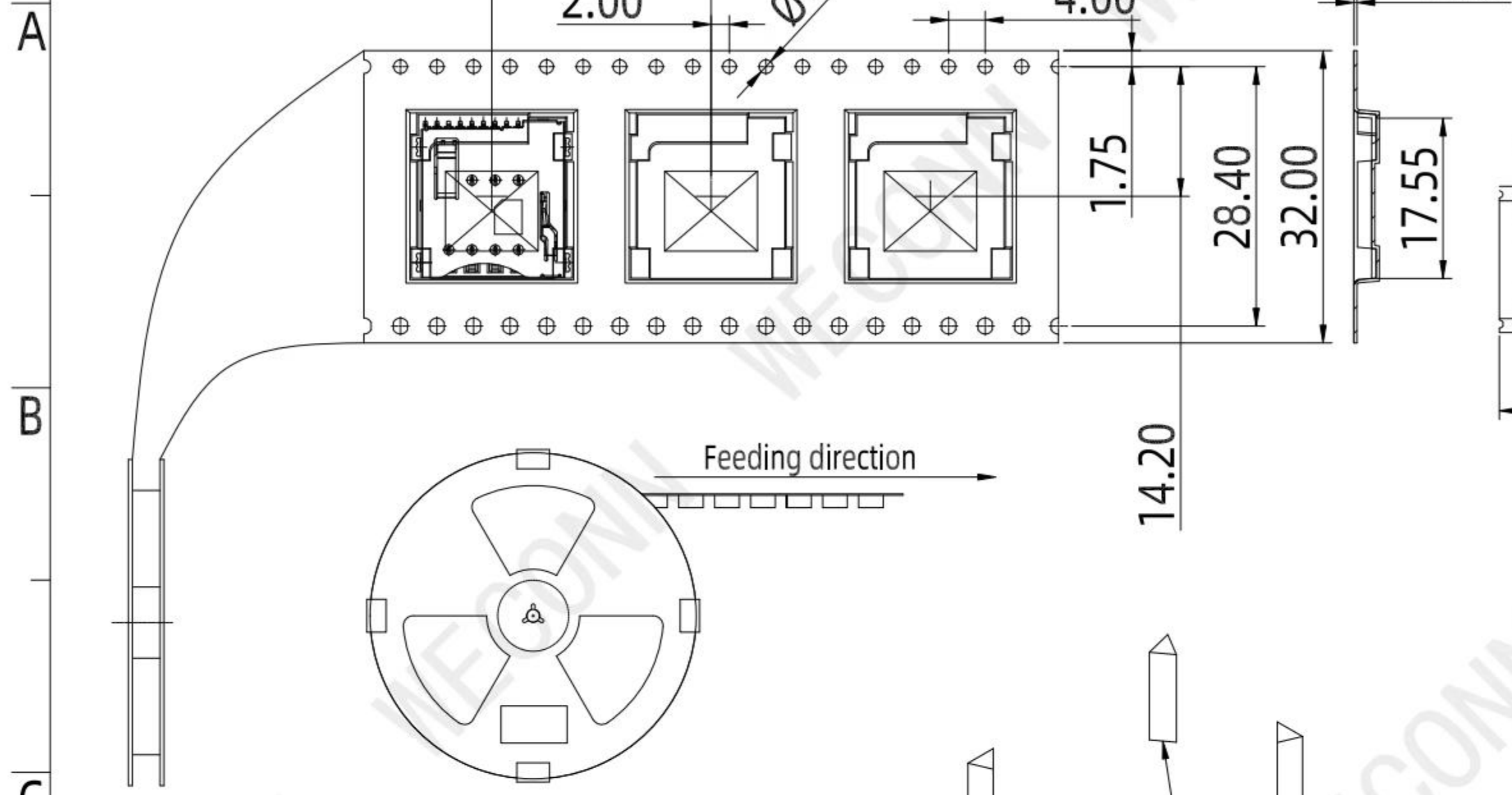
PART NUMBER: WL-SIM150-111
TITLE: MICRO SIM卡座 自弹式 8P 带检测脚 防呆

DWG NO.: WL-SIM150-111
SCALE: 1:1 SHEET: 1/2 REV.: A1

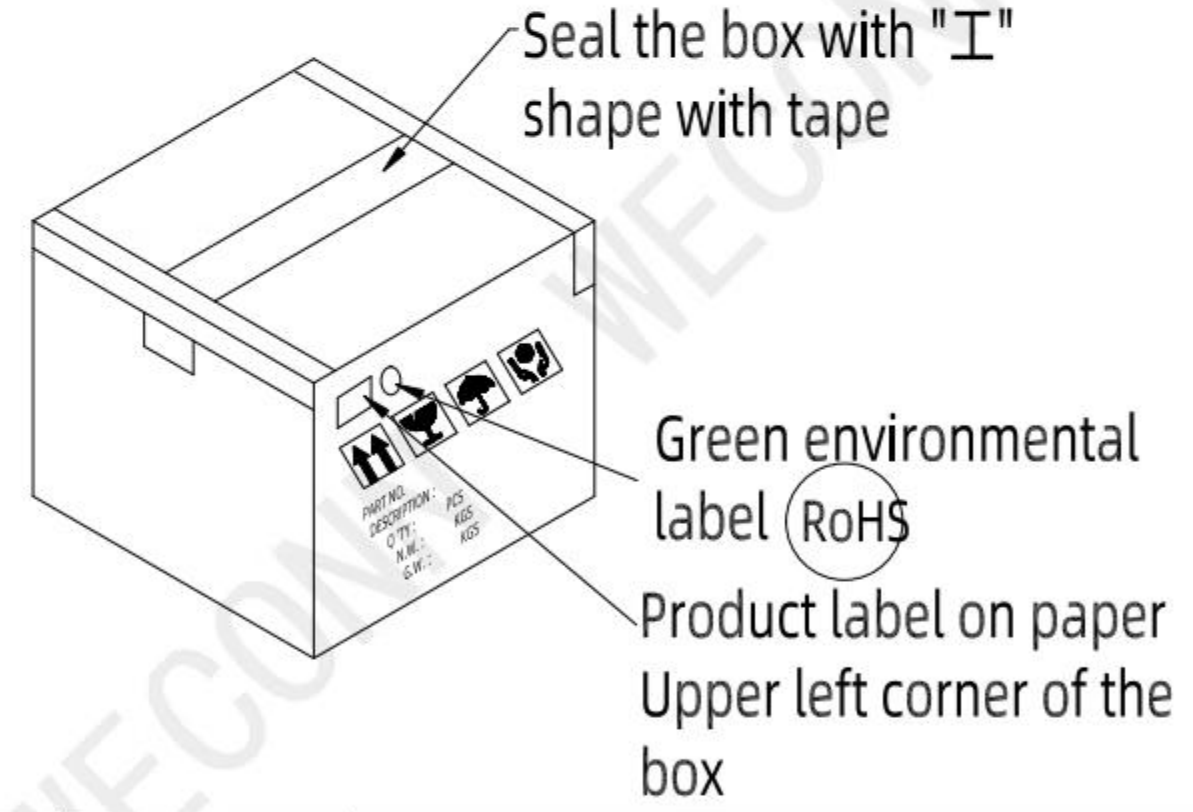
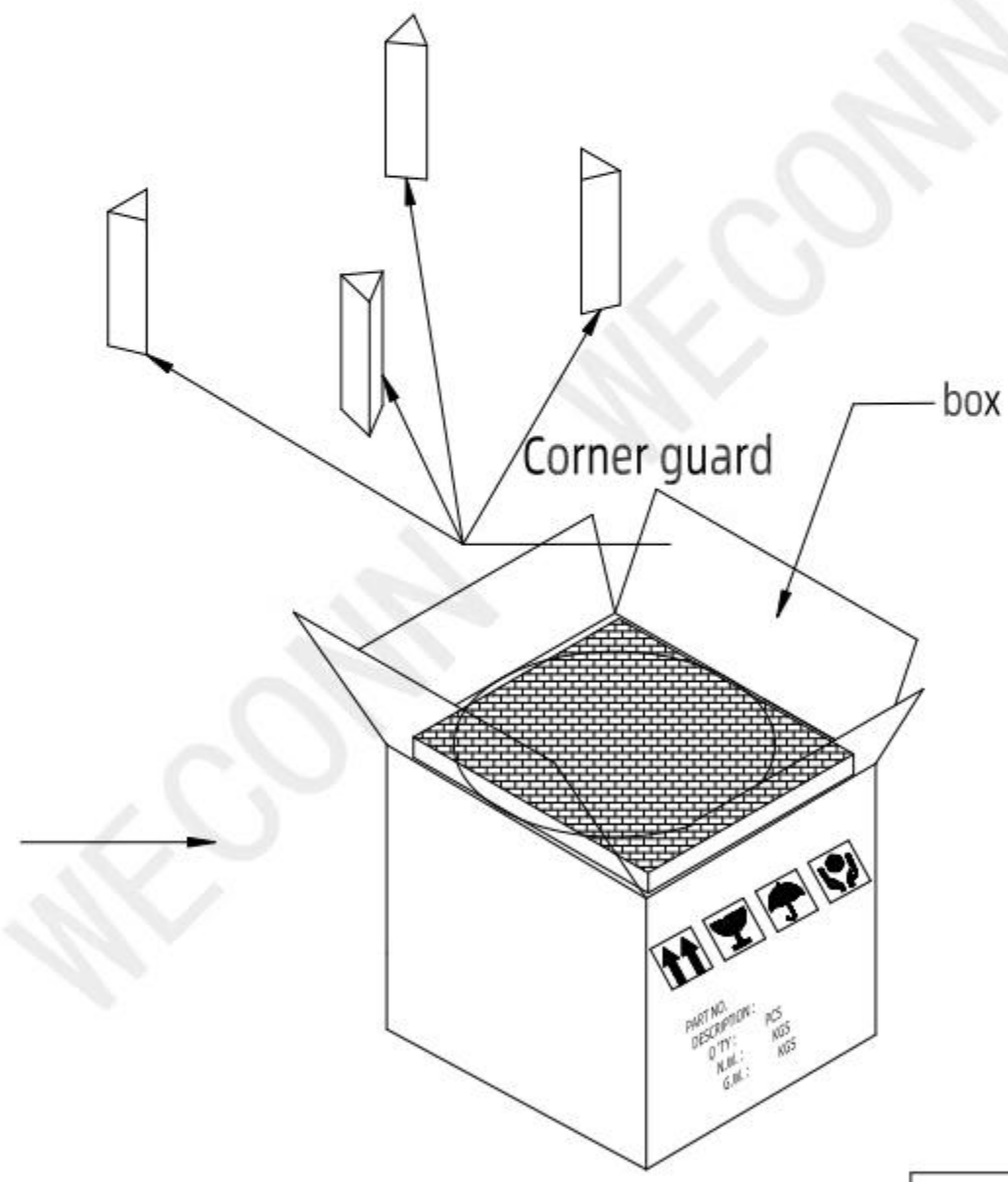
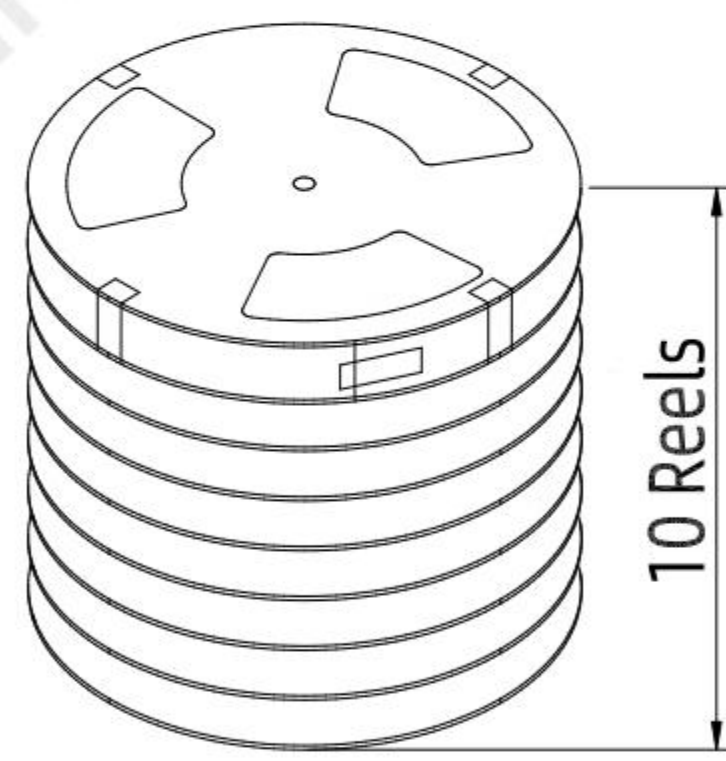
APPD: Cornelia
CHKD: Mark
DR: Michael

RoHS

REV.	EC#	DESCRIPTION	DATE	DRAWING	CHECKED	APPROVED
A0		NEW RELEASE	2020.05.30	Michael	Mark	Cornelia



QUANTITY OF PER REEL	1000PCS/REEL
QUANTITY OF PER CARTON	10*1000=10000PCS/CARTON



MILLIMETERS	INCH	UNITS	WECONN® 深圳市微连电子有限公司 ShenZhen Welink Electronics Co.,Ltd			
X.° ± 2°	X.° ± 2°	MM	PART NUMBER: WL-SIM150-111		TITLE: MICRO SIM卡座 自弹式 8P 带检测脚 防呆	
.X ± 0.30	.XX ± 0.012	MAT'L	DWG NO.: WL-SIM150-111		APPD:	Cornelia
.XX ± 0.20	.XXX ± 0.008	SEE NOTES	SCALE		CHKD:	Mark
.XXX ± 0.10	.XXXX ± 0.004	FINISH	1:1	SHEET	DR:	Michael
		SEE NOTES	2/2	REV.		
		QTY				
		SEE NOTES				

THESE DRAWINGS AND PECIFICATION ARE Welink ShenZhen Welink Electronics Co.,Ltd COPIED OR USED IN ANY MANNER WITHOUT Welink ShenZhen Welink Electronics Co.,Ltd

