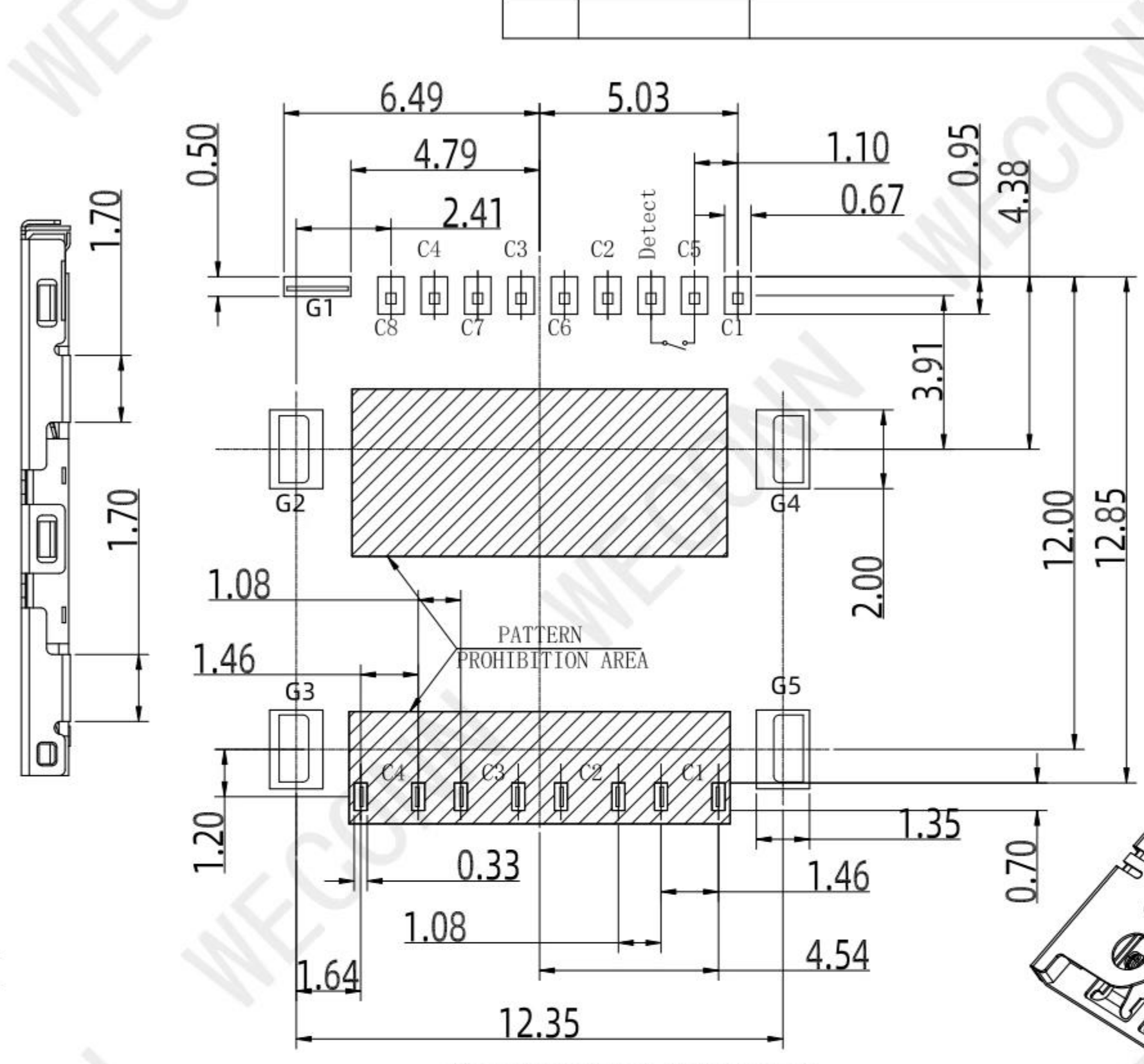
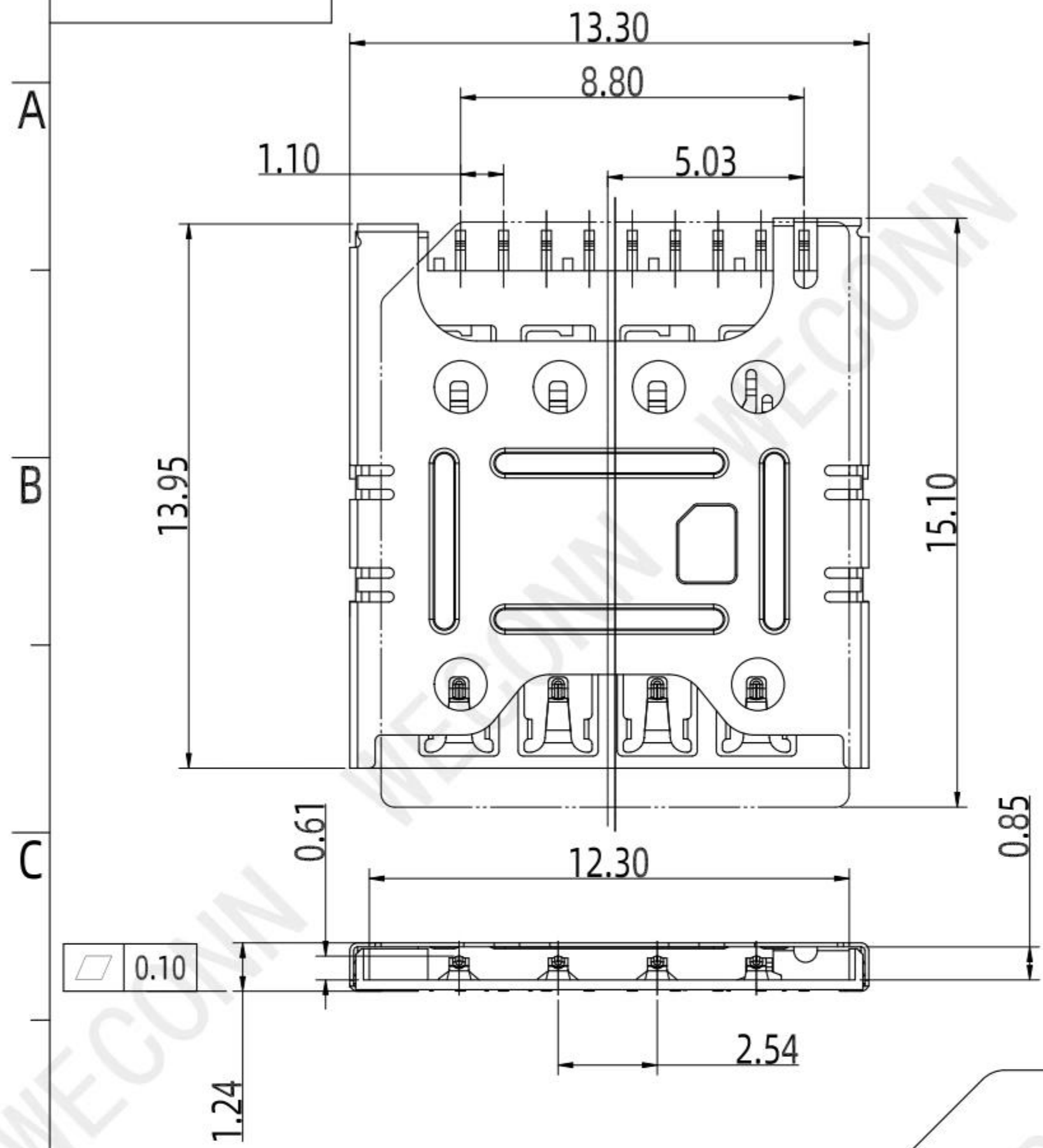


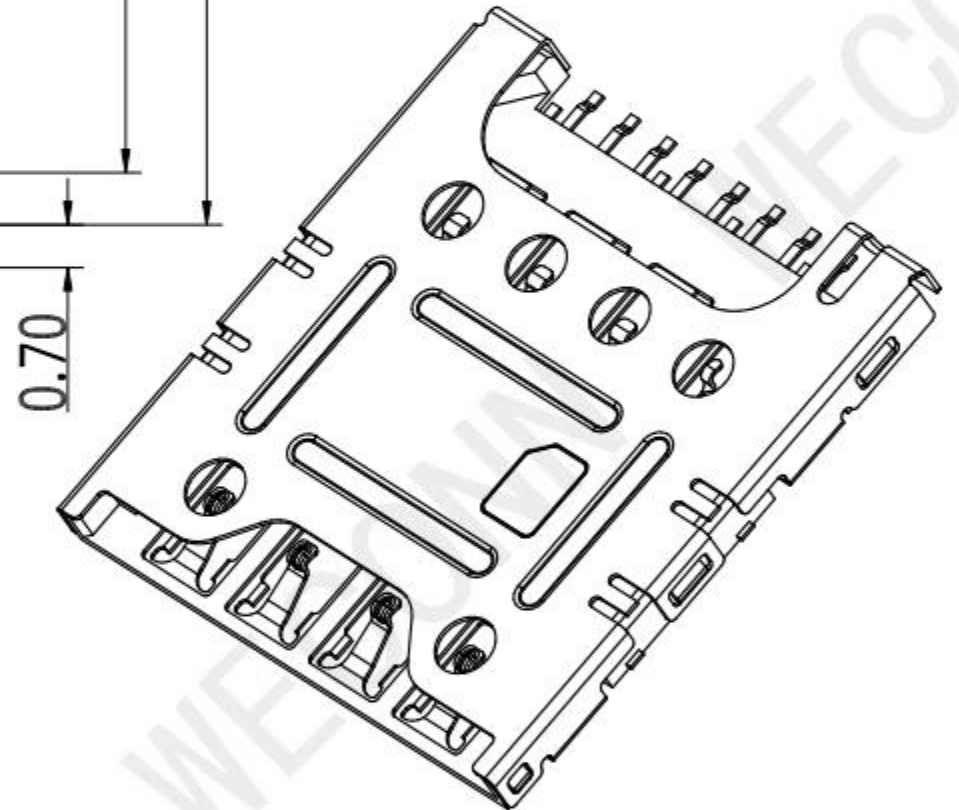
RoHS

REV.	EC#	DESCRIPTION	DATE	DRAWING	CHECKED	APPROVED
A0		NEW RELEASE	2019.12.27	Michael	Mark	Cornelia



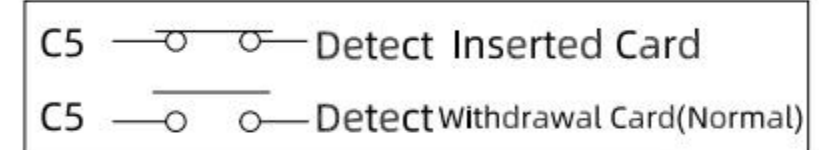
Pin Assignments

PIN	Name
C1	Vcc
C2	RST
C3	CLK
C4	Reserved
C5	GND
C6	Vpp
C7	I/O
C8	Reserved



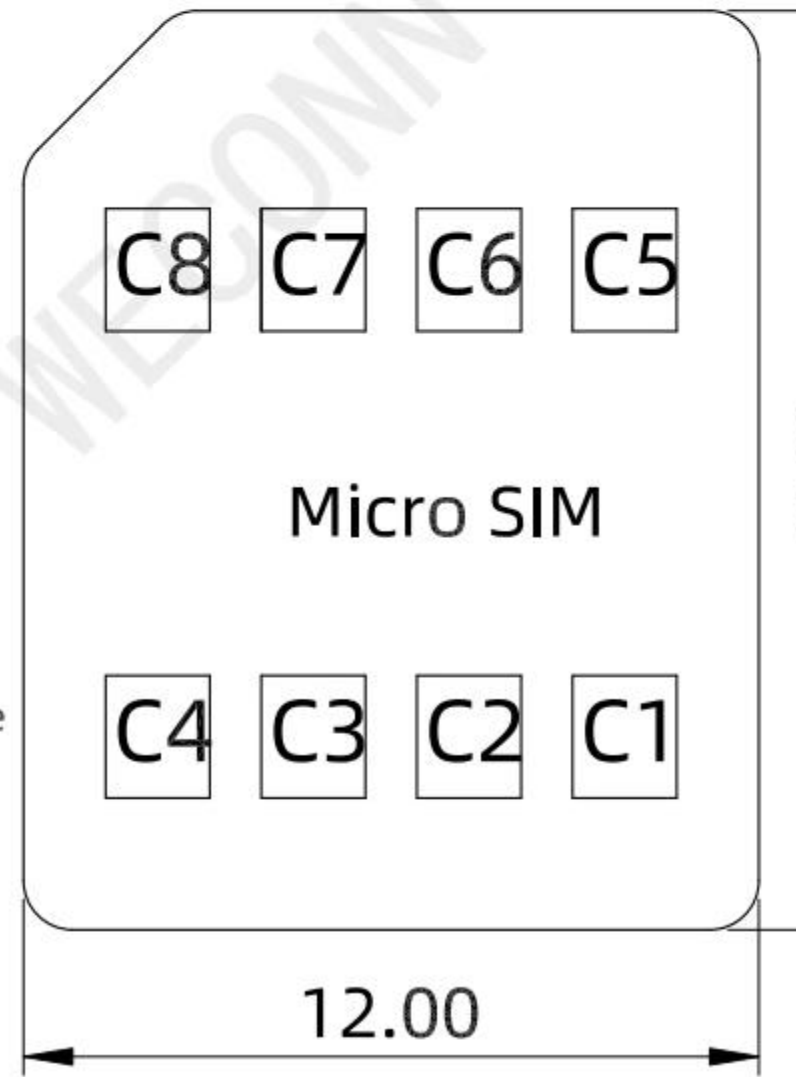
Recommended PCB Layout  
Tolerance: ±0.05  
G1-GN pin is defined as GND

NOTE:  
1. Material & Finish See Table;  
2. Circuit Diagram For Switch



3. Characteristic:  
3-1. Current Rating :1A max.  
3-2. Contact Resistance:100mOhms max  
3-3. Insulation Resistance:100MOhms min./500VDC  
3-4. Dielectric Withstanding Voltage:500VAC/1minute  
3-6. Durability: 2000 Cycles  
3-7. Operating Temperature:-25°C to+85°C

PLEASE CONTACT WELINK SALES REPRESENTATIVE TO VERIFY PRODUCT DETAILS & AVAILABILITY



Item	Part Name	Material	Description
4	Shell	Stainless Steel	Nickel Under Plated Overall. g/f plated on solder tails
3	Housing	Thermoplastics	Black,UL94V-0
2	Detect	Copper Alloy	Gold Flash on Solder Tails and Contact Area; Nickel Under Plated Overall.
1	Terminal	Copper Alloy	Gold Flash on Solder Tails and Contact Area; Nickel Under Plated Overall.

MILLIMETERS	INCH	UNITS
X° ± 2°	X° ± 2°	MM
.X ± 0.30	.XX ± 0.012	MAT'L
.XX ± 0.20	.XXX ± 0.008	SEE NOTES
.XXX ± 0.10	.XXXX ± 0.004	FINISH
		SEE NOTES
		QTY
		SEE NOTES

**WECONN** 深圳市微连电子有限公司  
**ShenZhen Welink Electronics Co.,Ltd**

PART NUMBER: **WL-SIM124-139** TITLE: **MICRO SIM卡座 插拔式 8P 带检测脚**

DWG NO.: **WL-SIM124-139** APPD: **Cornelia**

SCALE: 1:1 SHEET: 1/2 REV: A1 CHKD: **Mark**

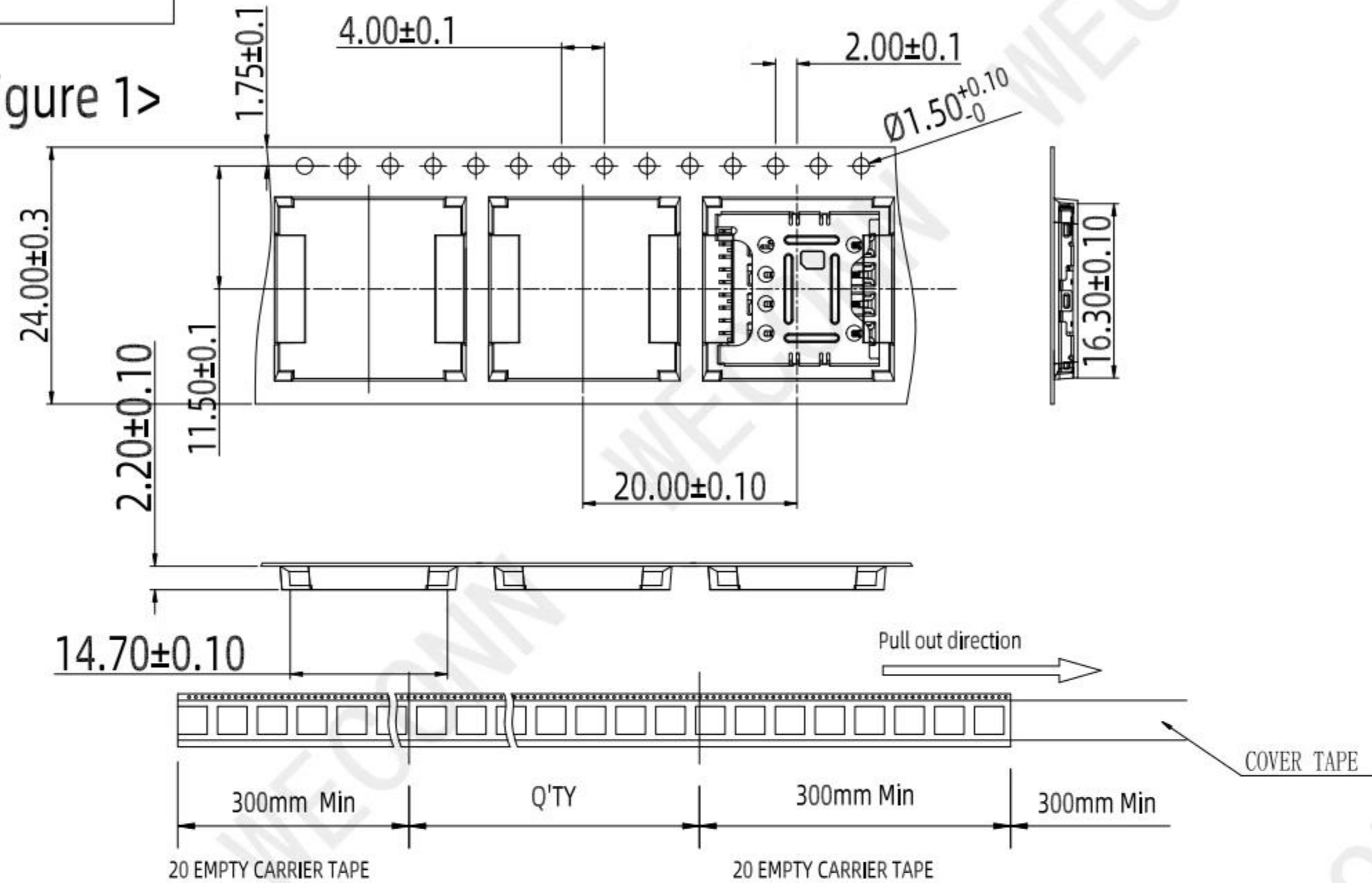
DR: **Michael**

THESE DRAWINGS AND SPECIFICATION ARE WECONN'S PROPERTY. COPIED OR USED IN ANY MANNER WITHOUT WECONN'S PERMISSION IS STRICTLY PROHIBITED.

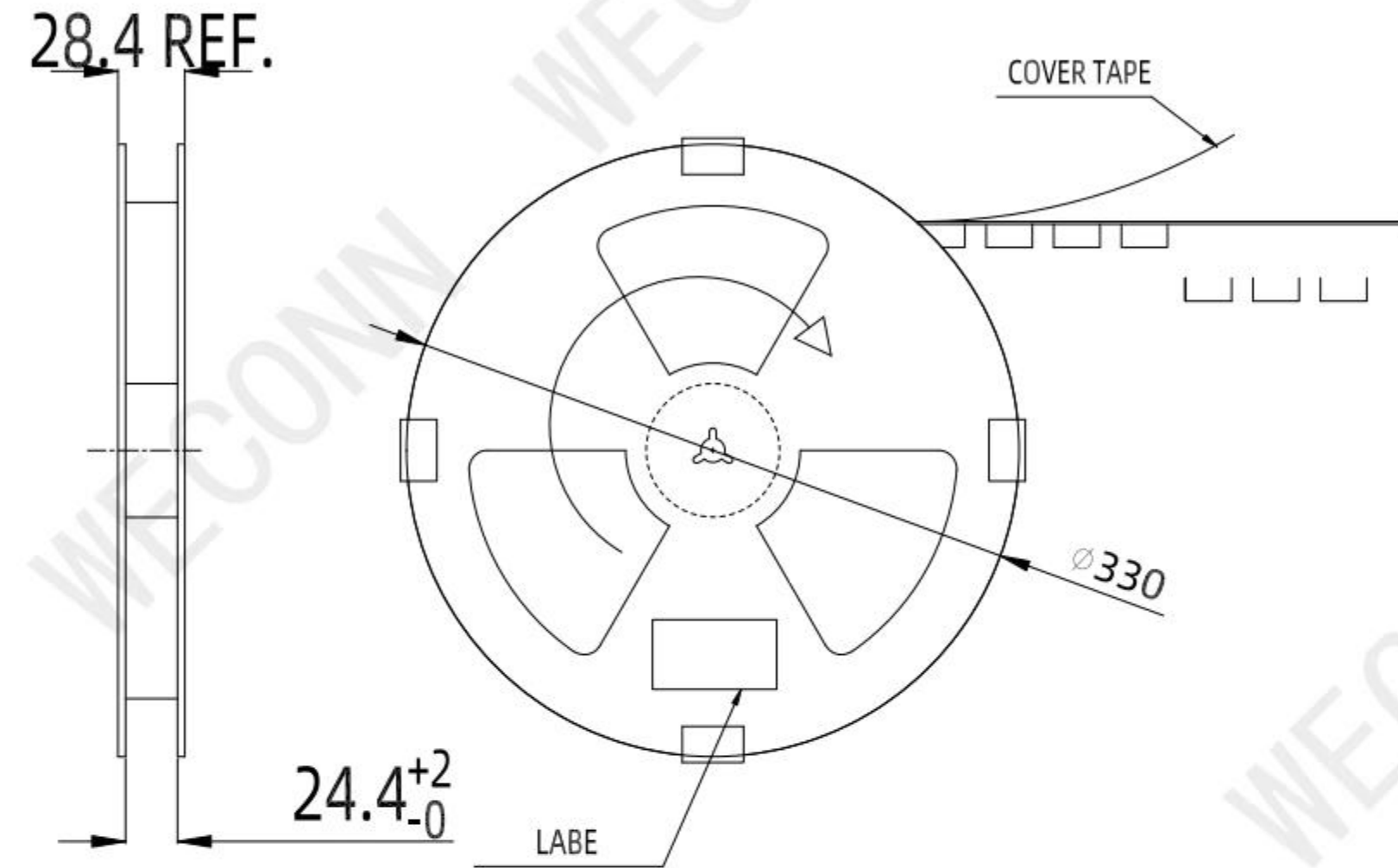
RoHS

REV.	EC#	DESCRIPTION	DATE	DRAWING	CHECKED	APPROVED
A0		NEW RELEASE	2019.12.27	Michael	Mark	Cornelia

<Figure 1>



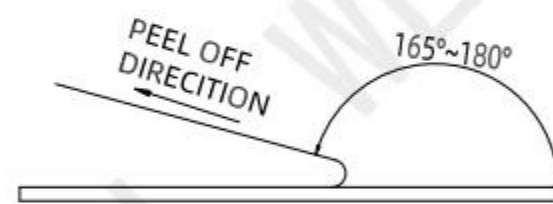
<Figure 2>



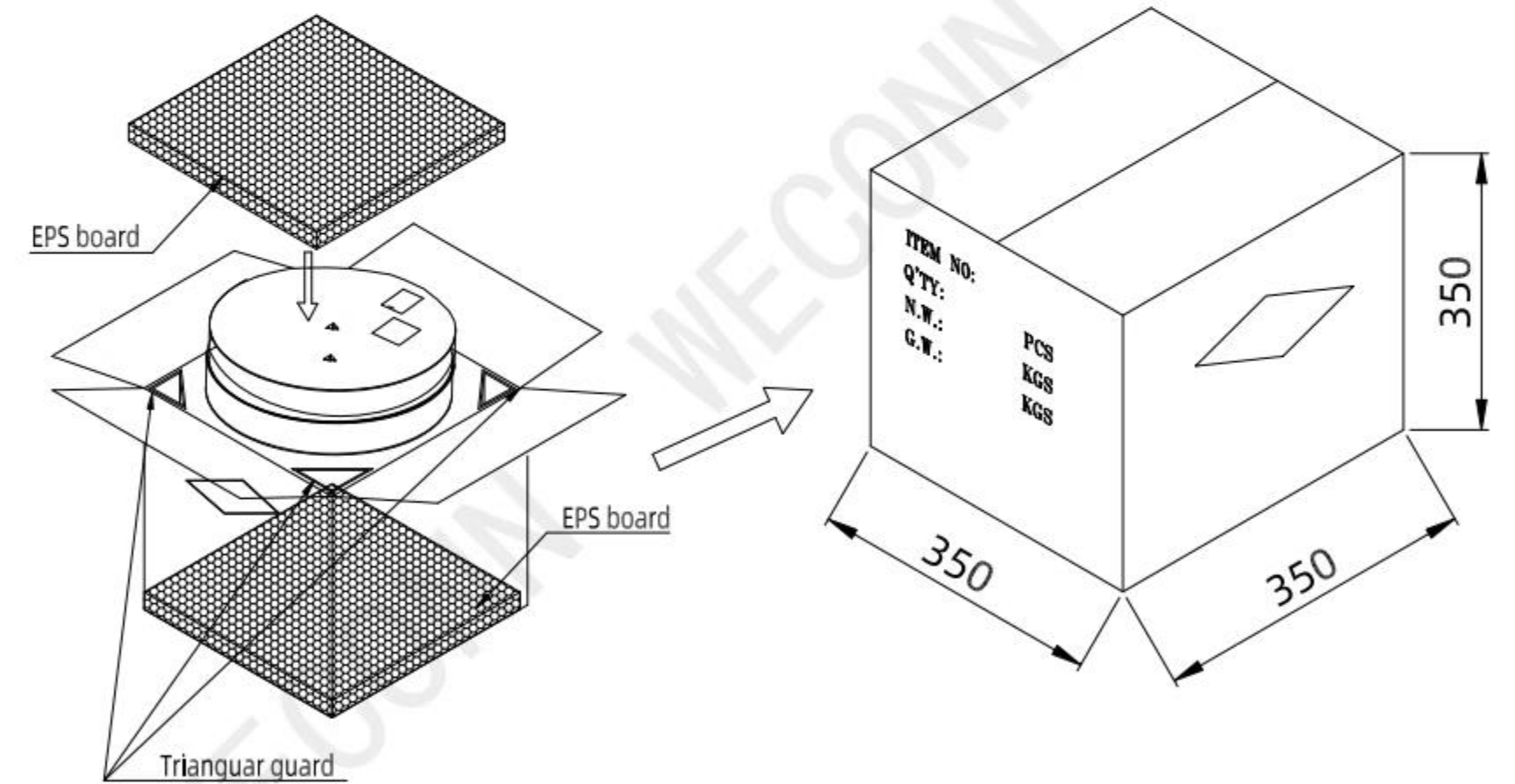
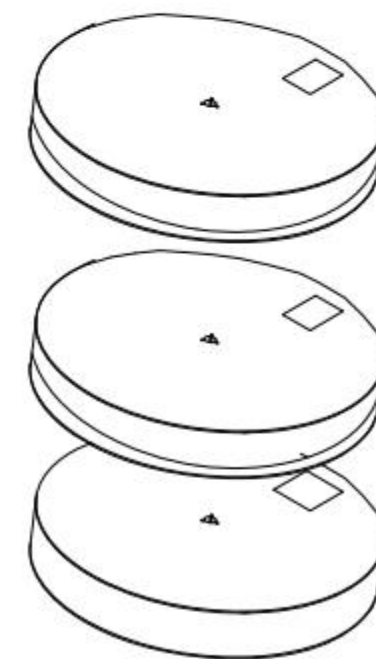
<TABLE 1> PACKAGING QUANTITY

QTY/REEL	REEL/CARTON	QTY/CARTON
1000	10	10000

COVER TAPE PEELING FORCE: 50gf~150gf



<Figure 3>



NOTE:

- Place the product in the download as shown in <Figure 1>, and place 1 PCS product per hole.
- After the packaging machine is wrapped, stick tape on each equal point of the REEL to prevent the REEL from opening.  
Each REEL affixed 1PCS label, as shown in <Figure 2>
- The packaging quantity is shown as <TABLE 1>
- Packed into a box, as shown in <Figure 3>  
Put the styrofoam board at the bottom of the box, and then put the specified number of rolled products in waterproof bags and put them in the box.  
Put four triangular guards into the four corners, and put the styrofoam board on the top layer.
- Seal the box, write the material number, quantity, etc. on the sealed carton according to customer requirements

MILLIMETERS	INCH	UNITS	WECONN® 深圳市微连电子有限公司 ShenZhen Welink Electronics Co.,Ltd			
X.° ± 2°	X.° ± 2°	MM	PART NUMBER: WL-SIM124-139		TITLE: MICRO SIM卡座 插拔式 8P 带检测脚	
.X ± 0.30	.XX ± 0.012	MAT'L	DWG NO.: WL-SIM124-139		APPD:	Cornelia
.XX ± 0.20	.XXX ± 0.008	FINISH	SCALE		CHKD:	Mark
.XXX ± 0.10	.XXXX ± 0.004	SEE NOTES	1:1	SHEET	DR:	Michael
THESE DRAWINGS AND PECIFICATION ARE Welink ShenZhen Welink Electronics Co.,Ltd COPIED OR USED IN ANY MANNER WITHOUT Welink ShenZhen Welink Electronics Co.,Ltd		QTY SEE NOTES	2/2	REV.		
			A1			