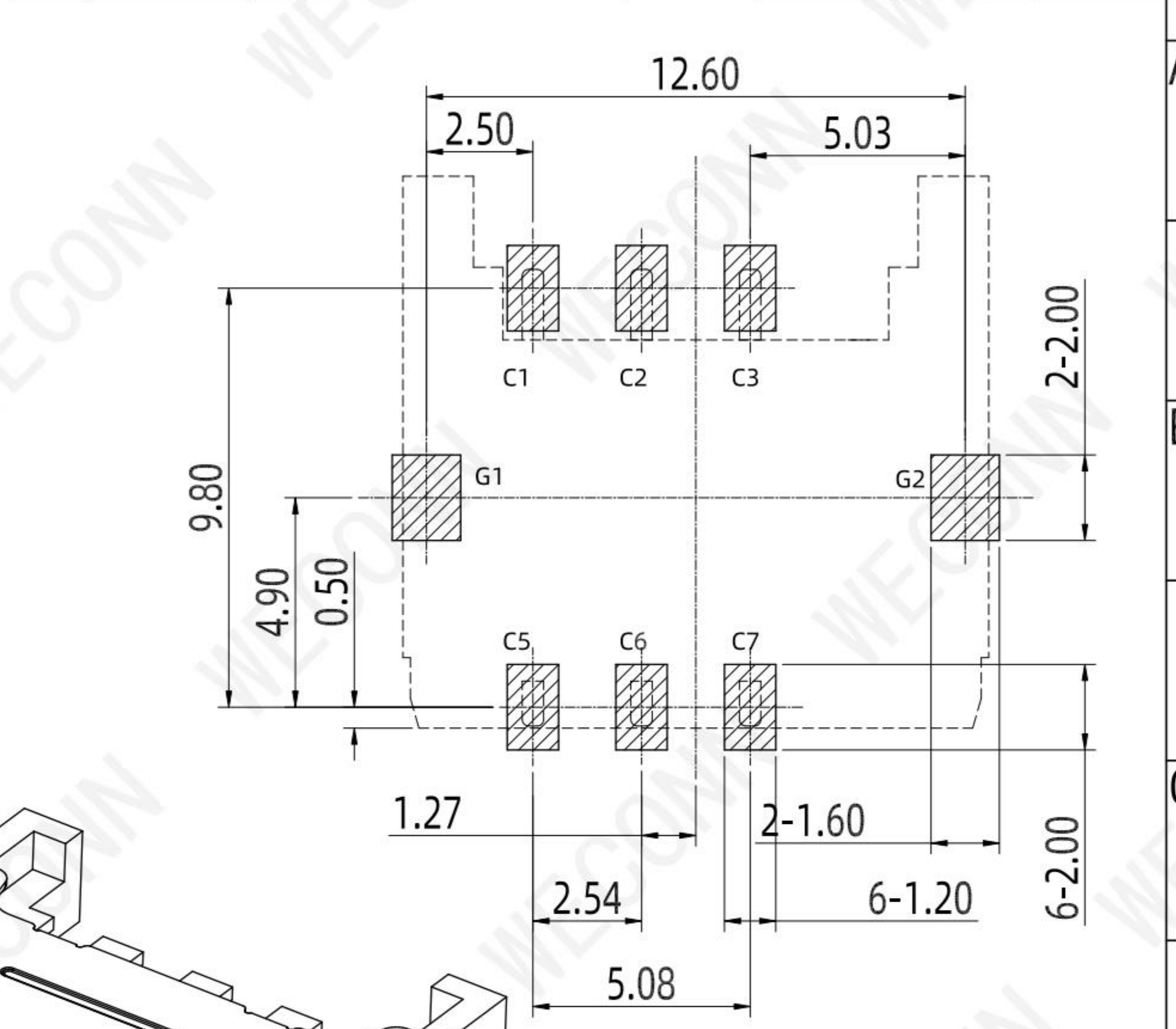
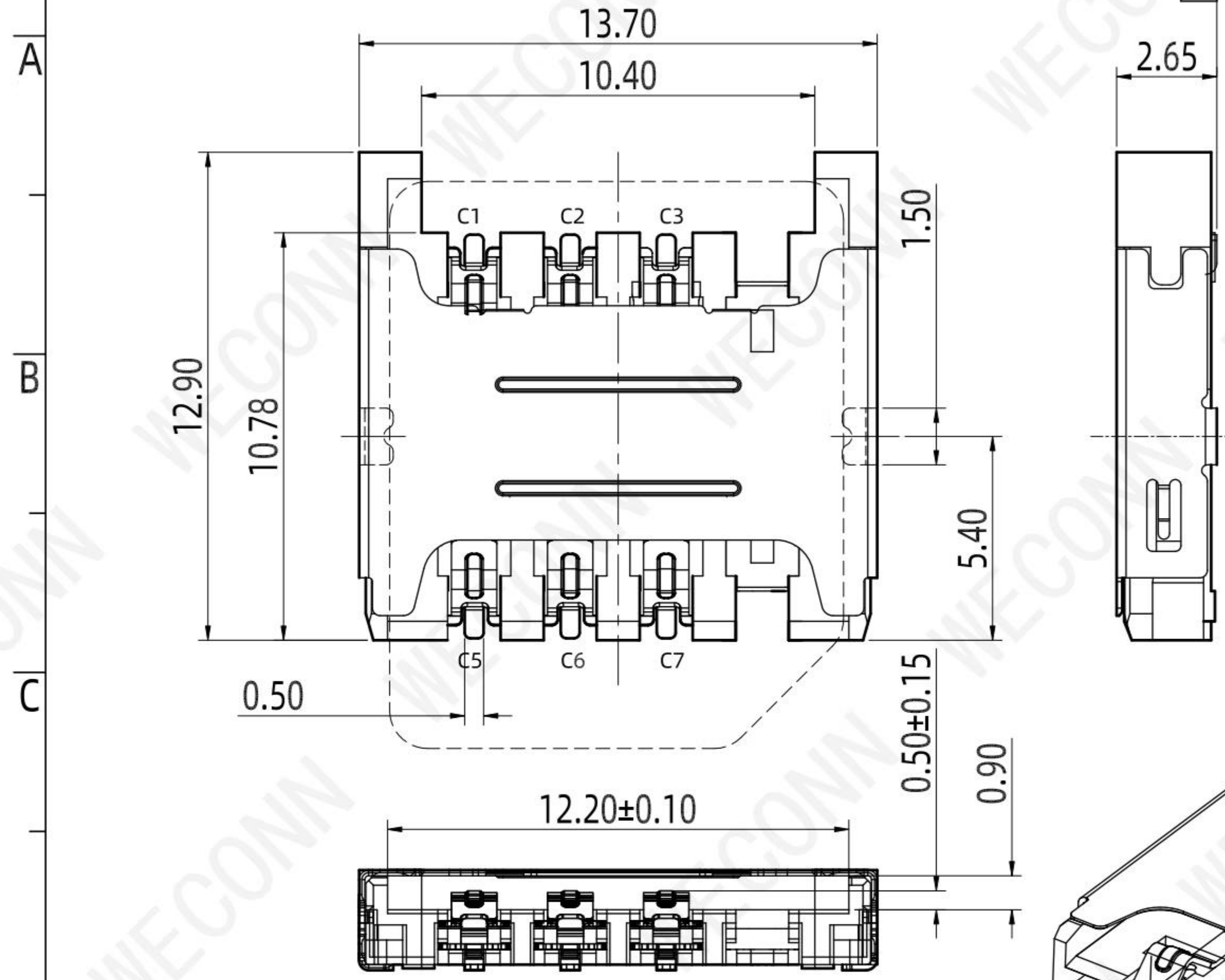


RoHS

REV.	EC#	DESCRIPTION	DATE	DRAWING	CHECKED	APPROVED
A0		NEW RELEASE	2018.05.05	Michael	Mark	Cornelia



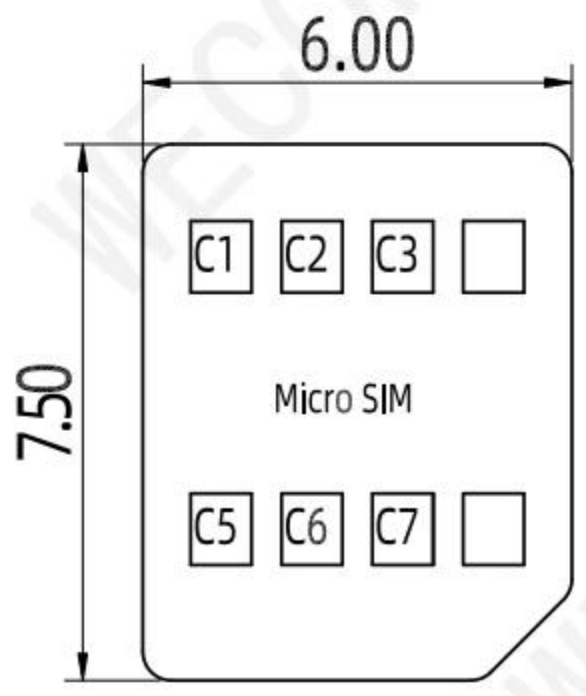
Pin Assignments

PIN	Name
C1	Vcc
C2	RST
C3	CLK
C5	GND
C6	Vpp
C7	I/O

MATERIALS

- HOUSING : THERMOPLASTIC (UL 94V-0).
- TERMINAL : COPPER ALLOY,
PLATING :GOLD PLATED OVERALL.
- SHELL :STAINLESS STEEL.
PLATING :NICKEL PLATED OVERALL.
GOLD PLATED ON SOLDER TAILS

PLEASE CONTACT WELINK SALES REPRESENTATIVE TO VERIFY PRODUCT DETAILS & AVAILABILITY



MILLIMETERS	INCH	UNITS
X ± 0.2	X ± 5°	MM
.X ± 0.15	.X ± 2°	MAT'L SEE NOTES
.XX ± 0.1	.XX ± 1°	FINISH SEE NOTES
.XXX ± 0.01	.XXX ± 0.5°	QTY SEE NOTES

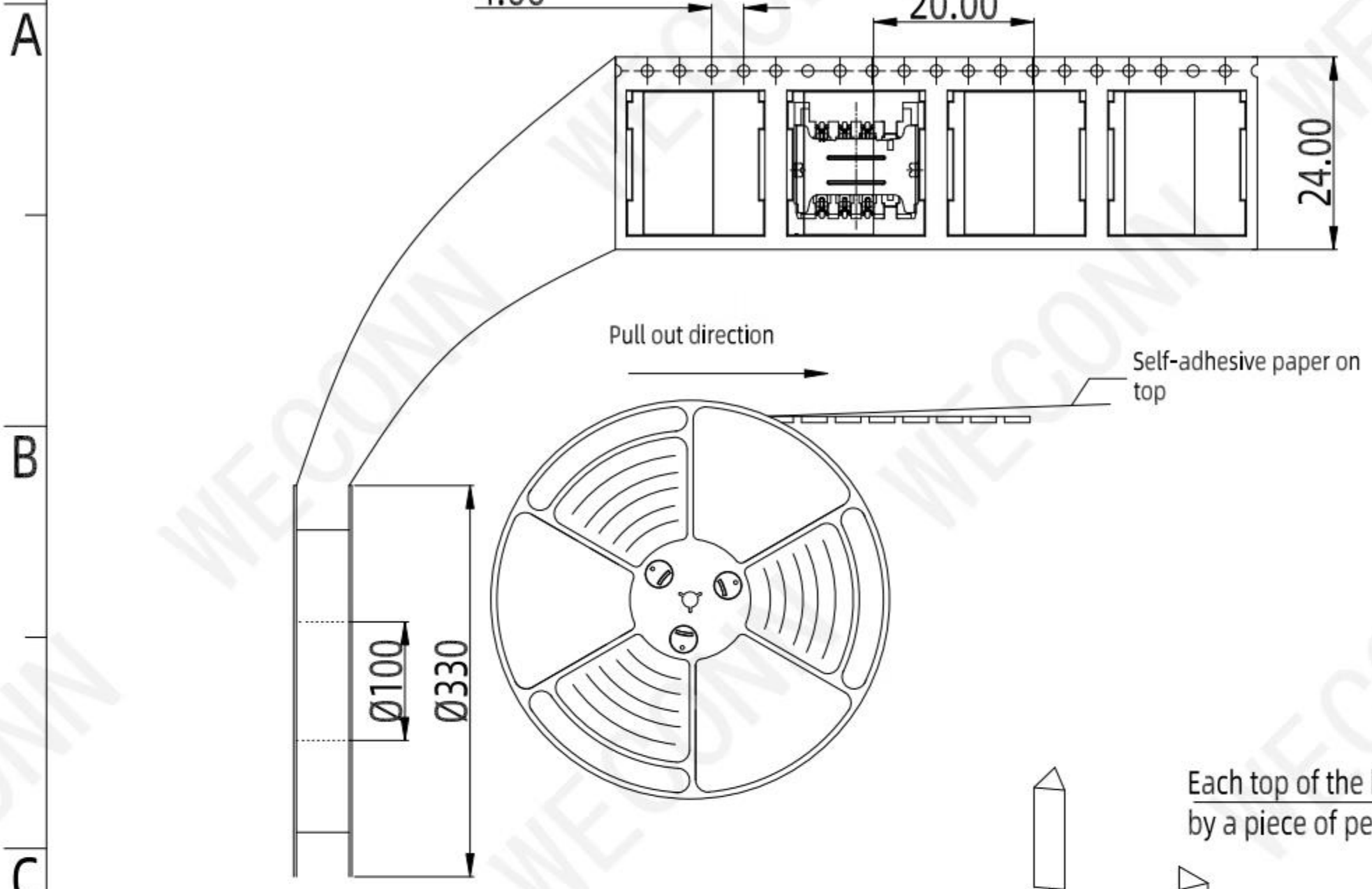
THESE DRAWINGS AND SPECIFICATION ARE Welink ShenZhen Welink Electronics Co.,Ltd COPIED OR USED IN ANY MANNER WITHOUT Welink ShenZhen Welink Electronics Co.,Ltd

WECONN 深圳市微连电子有限公司
ShenZhen Welink Electronics Co.,Ltd

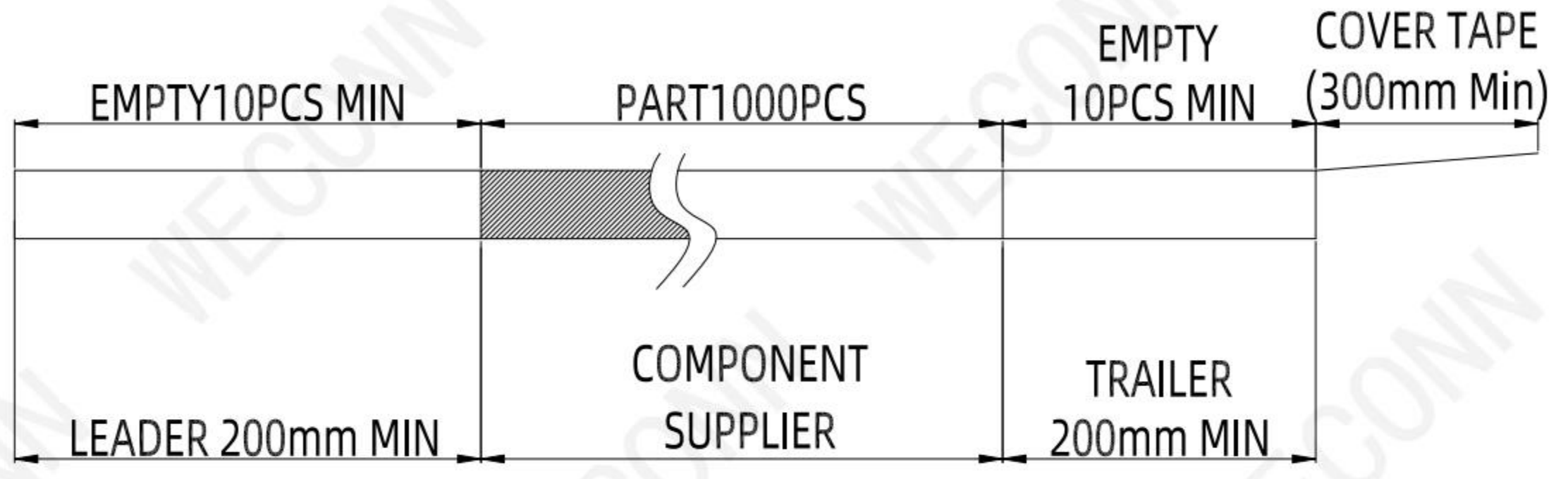
PART NUMBER: WL-SIM265-087		TITLE: MICRO SIM卡座 插拔式 6P	
DWG NO.: WL-SIM265-087		APPD:	Cornelia
SCALE	SHEET	CHKD:	Mark
1:1	1/2	DR:	Michael

RoHS

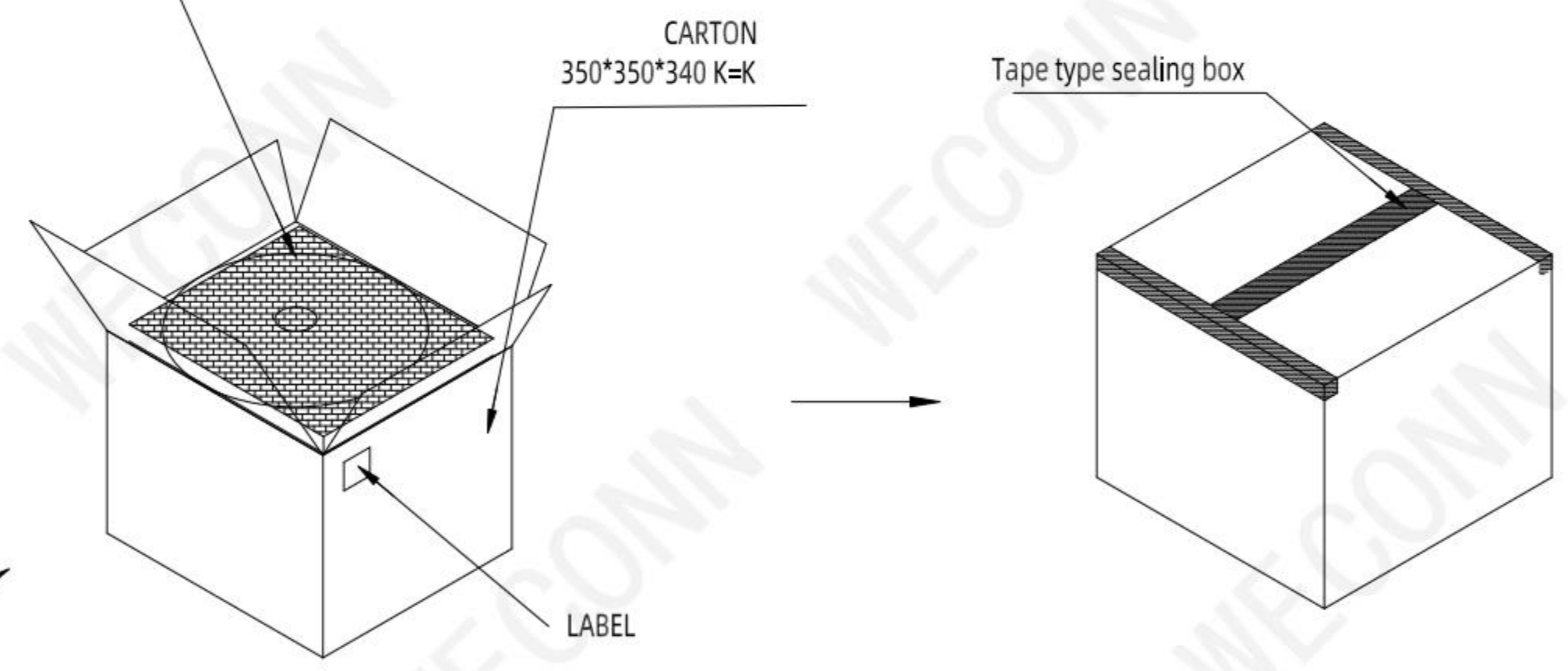
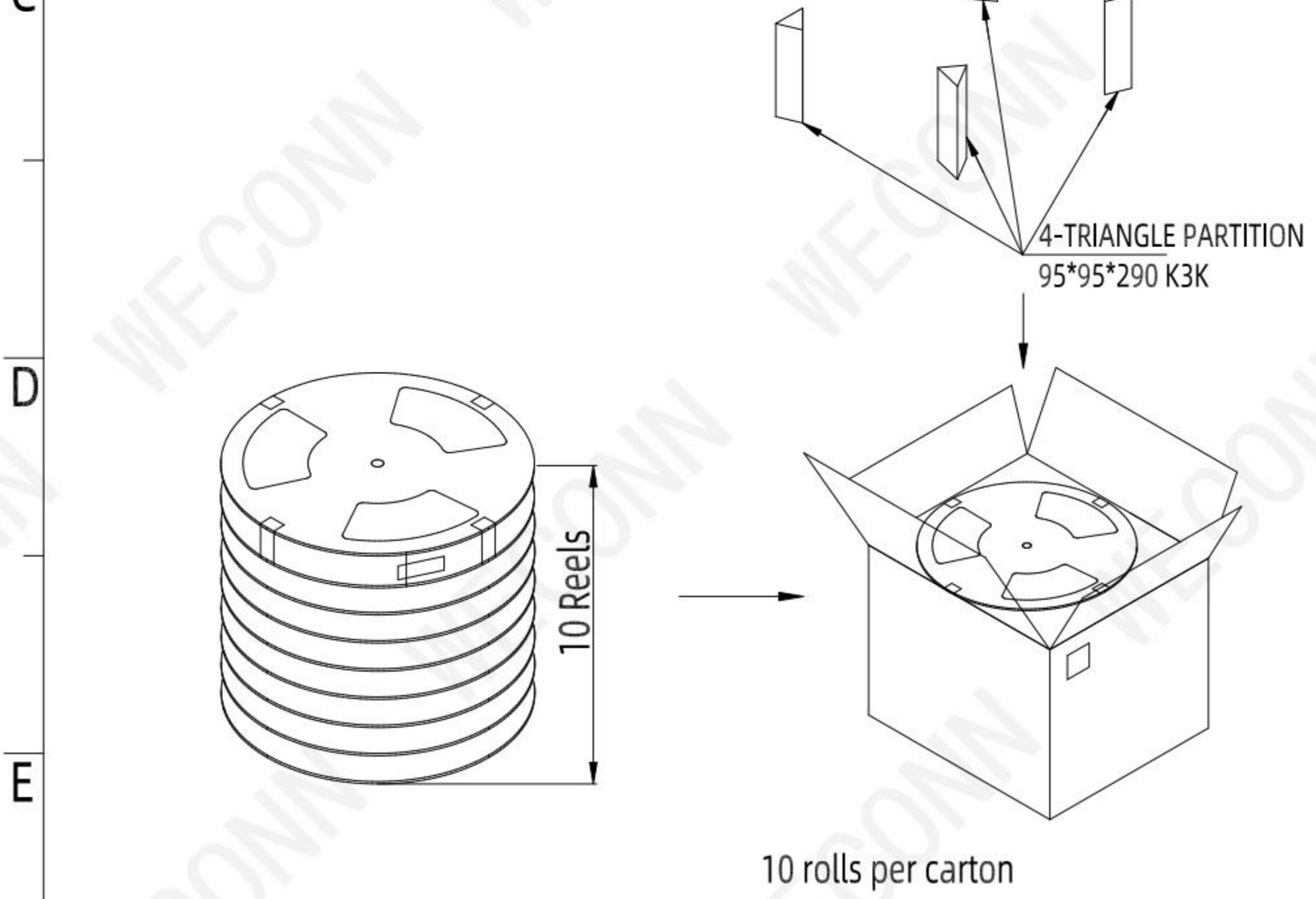
REV.	EC#	DESCRIPTION	DATE	DRAWING	CHECKED	APPROVED
A0		NEW RELEASE	2018.05.05	Michael	Mark	Cornelia



- NOTES
1. NUMBER OF CONNECTORS: 1000PCS/REEL
 2. LEAD TAPE LENGTH



3. QUANTITY: 10000PCS/CARTON



MILLIMETERS	INCH	UNITS
X. ± 0.2	X. ± 5°	MM
.X ± 0.15	.X ± 2°	MAT'L
.XX ± 0.1	.XX ± 1°	SEE NOTES
.XXX ± 0.01	.XXX ± 0.5°	FINISH
		SEE NOTES
		QTY
		SEE NOTES

THESE DRAWINGS AND PECIFICATION ARE Welink ShenZhen Welink Electronics Co.,Ltd COPIED OR USED IN ANY MANNER WITHOUT Welink ShenZhen Welink Electronics Co.,Ltd

WECONN 深圳市微连电子有限公司 ShenZhen Welink Electronics Co.,Ltd		
PART NUMBER: WL-SIM265-087		TITLE: MICRO SIM卡座 插拔式 6P
DWG NO.: WL-SIM265-087		APPD: Cornelia
SCALE: 1:1		CHKD: Mark
SHEET: 2/2	REV: A1	DR: Michael