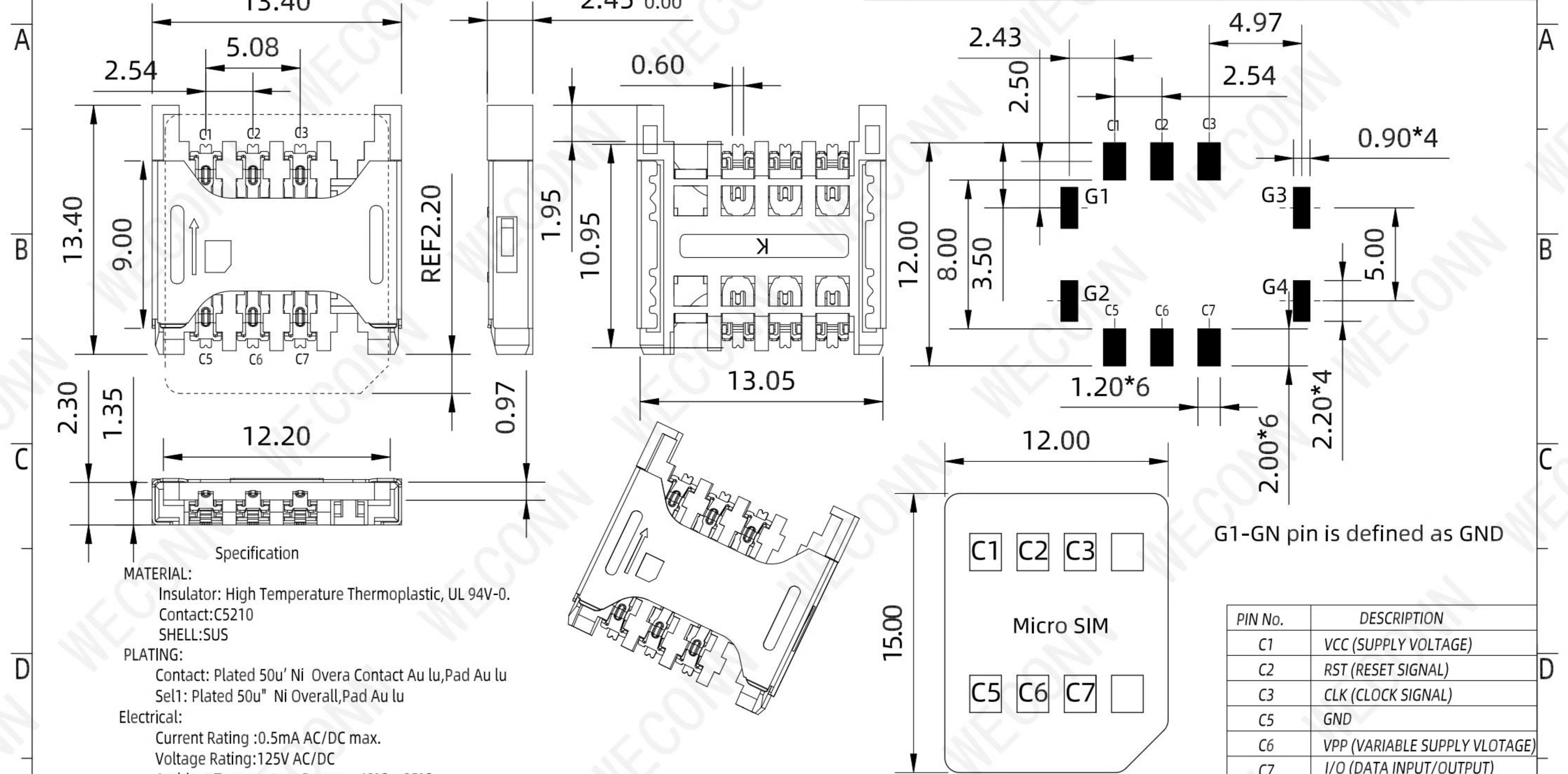


RoHS

REV.	EC#	DESCRIPTION	DATE	DRAWING	CHECKED	APPROVED
A0		NEW RELEASE	2018.05.17	Michael	Mark	Cornelia



**Specification**

**MATERIAL:**  
 Insulator: High Temperature Thermoplastic, UL 94V-0.  
 Contact: C5210  
 SHELL: SUS

**PLATING:**  
 Contact: Plated 50u' Ni Over a Contact Au lu, Pad Au lu  
 Sel1: Plated 50u" Ni Overall, Pad Au lu

**Electrical:**  
 Current Rating :0.5mA AC/DC max.  
 Voltage Rating:125V AC/DC  
 Ambient Temperature Range :-40°C~+85°C  
 Storage Temperature Range :-40°C~+85°C  
 Ambient Humidity Range :95% R.H Max.  
 Contact Resistance:100mΩmax.  
 Insulation Resistance:1000Mmin./500VDC  
 Mating Cycles:10,000 Insertions  
 Reflow peak temp.: 260°C±5°C, 3~5 S  
 Mating Cycles:5,000 Insertions Min

PLEASE CONTACT WELINK SALES REPRESENTATIVE TO VERIFY PRODUCT DETAILS & AVAILABILITY

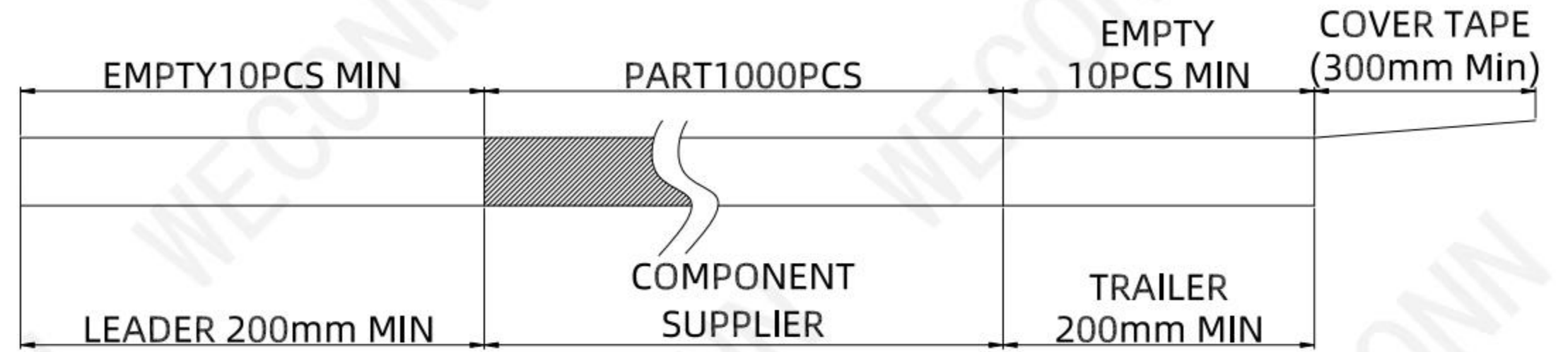
MILLIMETERS	INCH	UNITS	WECONN® 深圳市微连电子有限公司 ShenZhen Welink Electronics Co.,Ltd		
X.° ± 2°	X.° ± 2°	MM	PART NUMBER: <b>WL-SIM163-002</b> TITLE: <b>MICRO SIM卡座 插拔式 6P</b>		
.X ± 0.30	.XX ± 0.012	MAT'L SEE NOTES			
.XX ± 0.20	.XXX ± 0.008	FINISH SEE NOTES			
.XXX ± 0.10	.XXXX ± 0.004	QTY SEE NOTES			
THESE DRAWINGS AND SPECIFICATION ARE Welink ShenZhen Welink Electronics Co.,Ltd COPIED OR USED IN ANY MANNER WITHOUT Welink ShenZhen Welink Electronics Co.,Ltd			DWG NO.: <b>WL-SIM163-002</b>		
			SCALE	SHEET	REV.
			1:1	1/2	A1
			APPD: <b>Cornelia</b>		CHKD: <b>Mark</b>
			DR: <b>Michael</b>		

RoHS

REV.	EC#	DESCRIPTION	DATE	DRAWING	CHECKED	APPROVED
A0		NEW RELEASE	2018.05.17	Michael	Mark	Cornelia

NOTES

1. NUMBER OF CONNECTORS: 1000PCS/REEL
2. LEAD TAPE LENGTH



3. QUANTITY: 10000PCS/CARTON

A

B

C

D

E

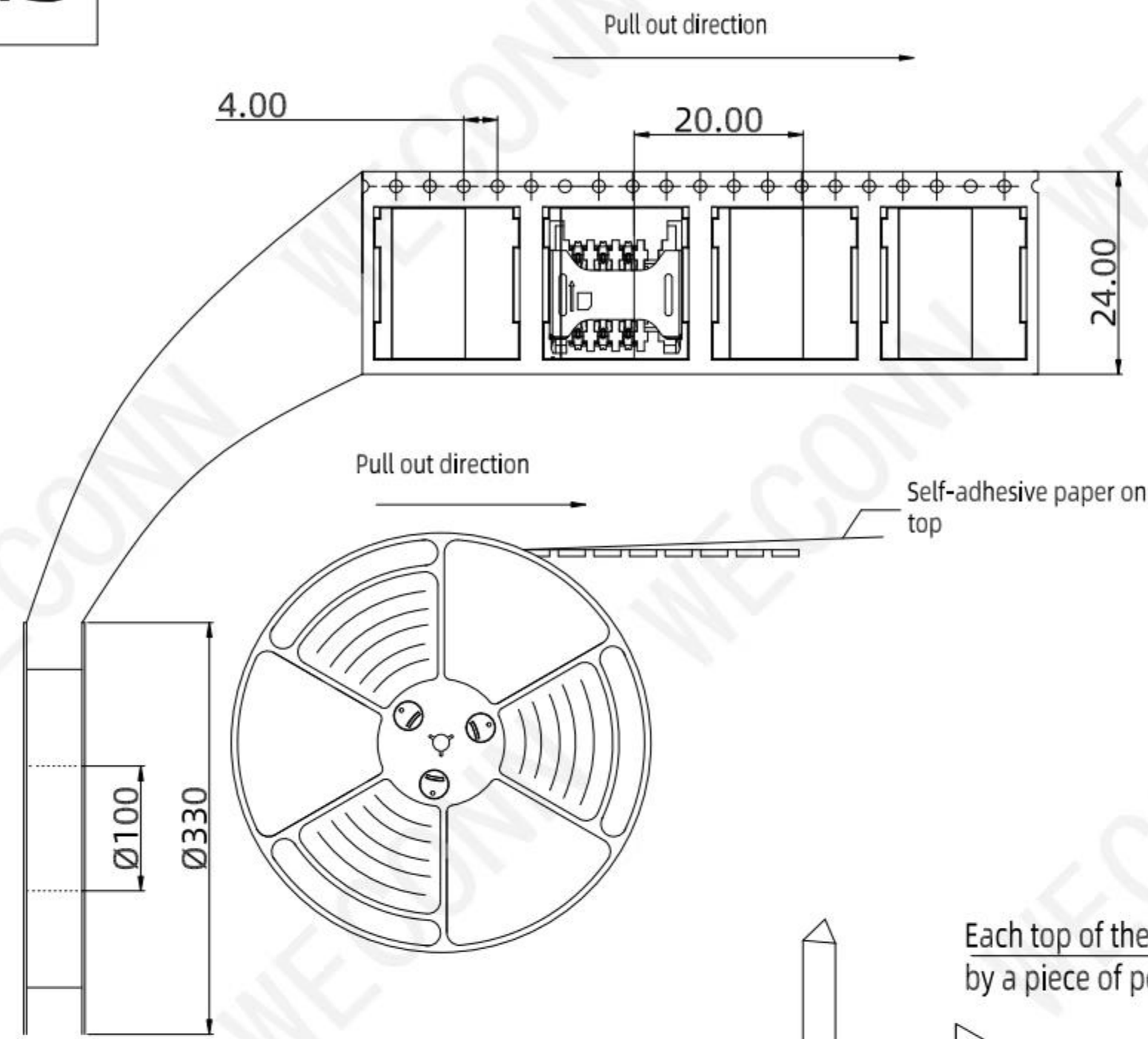
A

B

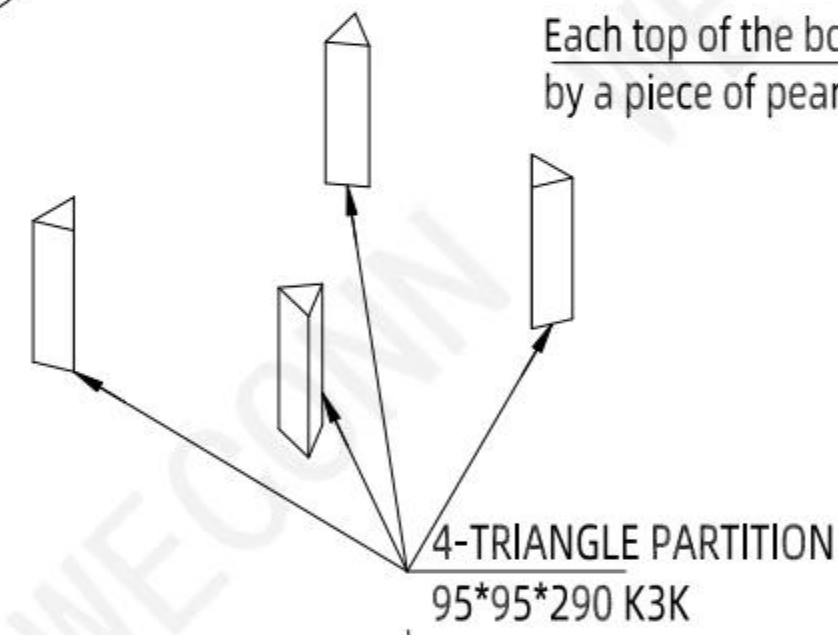
C

D

E

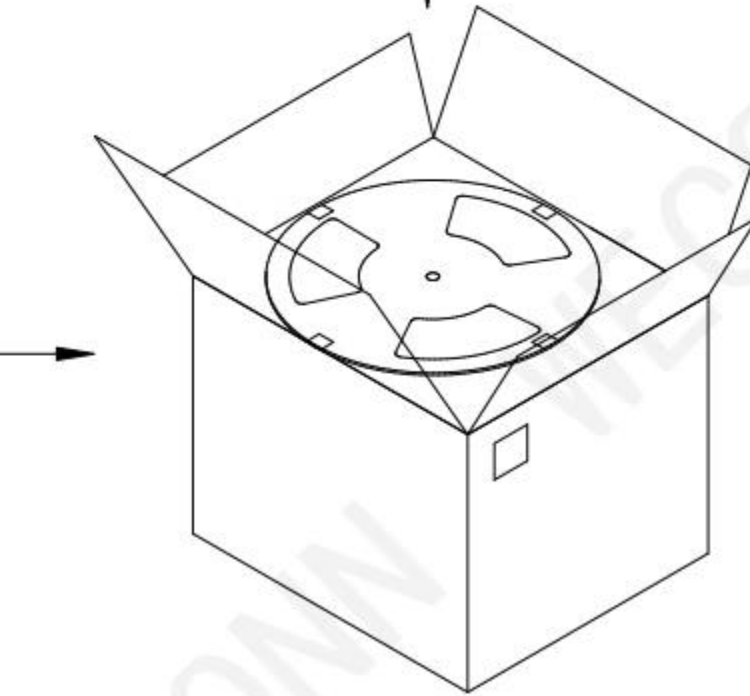
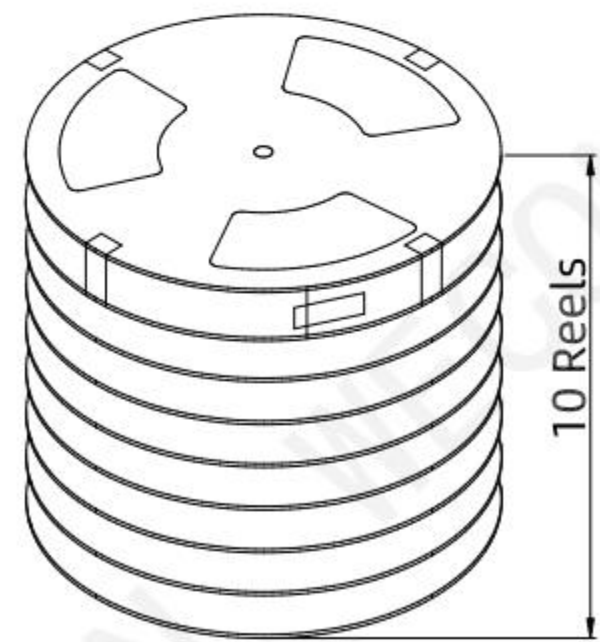
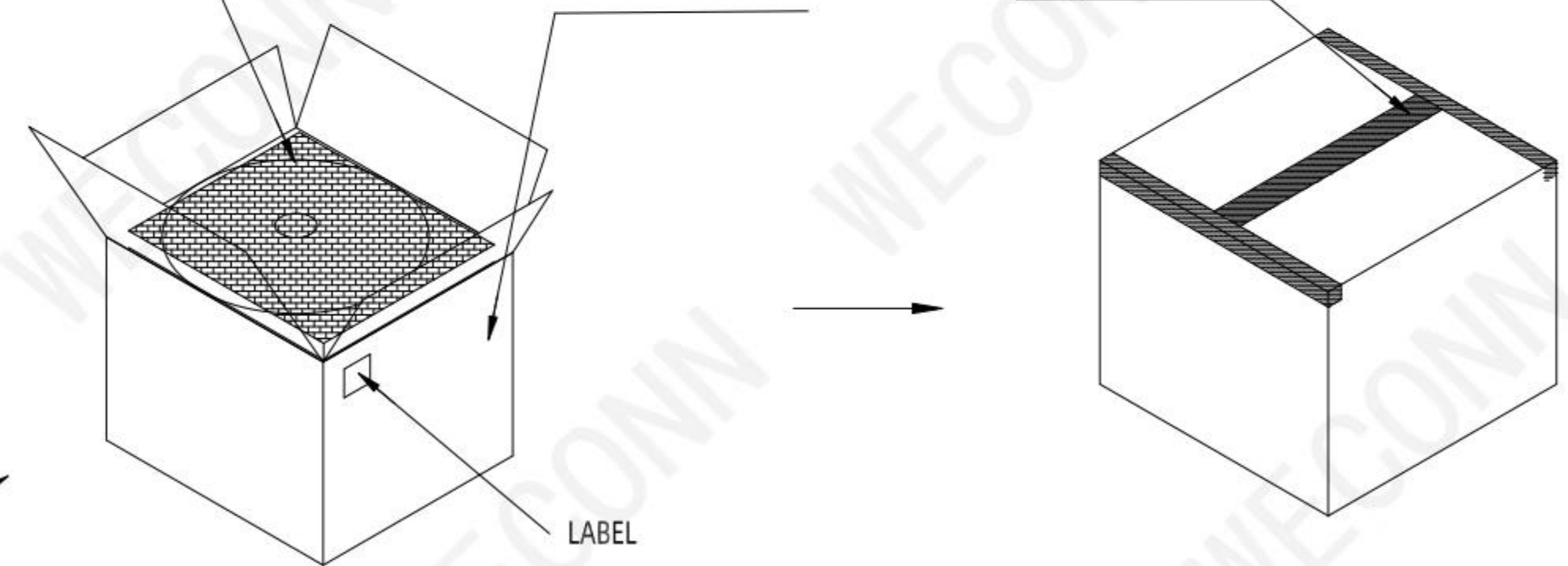


Each top of the bottom of the carton is protected by a piece of pearl cotton



CARTON 350\*350\*340 K=K

Tape type sealing box



10 rolls per carton

MILLIMETERS	INCH	UNITS
X° ± 2°	X° ± 2°	MM
.X ± 0.30	.XX ± 0.012	MAT'L
.XX ± 0.20	.XXX ± 0.008	SEE NOTES
.XXX ± 0.10	.XXXX ± 0.004	FINISH
		SEE NOTES
		QTY
		SEE NOTES

THESE DRAWINGS AND PECIFICATION ARE Welink ShenZhen Welink Electronics Co.,Ltd COPIED OR USED IN ANY MANNER WITHOUT Welink ShenZhen Welink Electronics Co.,Ltd

<p><b>WECONN</b> 深圳市微连电子有限公司 ShenZhen Welink Electronics Co.,Ltd</p>		
PART NUMBER:		TITLE:
WL-SIM163-002		MICRO SIM卡座 插拔式 6P
DWG NO.:		APPD:
WL-SIM163-002		Cornelia
SCALE	SHEET	REV.
1:1	2/2	A1
		CHKD:
		Mark
		DR:
		Michael