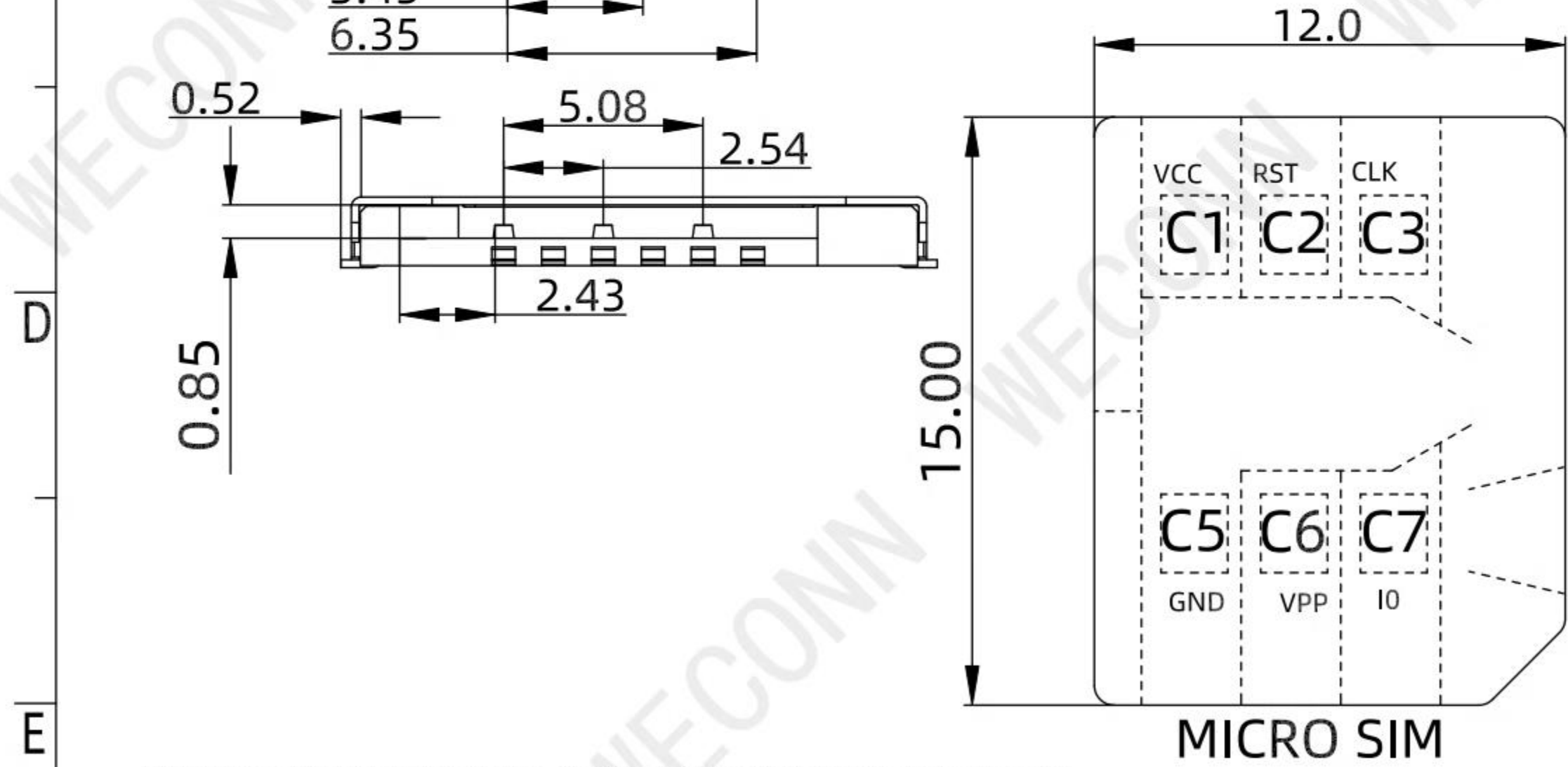
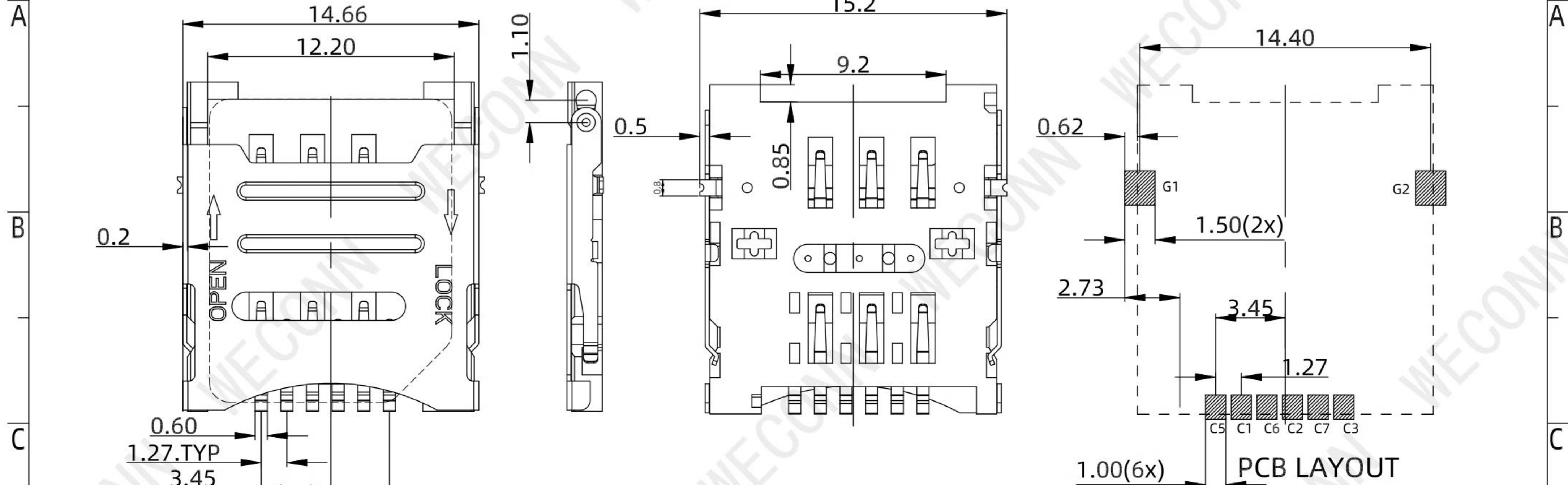


RoHS

REV.	EC#	DESCRIPTION	DATE	DRAWING	CHECKED	APPROVED
A0		NEW RELEASE	2019.05.05	Michael	Mark	Cornelia



- Material and plating
 - (1)、Plastic core:LCP,UL 94 V - 0,black
 - (2)、Terminal: Phosphor bronze C5210-H, T=0.15, gold-plated nickel
 - (3)、Shell: stainless steel SUS304 T=0.2

- Technical parameters:
 - Contact resistance: 100mΩ Max
 - Insulation resistance: 1000MΩ Min (500DC)
 - Rated current: 1A Max for each contact
 - Rated voltage: 30V Max(DC)
 - Withstand voltage: 500V r.m.s/min
 - Operating temperature: -40°C~85°C
 - Humidity: 90% ~ 95%
 - Lifespan: >3000 times

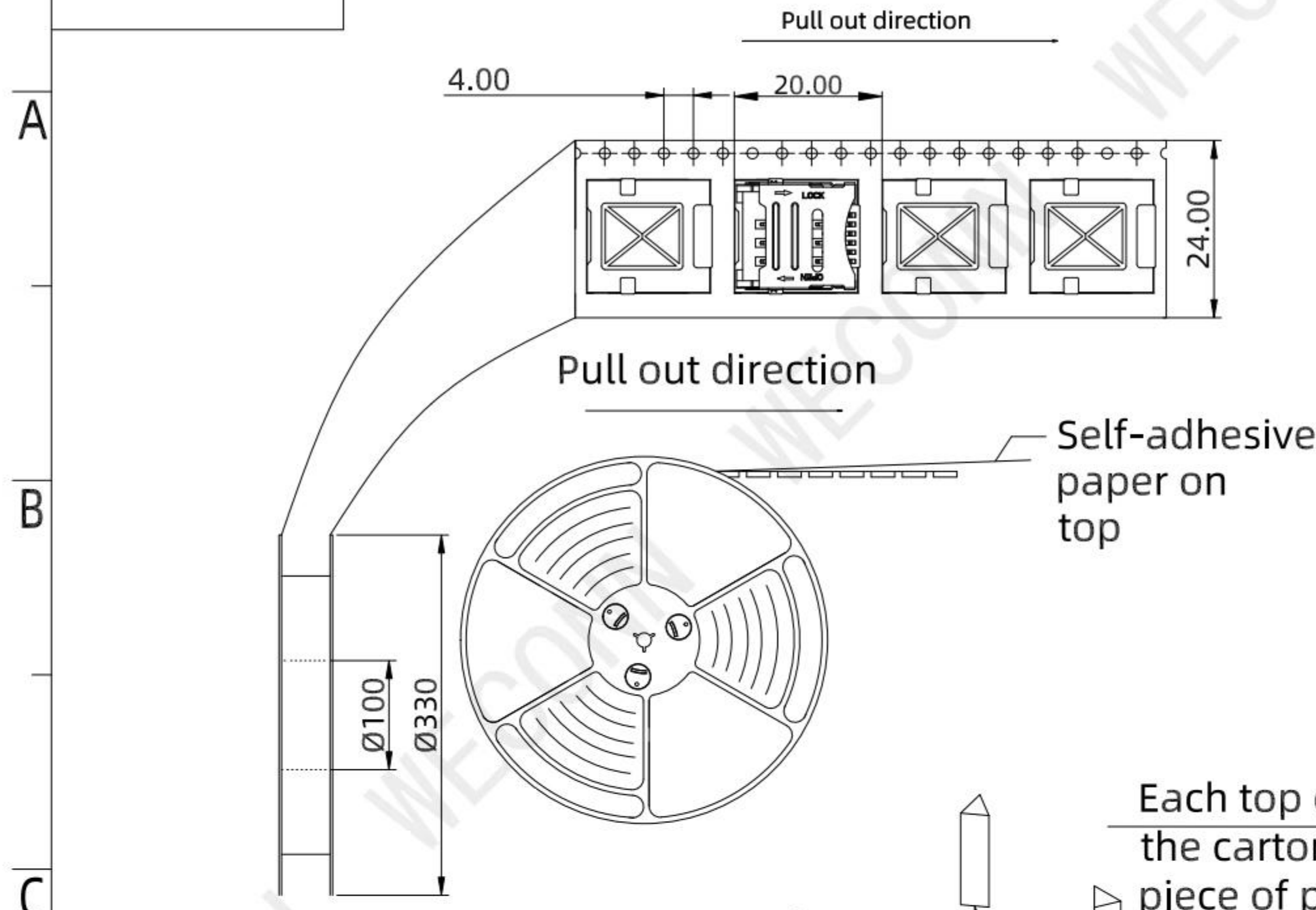
G1-GN pin is defined as GND

PLEASE CONTACT WELINK SALES REPRESENTATIVE TO VERIFY PRODUCT DETAILS & AVAILABILITY

MILLIMETERS	INCH	UNITS	WECONN® 深圳市微连电子有限公司 ShenZhen Welink Electronics Co.,Ltd			
X° ± 2°	X° ± 2°	MM	PART NUMBER: WL-SIM180-011		TITLE: MICRO SIM卡座 翻盖式 6P 1.8H	
.X ± 0.30	.XX ± 0.012	MAT'L SEE NOTES	DWG NO.: WL-SIM180-011		APPD:	Cornelia
.XX ± 0.20	.XXX ± 0.008	FINISH SEE NOTES	SCALE		CHKD:	Mark
.XXX ± 0.10	.XXXX ± 0.004	QTY SEE NOTES	1:1	SHEET 1/2	REV.	DR: Michael
THESE DRAWINGS AND SPECIFICATION ARE Welink ShenZhen Welink Electronics Co.,Ltd COPIED OR USED IN ANY MANNER WITHOUT Welink ShenZhen Welink Electronics Co.,Ltd						

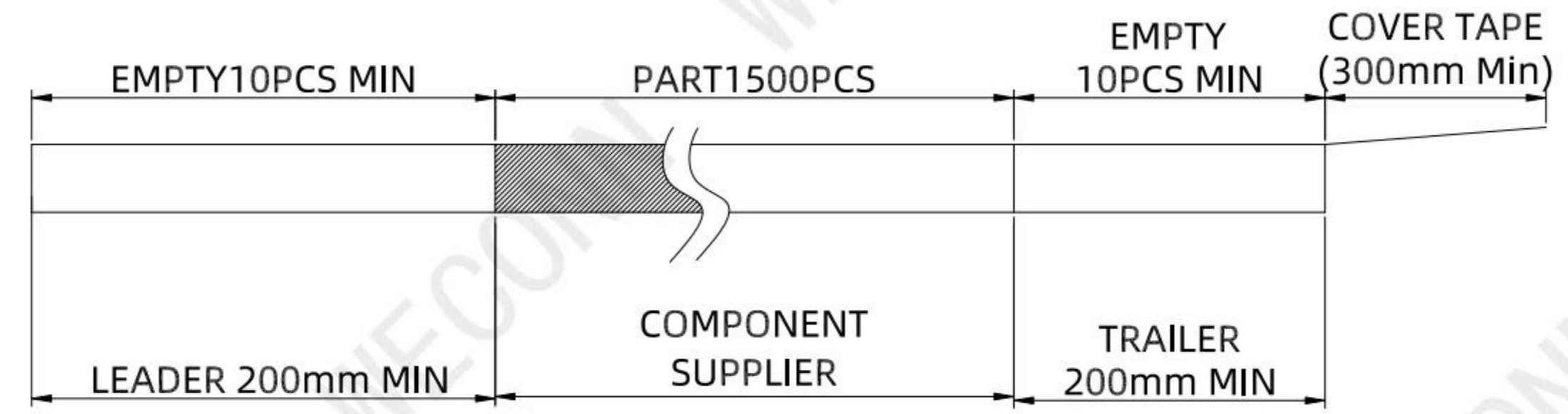
RoHS

REV.	EC#	DESCRIPTION	DATE	DRAWING	CHECKED	APPROVED
A0		NEW RELEASE	2019.05.05	Michael	Mark	Cornelia

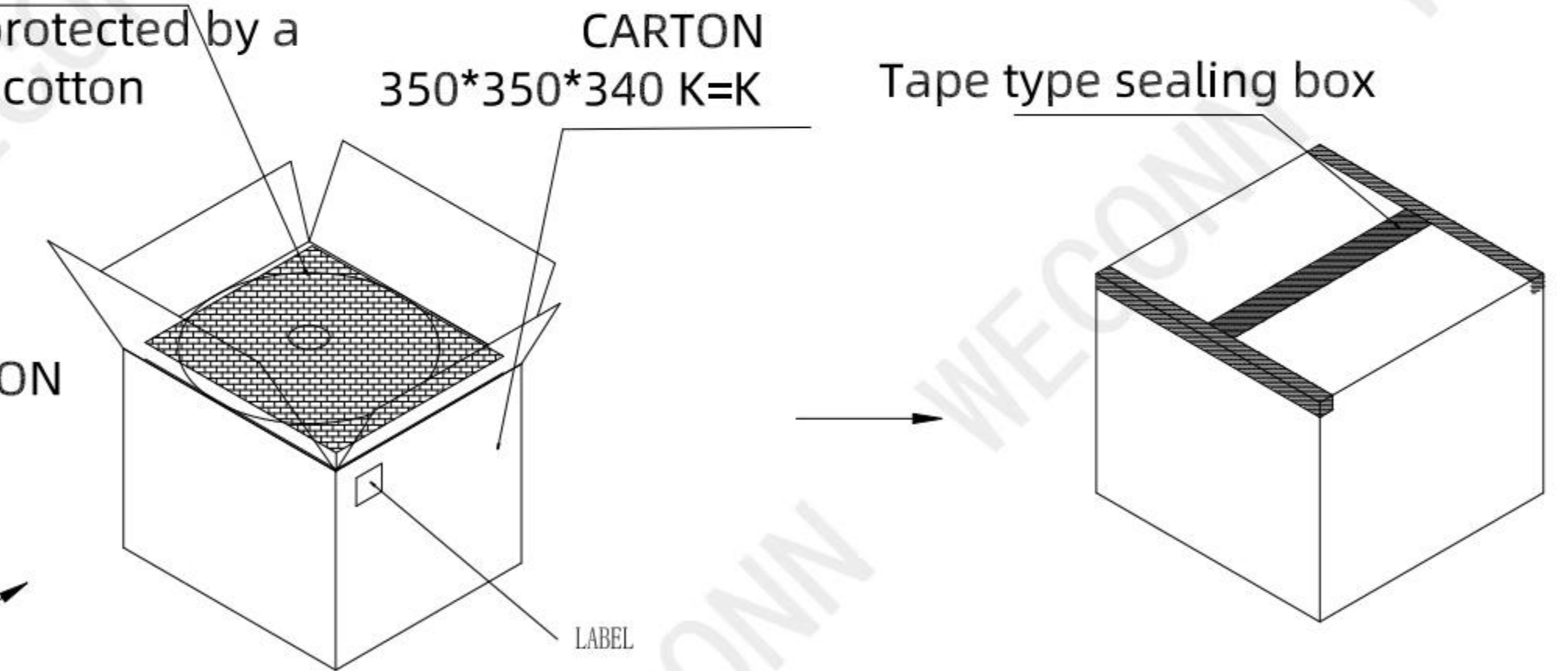
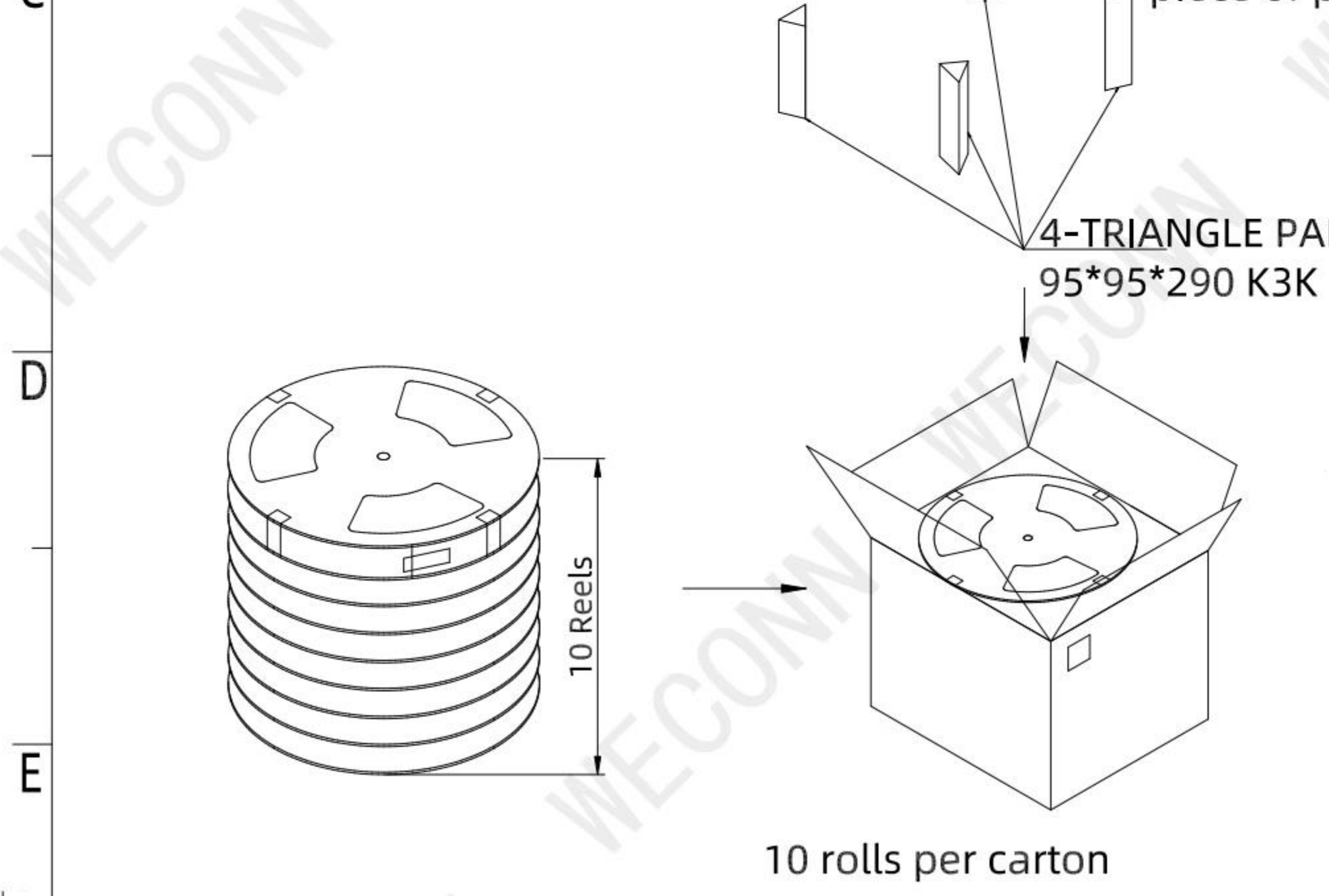


NOTES

1. NUMBER OF CONNECTORS: 1500PCS/REEL
2. LEAD TAPE LENGTH



3. QUANTITY: 15000PCS/CARTON



MILLIMETERS	INCH	UNITS	WECONN® 深圳市微连电子有限公司 ShenZhen Welink Electronics Co.,Ltd			
X.° ± 2°	X.° ± 2°	MM	PART NUMBER: WL-SIM180-011		TITLE: MICRO SIM卡座 翻盖式 6P 1.8H	
.X ± 0.30	.XX ± 0.012	MAT'L SEE NOTES	DWG NO.: WL-SIM180-011		APPD:	Cornelia
.XX ± 0.20	.XXX ± 0.008	FINISH SEE NOTES	SCALE	SHEET	REV.	CHKD: Mark
.XXX ± 0.10	.XXXX ± 0.004	QTY SEE NOTES	1:1	2/2	A1	DR: Michael
THESE DRAWINGS AND PECIFICATION ARE Welink ShenZhen Welink Electronics Co.,Ltd COPIED OR USED IN ANY MANNER WITHOUT Welink ShenZhen Welink Electronics Co.,Ltd						