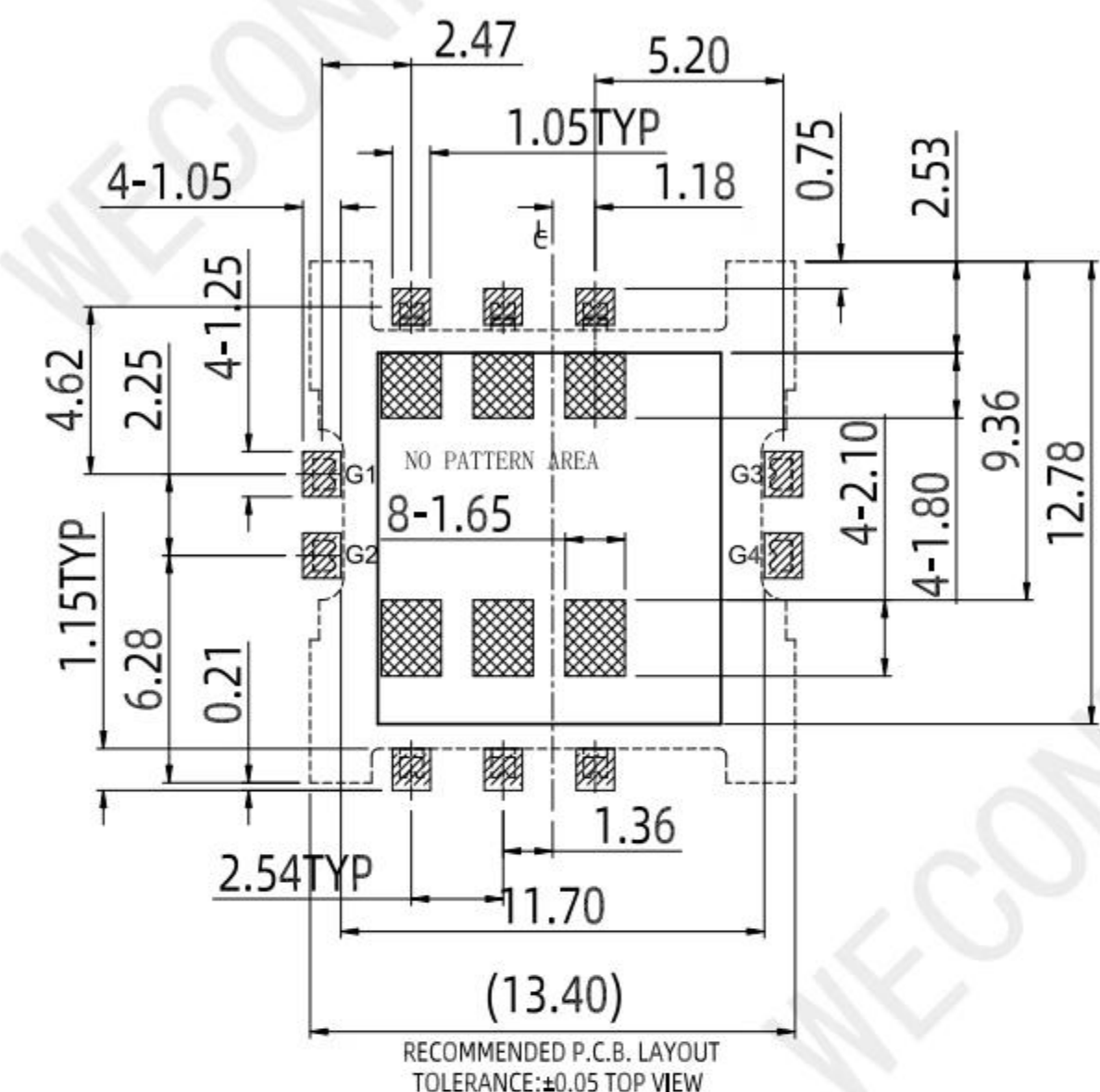
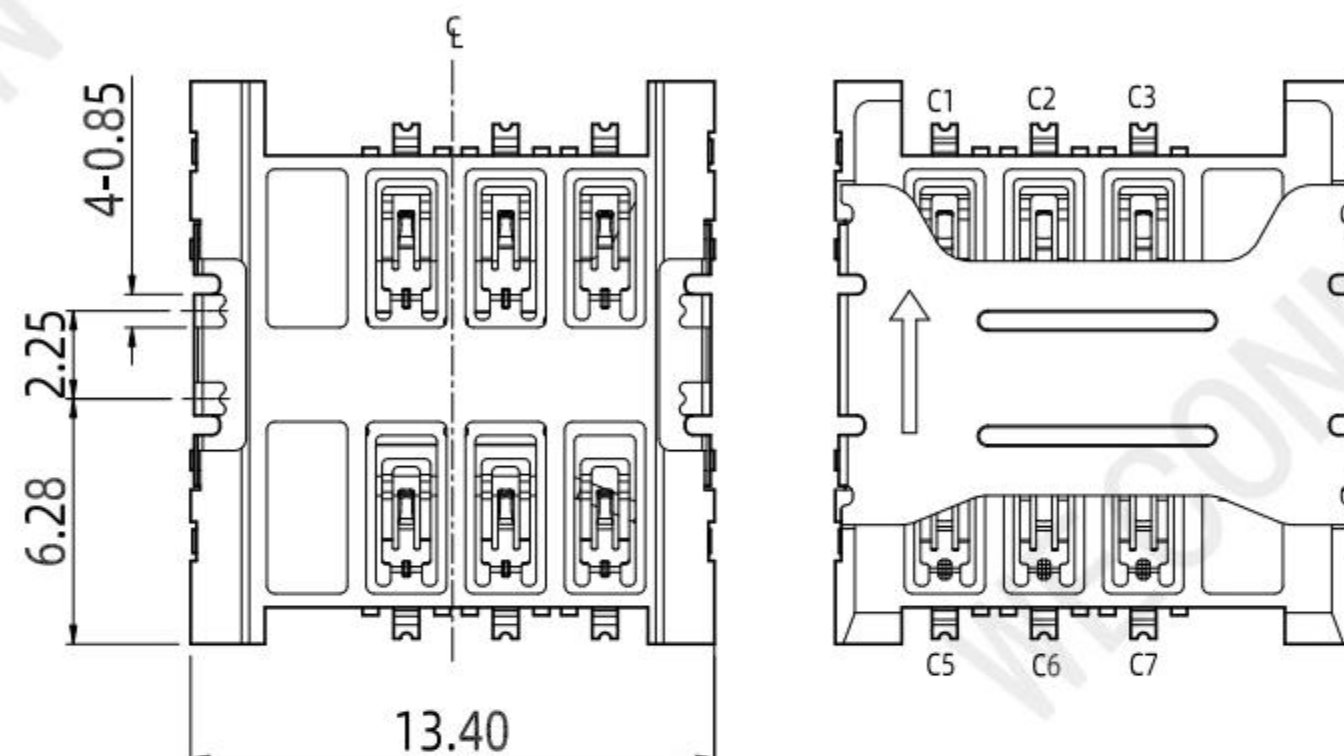
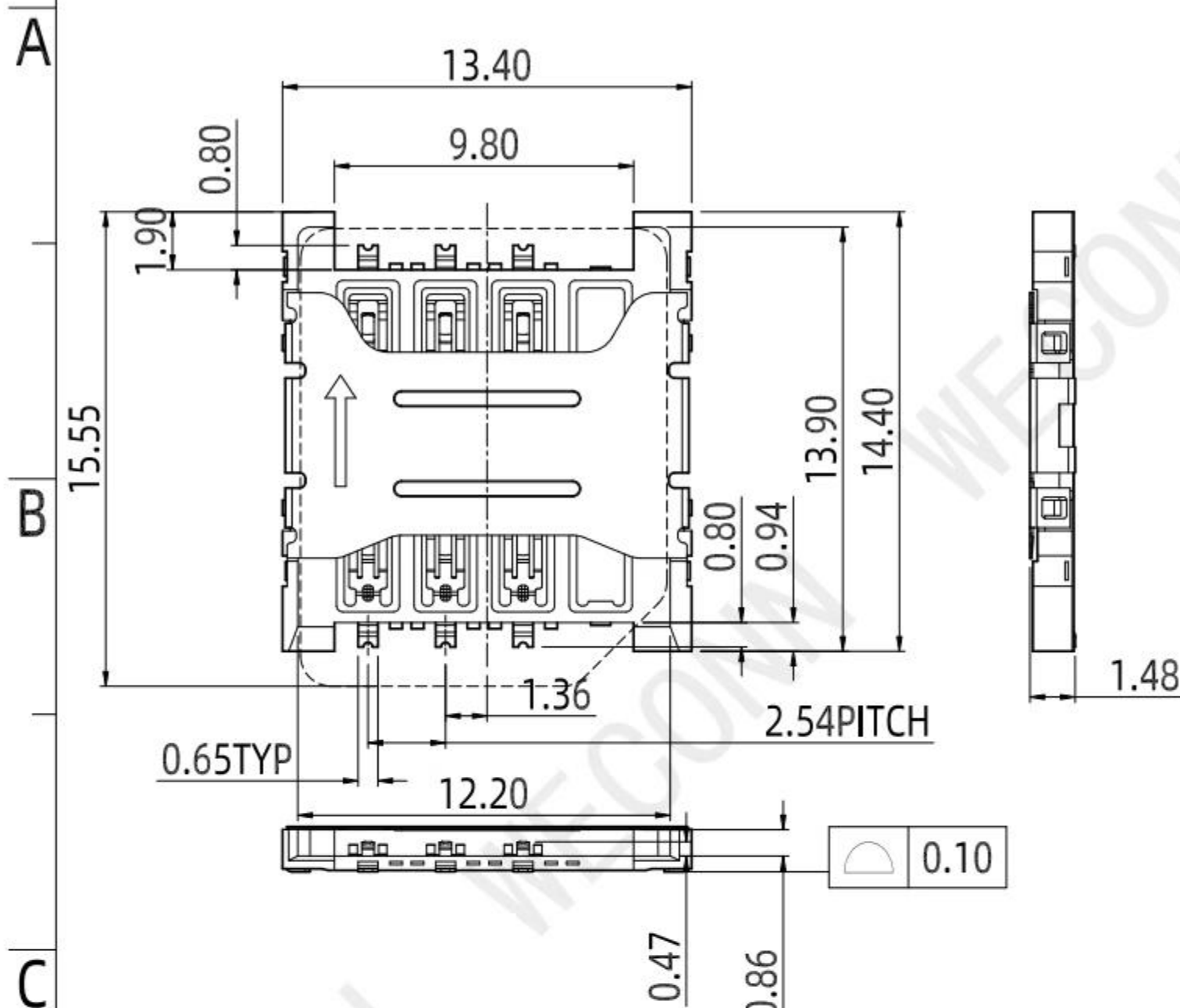


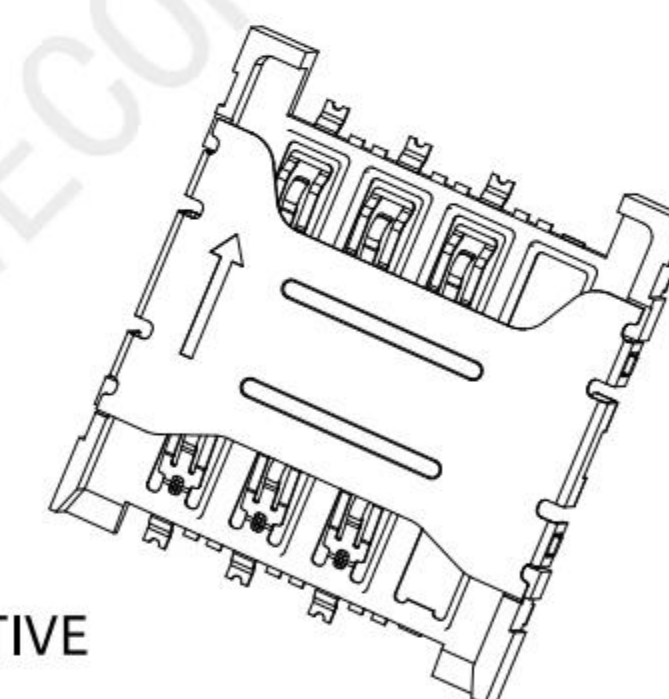
RoHS

REV.	EC#	DESCRIPTION	DATE	DRAWING	CHECKED	APPROVED
A0		NEW RELEASE	2019.08.27	Michael	Mark	Cornelia



■ PCB AREA
 □ CONNECT AREA
 ▨ KEEP OUT AREA

G1-GN pin is defined as GND

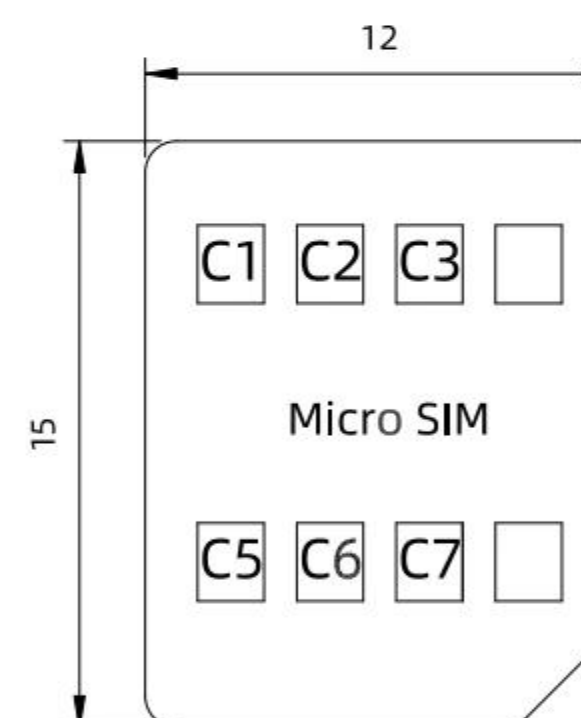


MATERIALS

- 1. HOUSING : THERMOPLASTIC (UL 94V-0).
- 2. TERMINAL : COPPER ALLOY,
PLATING : GOLD PLATED ON CONTACT AREA
AND SOLDER TAILS, NICKEL PLATED OVERALL.
- 3. SHELL : STAINLESS STEEL.
PLATING : NICKEL PLATED OVERALL.
GOLD PLATED ON SOLDER TAILS

Pin Assignments

PIN	Name
C1	Vcc
C2	RST
C3	CLK
C5	GND
C6	Vpp
C7	I/O



SPECIFICATION

- 1. CURRENT RATING : 1.0 A MAX.
- 2. DIELECTRIC WITHSTANDING VOLTAGE :
500V AC R.M.S. FOR ONE MINUTE.
- 3. INSULATION RESISTANCE : 1000 Ω MIN. AT 500V DC.
- 4. CONTACT RESISTANCE : 30m Ω MAX.
- 5. OPERATING TEMPERATURE : -40°C TO +85°C.

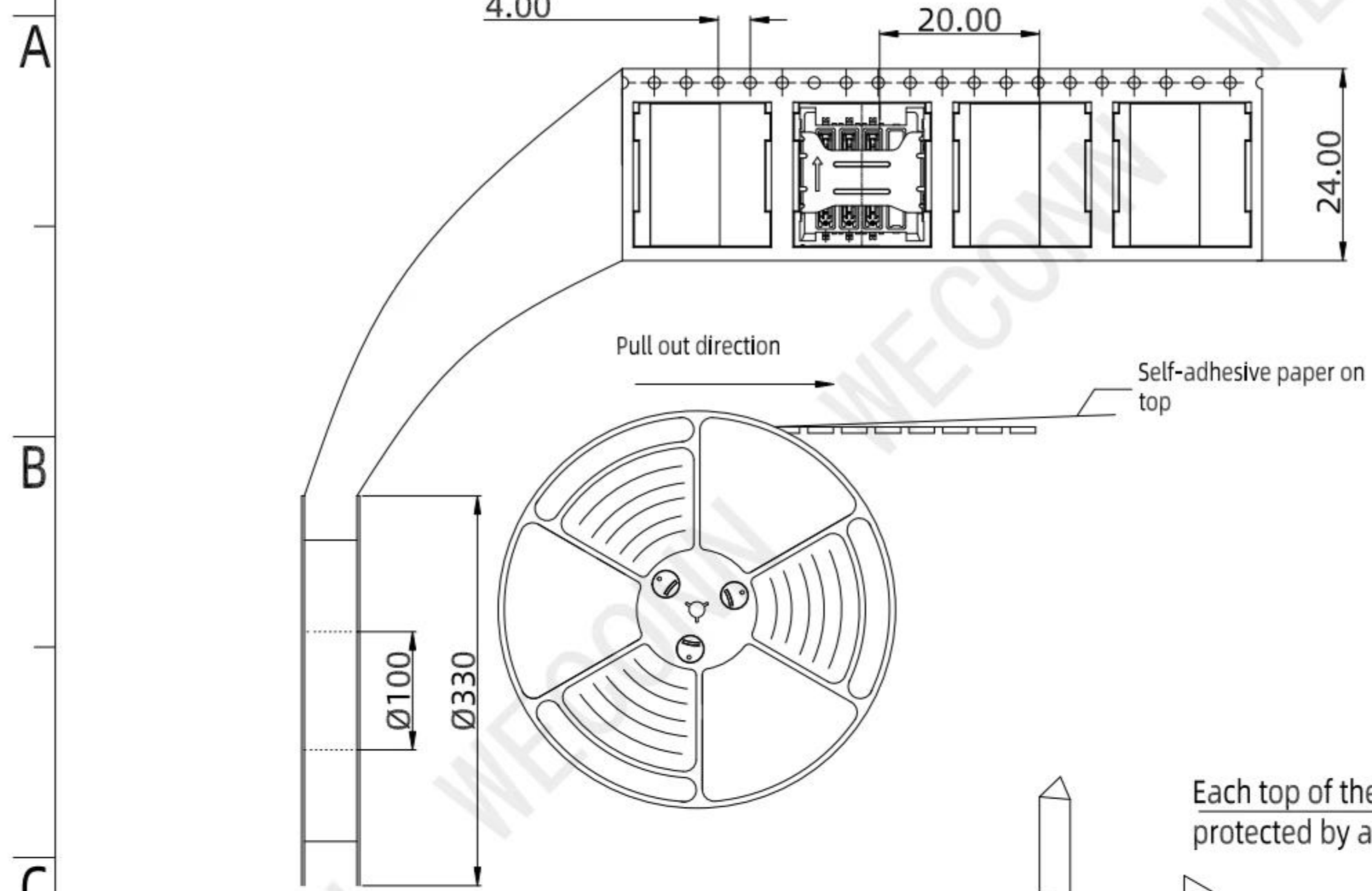
DESCRIPTION OF PLATING ON TERMINALS			
NO.	EXPLAIN	NO.	EXPLAIN
0	GOLD FLASH	3	GOLD 15u"
1	GOLD 5u"	4	GOLD 20u"
2	GOLD 10u"	6	GOLD 30u"

PLEASE CONTACT WELINK SALES REPRESENTATIVE TO VERIFY PRODUCT DETAILS & AVAILABILITY

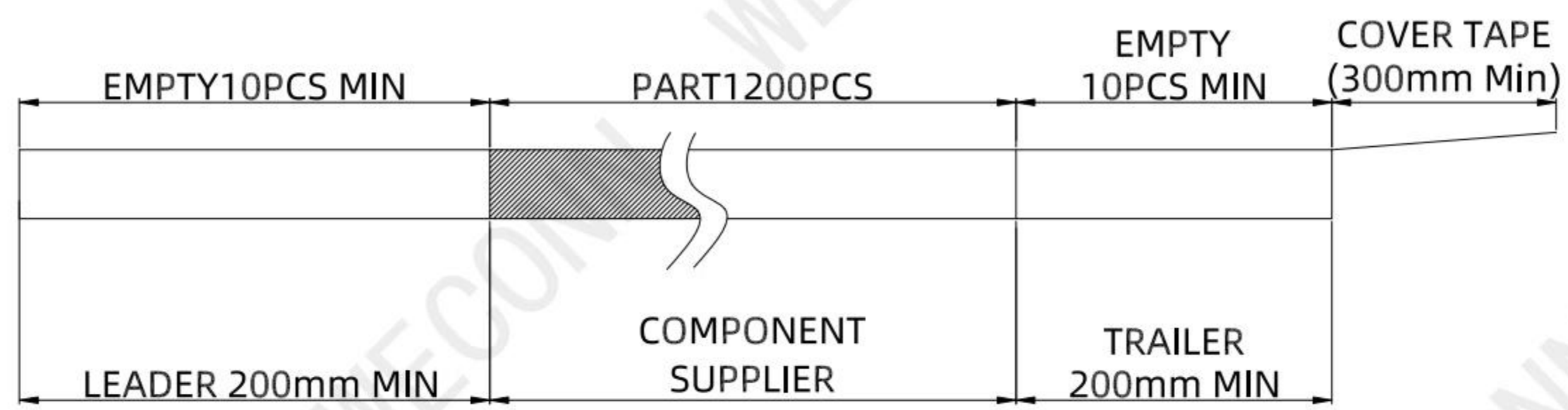
MILLIMETERS	INCH	UNITS	WECONN® 深圳市微连电子有限公司 ShenZhen Welink Electronics Co.,Ltd		
X.° ± 2°	X.° ± 2°	MM			
.X ± 0.30	.XX ± 0.012	MAT'L	PART NUMBER: WL-SIM150-051		
.XX ± 0.20	.XXX ± 0.008	FINISH	TITLE: MICRO SIM卡座 插拔式 6P 防渍P		
.XXX ± 0.10	.XXXX ± 0.004	QTY	DWG NO.: WL-SIM150-051		
THESE DRAWINGS AND PECIFICATION ARE Welink ShenZhen Welink Electronics Co.,Ltd COPIED OR USED IN ANY MANNER WITHOUT Welink ShenZhen Welink Electronics Co.,Ltd			SCALE	SHEET	REV.
			1:1	1/2	A1
			APPD:	Cornelia	
			CHKD:	Mark	
			DR:	Michael	

RoHS

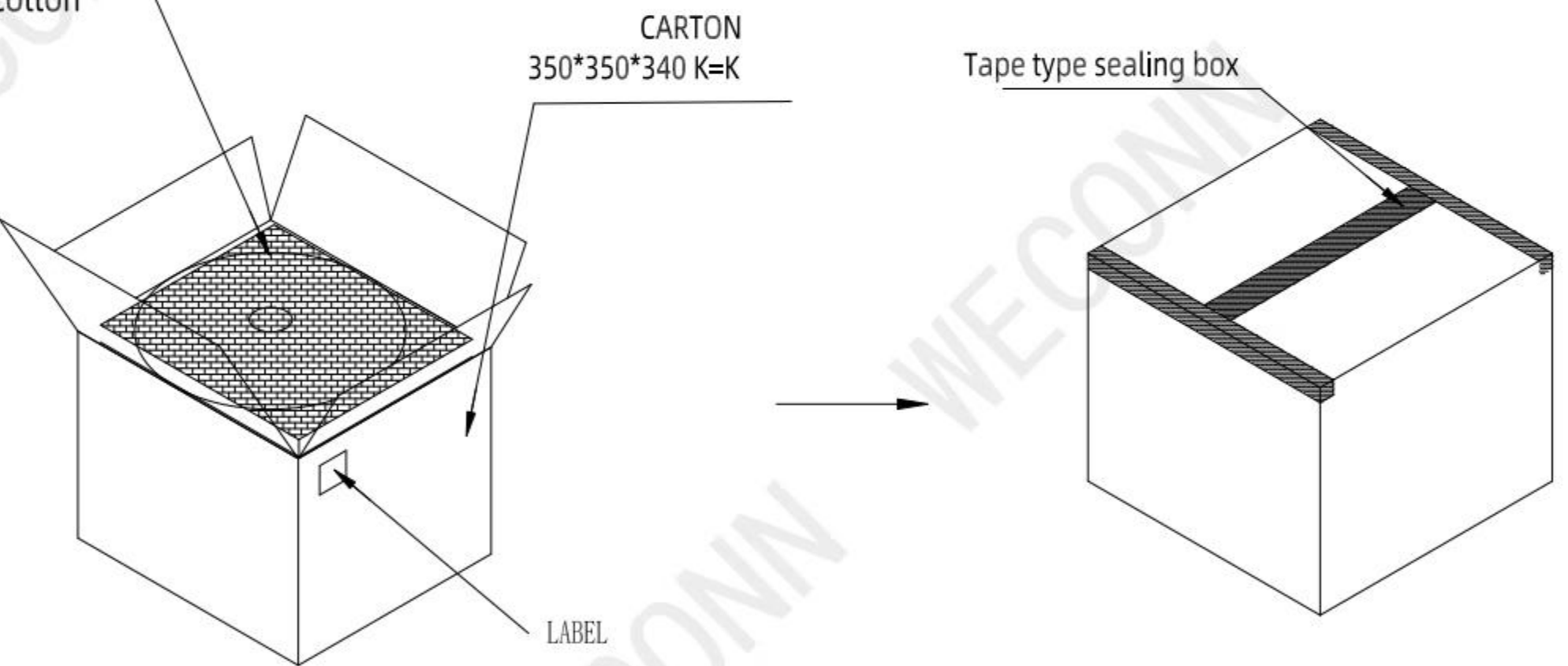
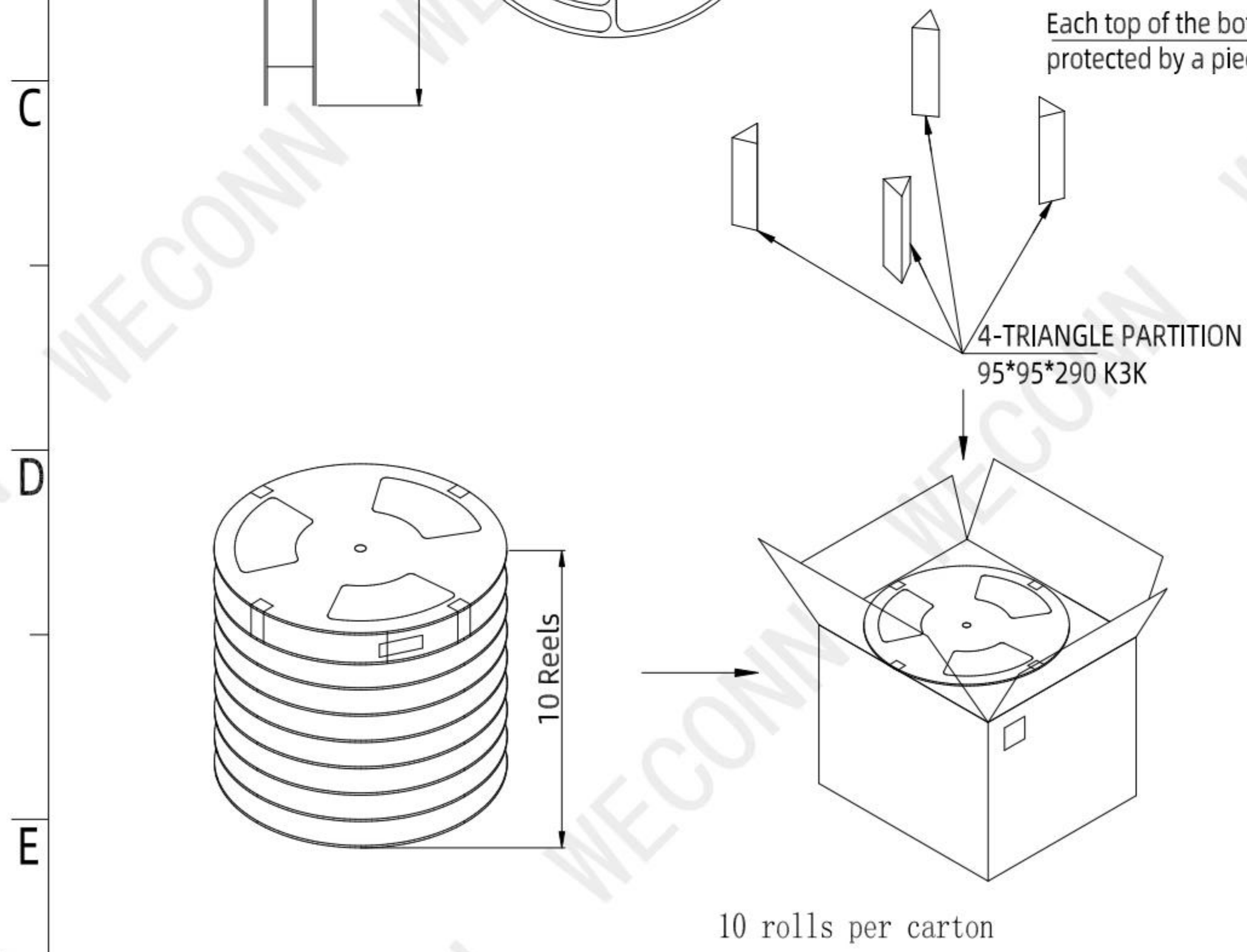
REV.	EC#	DESCRIPTION	DATE	DRAWING	CHECKED	APPROVED
A0		NEW RELEASE	2019.08.27	Michael	Mark	Cornelia



- NOTES
1. NUMBER OF CONNECTORS: 1200PCS/REEL
 2. LEAD TAPE LENGTH



3. QUANTITY: 12000PCS/CARTON



MILLIMETERS	INCH	UNITS	WECONN® 深圳市微连电子有限公司 ShenZhen Welink Electronics Co.,Ltd			
X.° ± 2°	X.° ± 2°	MM	PART NUMBER: WL-SIM150-051		TITLE: MICRO SIM卡座 插拔式 6P 防溃P	
.X ± 0.30	.XX ± 0.012	MAT'L SEE NOTES	DWG NO.: WL-SIM150-051		APPD: Cornelia	
.XX ± 0.20	.XXX ± 0.008	FINISH SEE NOTES	SCALE: 1:1	SHEET: 2/2	CHKD: Mark	
.XXX ± 0.10	.XXXX ± 0.004	QTY SEE NOTES	REV.: A1		DR: Michael	
THESE DRAWINGS AND PECIFICATION ARE Welink ShenZhen Welink Electronics Co.,Ltd COPIED OR USED IN ANY MANNER WITHOUT Welink ShenZhen Welink Electronics Co.,Ltd						