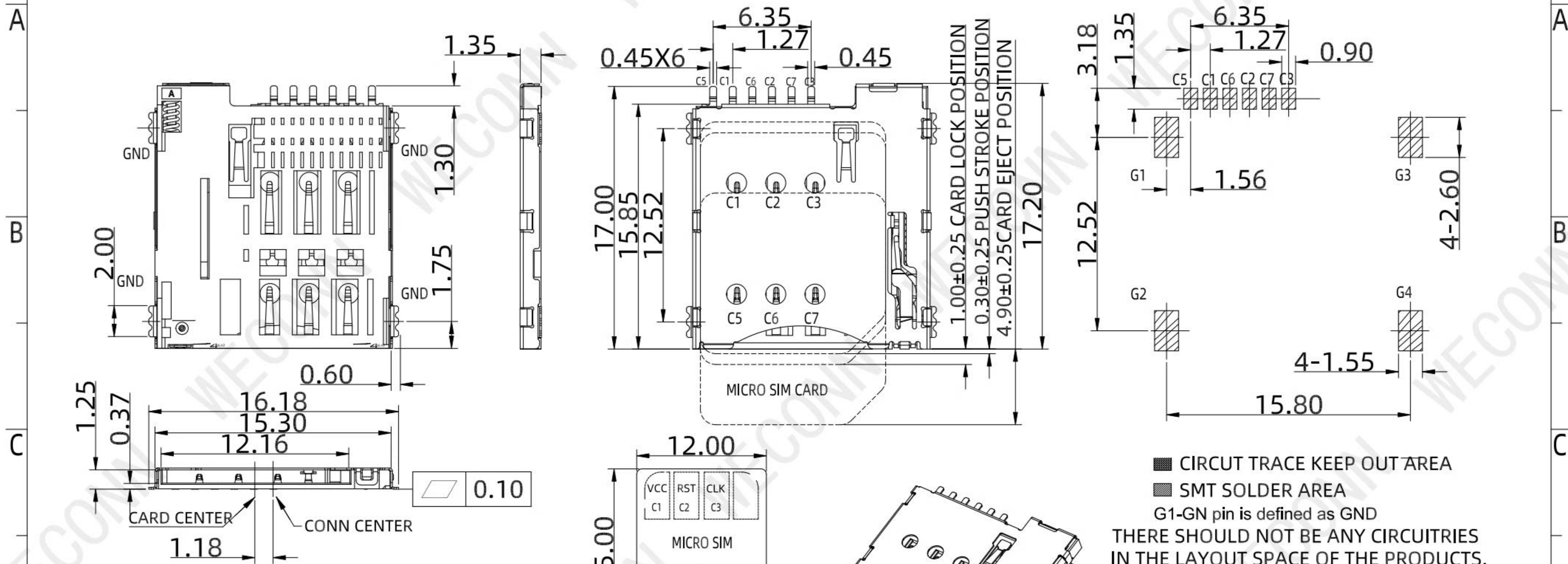


RoHS

REV.	EC#	DESCRIPTION	DATE	DRAWING	CHECKED	APPROVED
A0		NEW RELEASE	2019.05.29	Michael	Mark	Cornelia



NOTES:
MATERIAL:

Insulator: High Temperature Thermoplastic,
Contact: Copper Alloy
Shell: STAINLESS

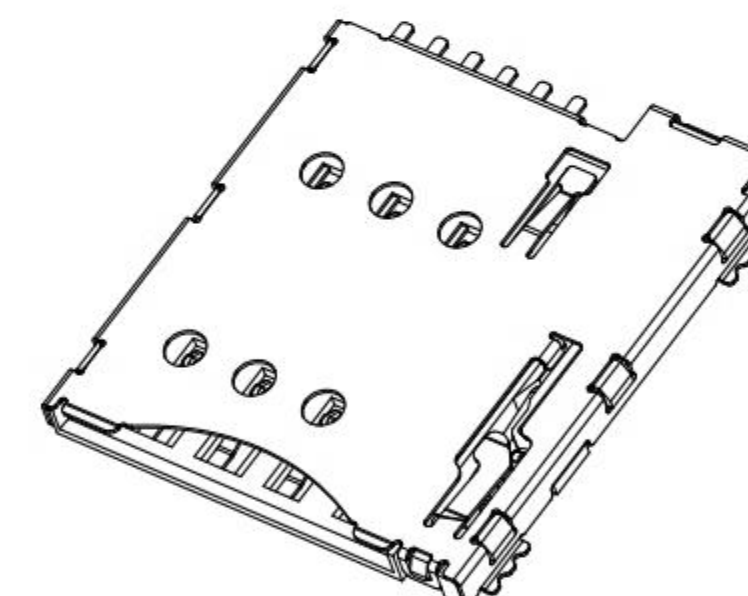
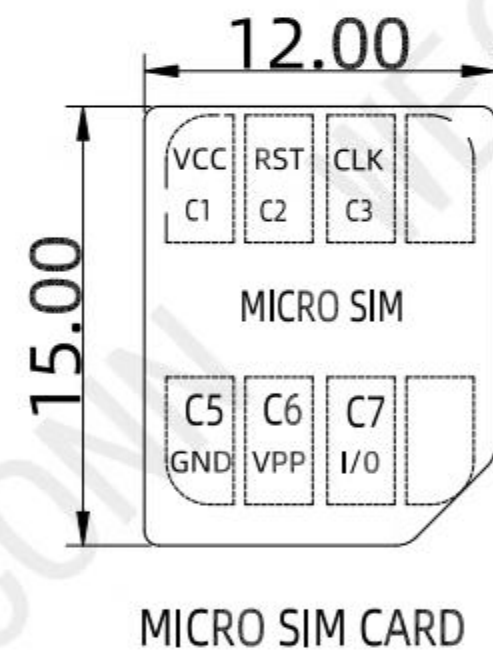
PLATING:

Contact: Plated 30u" Ni Overall ,Solder Area: Tin,Contact G/F
Shell: Plated 30u" Ni Overall
Plated G/F Selective Contact Area

Electrical:

Current Rating :0.5A AC/DC max.
Voltage Rating :50V AC/DC MAX
Ambient Temperature Range :-20°C~+85°C
Storage Temperature Range :-40°C~+70°C
Ambient Humidity Range :95% R.H. Max.
Contact Resistance:100mΩmax.
Insulation Resistance:1000M min./250V DC
Dielectric Withstanding Voltage:500V AC
Mating Cycles:5,000 Insertions
Temperature: 260°C ±5°

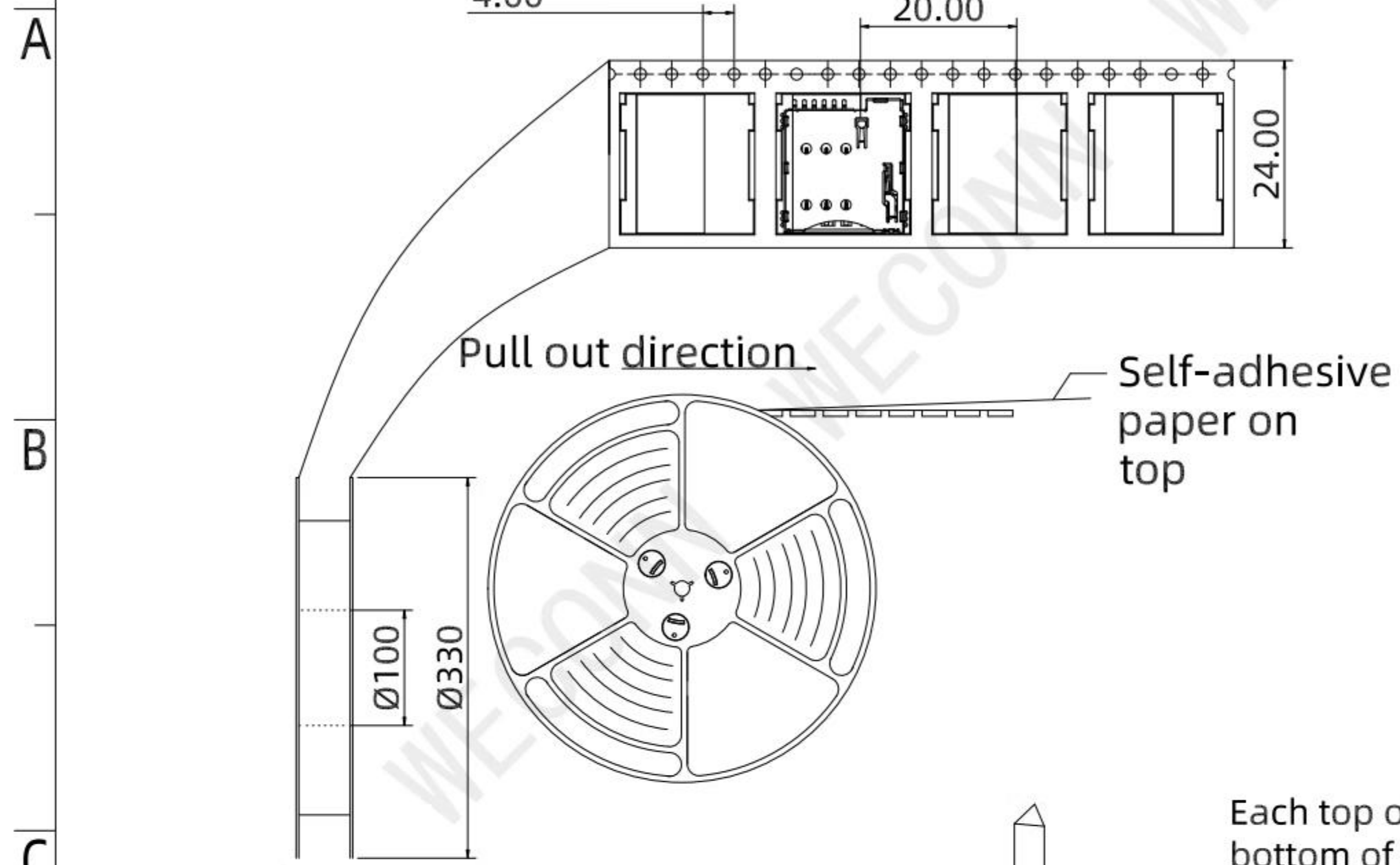
PLEASE CONTACT WELINK SALES REPRESENTATIVE
TO VERIFY PRODUCT DETAILS & AVAILABILITY



SIM pin Assignment		MILLIMETERS	INCH	UNITS	WECONN® 深圳市微连电子有限公司 ShenZhen Welink Electronics Co.,Ltd	
PIN#	Name	X.° ± 2°	X.° ± 2°	MM	PART NUMBER:	TITLE:
C1	VCC	.X ± 0.30	.XX ± 0.012	MAT'L	WL-SIM135-054	MICRO SIM卡座 自弹式 6P 1.35H
C2	RST	.XX ± 0.20	.XXX ± 0.008	SEE NOTES	DWG NO.:	APPD: Cornelia
C3	CLK	.XXX ± 0.10	.XXXX ± 0.004	FINISH	WL-SIM135-054	CHKD: Mark
C5	GND	THESE DRAWINGS AND PECIFICATION ARE Welink ShenZhen Welink Electronics Co.,Ltd COPIED OR USED IN ANY MANNER WITHOUT Welink ShenZhen Welink Electronics Co.,Ltd		QTY	SCALE	DR: Michael
C6	VPP			SEE NOTES	SHEET	
C7	I/O				REV.	
					1:1	1/2
					A1	

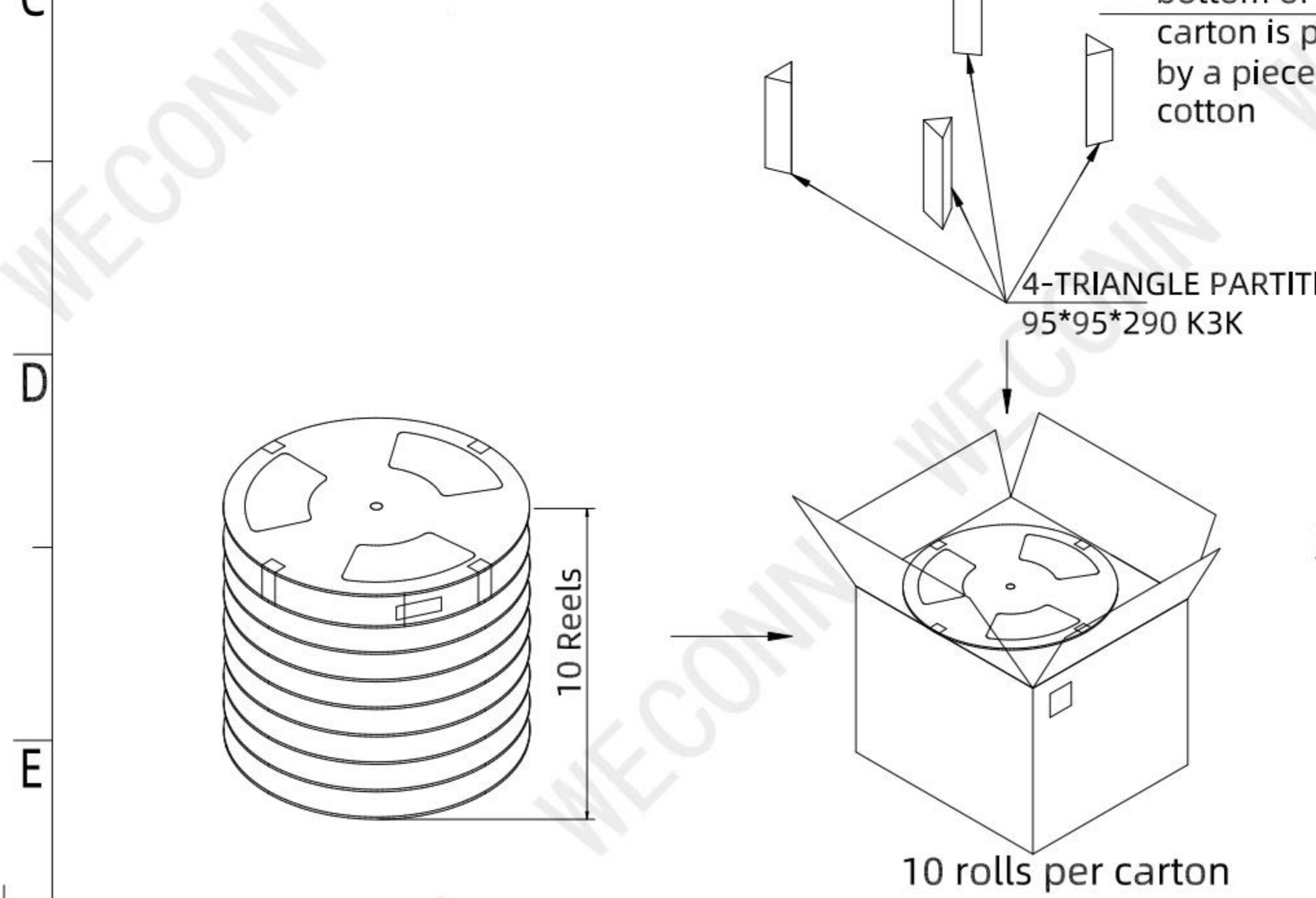
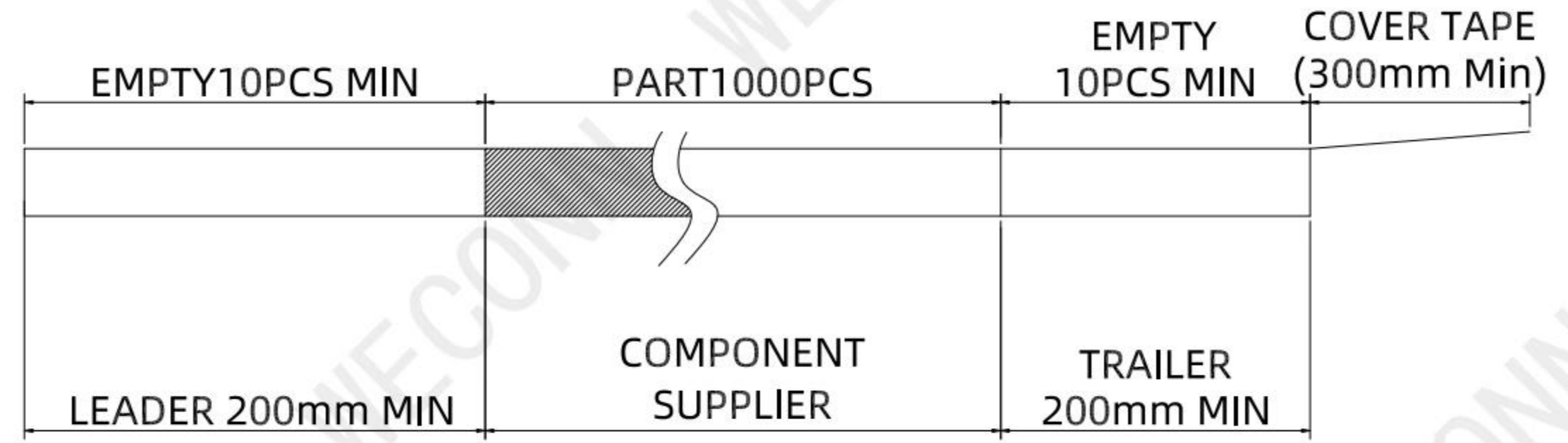
RoHS

REV.	EC#	DESCRIPTION	DATE	DRAWING	CHECKED	APPROVED
A0		NEW RELEASE	2019.05.29	Michael	Mark	Cornelia



NOTES

- 1. NUMBER OF CONNECTORS: 1000PCS/REEL
- 2. LEAD TAPE LENGTH



3. QUANTITY: 10000PCS/CARTON

MILLIMETERS	INCH	UNITS
X.° ± 2°	X.° ± 2°	MM
.X ± 0.30	.XX ± 0.012	MAT'L SEE NOTES
.XX ± 0.20	.XXX ± 0.008	FINISH SEE NOTES
.XXX ± 0.10	.XXXX ± 0.004	QTY SEE NOTES

<p>WECONN 深圳市微连电子有限公司 ShenZhen Welink Electronics Co.,Ltd</p>			
PART NUMBER: WL-SIM135-054		TITLE: MICRO SIM卡座 自弹式 6P 1.35H	
DWG NO.: WL-SIM135-054		APPD: Cornelia	CHKD: Mark
SCALE 1:1	SHEET 2/2	REV. A1	DR: Michael