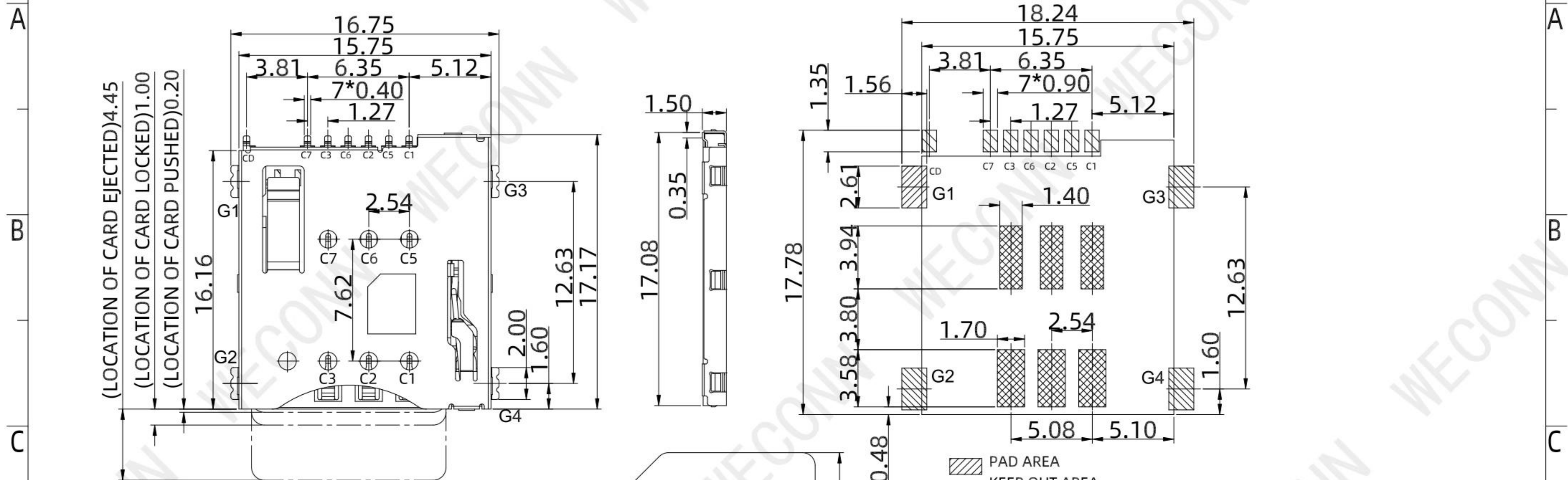


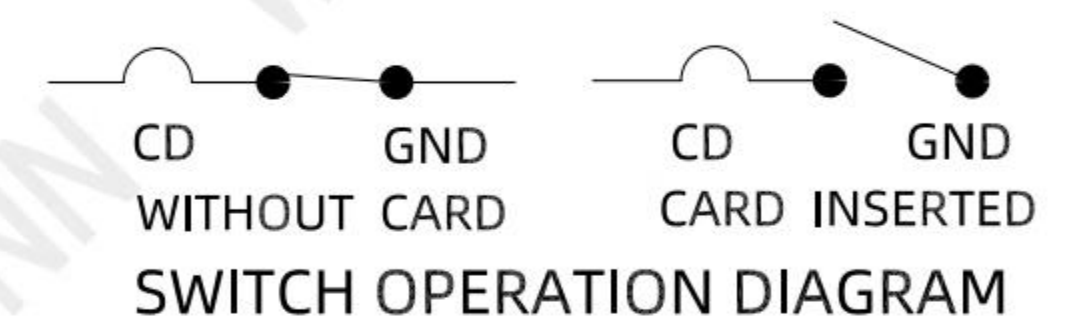
RoHS

REV.	EC#	DESCRIPTION	DATE	DRAWING	CHECKED	APPROVED
A0		NEW RELEASE	2019.09.29	Michael	Mark	Cornelia



PAD AREA
 KEEP OUT AREA
 RECOMMENDED P.C.B LAYOUT
 COMPONENT SIDE(TOLERANCE ±0.05)
 G1-GN pin is defined as GND

ELECTRIC FUNCTION	DETECT SWITCH
WITHOUT CARD	CLOSED
CARD INSERTED	OPEN



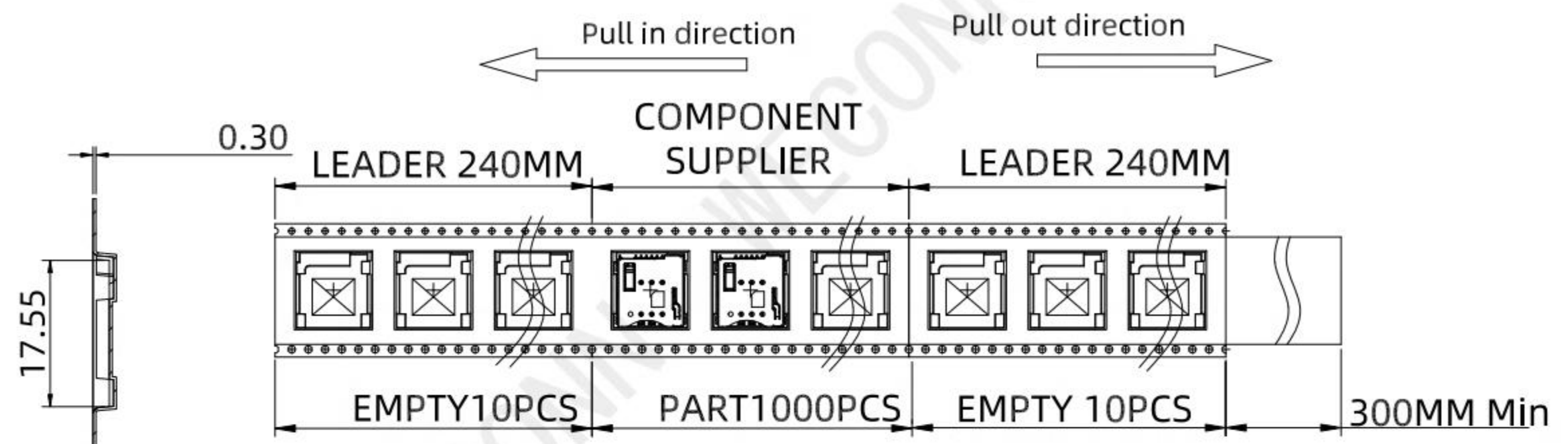
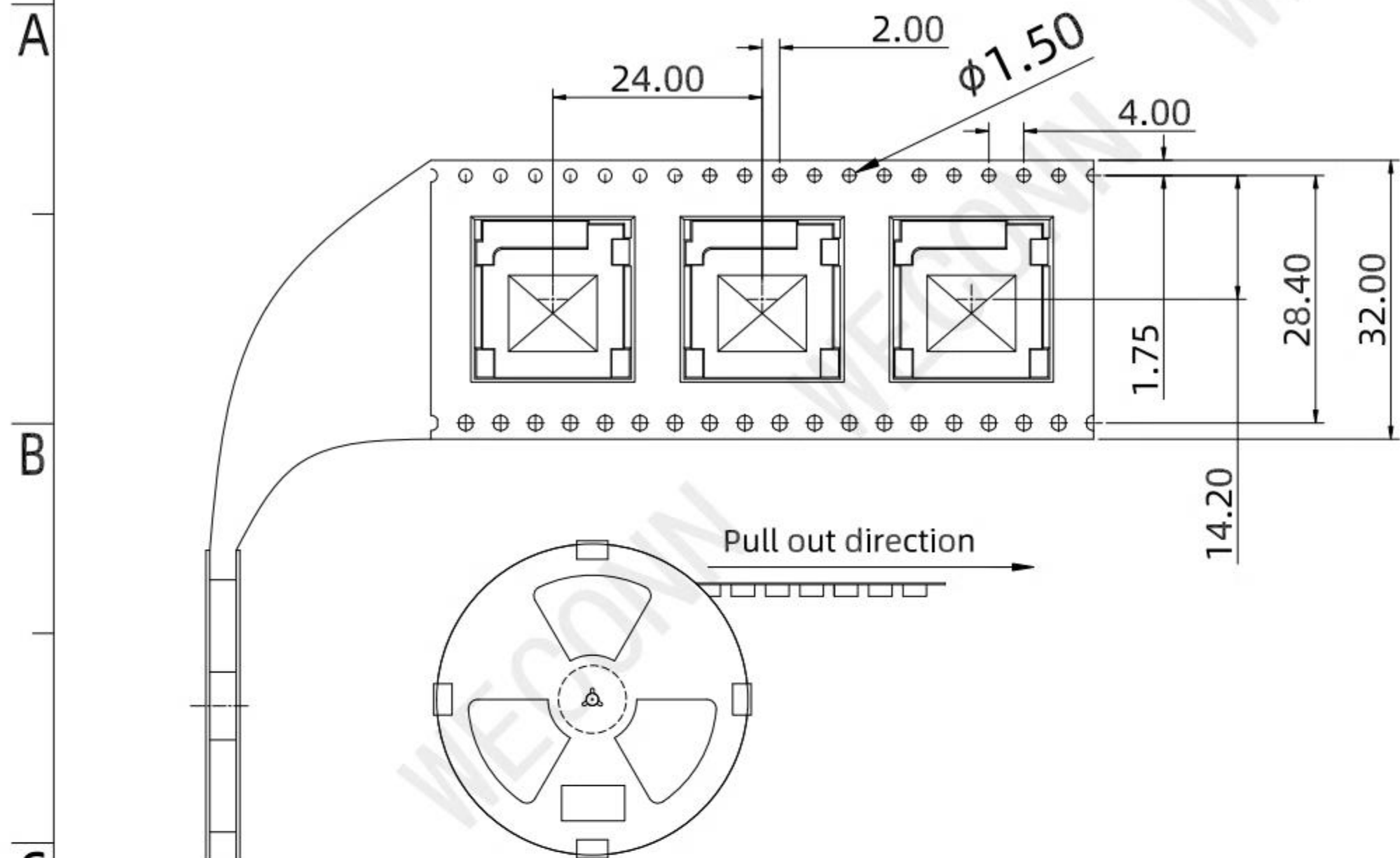
- NOTES:
- SPECIALITY:
 - Rated current:1.0A
 - Rated voltage:30V
 - Contact Resistance:50mΩ MAX
 - Insulation Resistance:1000MΩ MIN 500V DC
 - Dielectric withstanding voltage: 500V AC.
 - Solder ability:250±5°C, 5±0.5s.
 - Durability:5000 Cycles Min.
 - Operating condition:Temperature-40°C ~ +85°C; Humidity 80% R.H MAX
 - PLEASE CONTACT WELINK SALES REPRESENTATIVE TO VERIFY PRODUCT DETAILS & AVAILABILITY

Pin No.	NAME
C1	VCC
C2	RST
C3	CLK
C5	GND
C6	VPP
C7	I/O

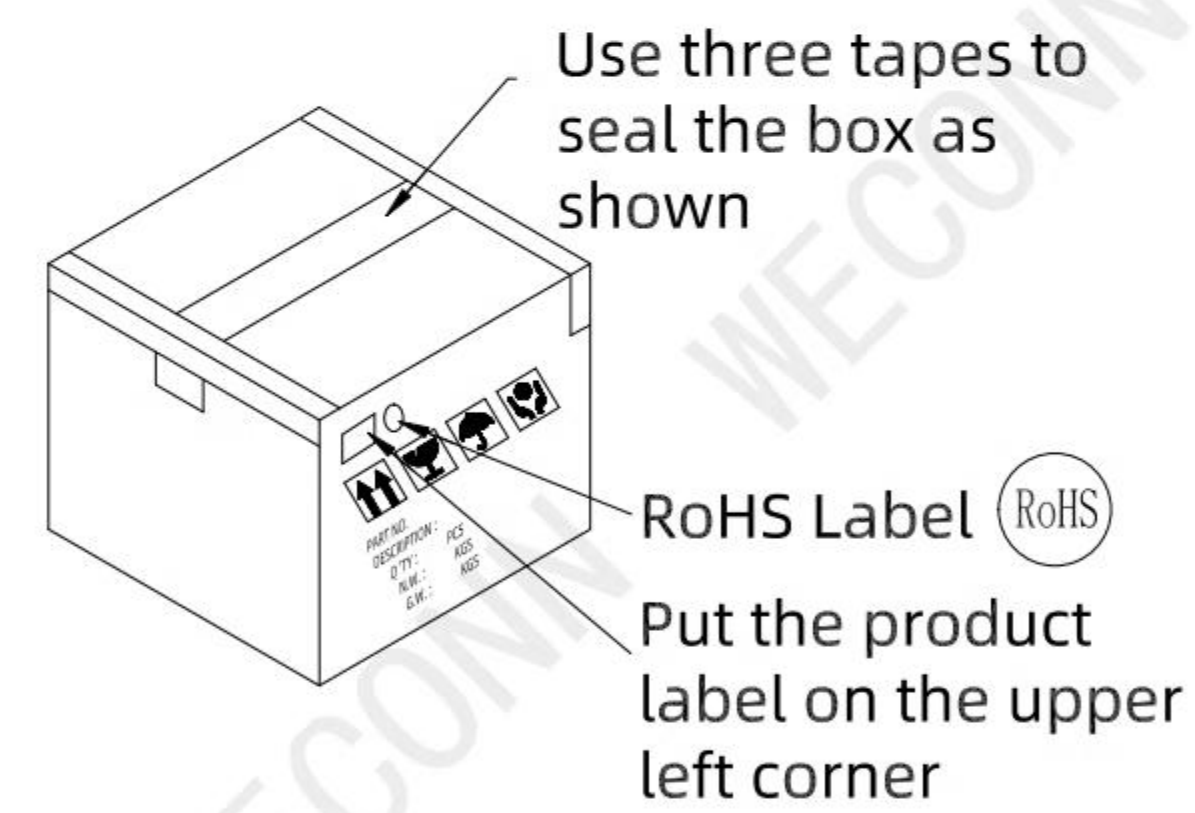
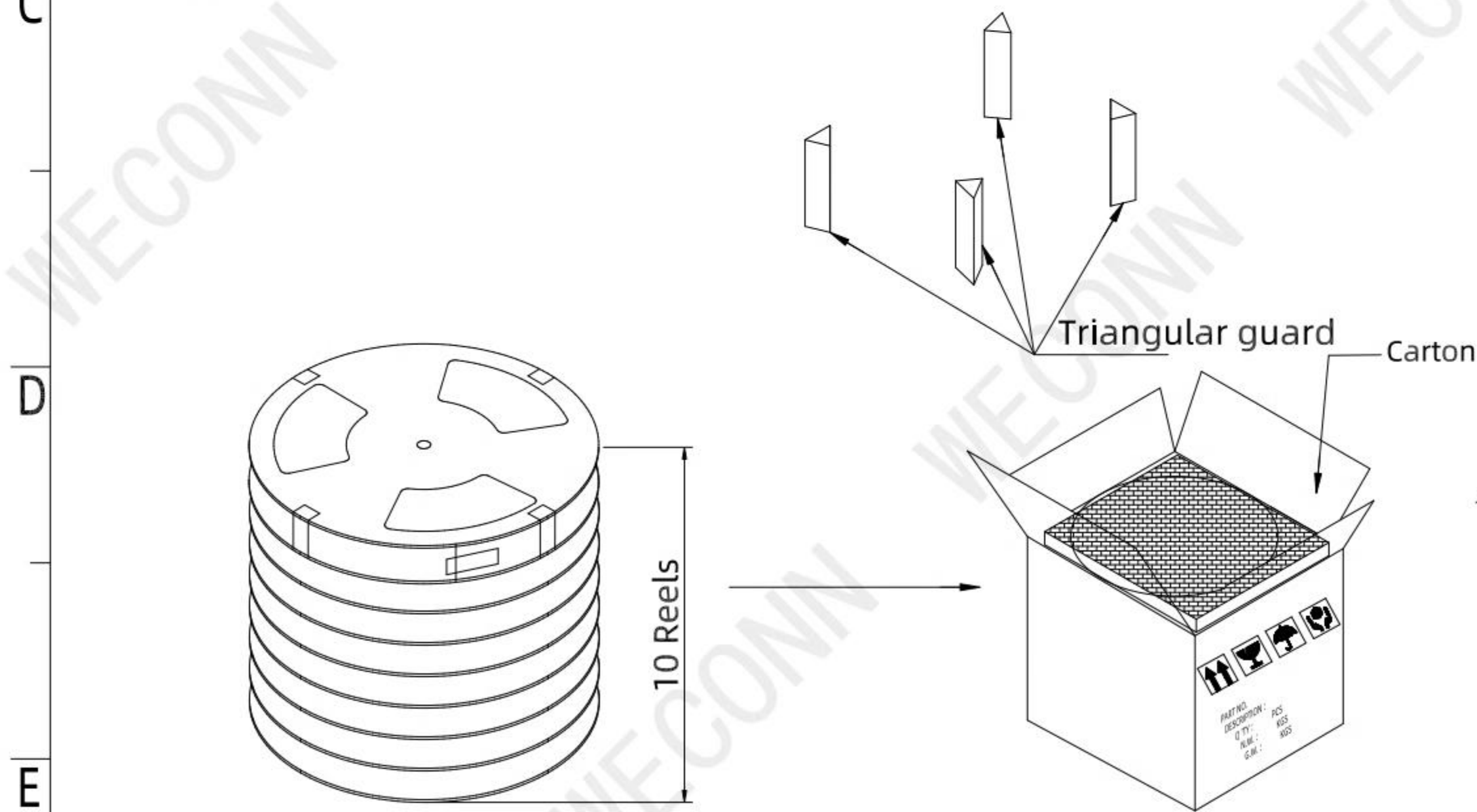
MILLIMETERS	INCH	UNITS	WECONN® 深圳市微连电子有限公司 ShenZhen Welink Electronics Co.,Ltd			
X.° ± 2°	X.° ± 2°	MM	PART NUMBER: WL-SIM150-110		TITLE: MICRO SIM卡座 自弹式 6P 带检测脚 防呆	
.X ± 0.30	.XX ± 0.012	MAT'L SEE NOTES	DWG NO.: WL-SIM150-110		APPD: Cornelia	
.XX ± 0.20	.XXX ± 0.008	FINISH SEE NOTES	SCALE		CHKD: Mark	
.XXX ± 0.10	.XXXX ± 0.004	QTY SEE NOTES	1:1	SHEET 1/2	DR: Michael	
THESE DRAWINGS AND SPECIFICATION ARE WECONN ShenZhen Welink Electronics Co.,Ltd COPIED OR USED IN ANY MANNER WITHOUT WECONN ShenZhen Welink Electronics Co.,Ltd			REV. A1			

RoHS

REV.	EC#	DESCRIPTION	DATE	DRAWING	CHECKED	APPROVED
A0		NEW RELEASE	2019.09.29	Michael	Mark	Cornelia



QUANTITY OF PER REEL	1000PCS/REEL
QUANTITY OF PER CARTON	10*1000=10000PCS/CARTON



MILLIMETERS	INCH	UNITS	WECONN® 深圳市微连电子有限公司 ShenZhen Welink Electronics Co.,Ltd			
X.° ± 2°	X.° ± 2°	MM	PART NUMBER: WL-SIM150-110		TITLE: MICRO SIM卡座 自弹式 6P 带检测脚 防呆	
.X ± 0.30	.XX ± 0.012	MAT'L SEE NOTES	DWG NO.: WL-SIM150-110		APPD:	Cornelia
.XX ± 0.20	.XXX ± 0.008	FINISH SEE NOTES	SCALE	SHEET	CHKD:	Mark
.XXX ± 0.10	.XXXX ± 0.004	QTY SEE NOTES	1:1	2/2	DR:	Michael
THESE DRAWINGS AND PECIFICATION ARE Welink ShenZhen Welink Electronics Co.,Ltd COPIED OR USED IN ANY MANNER WITHOUT Welink ShenZhen Welink Electronics Co.,Ltd						