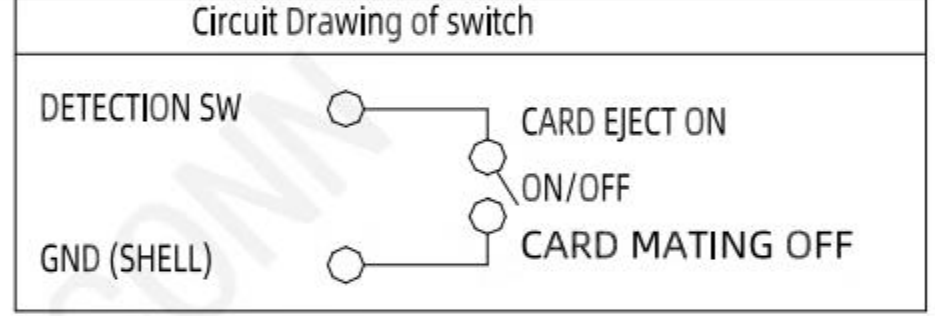
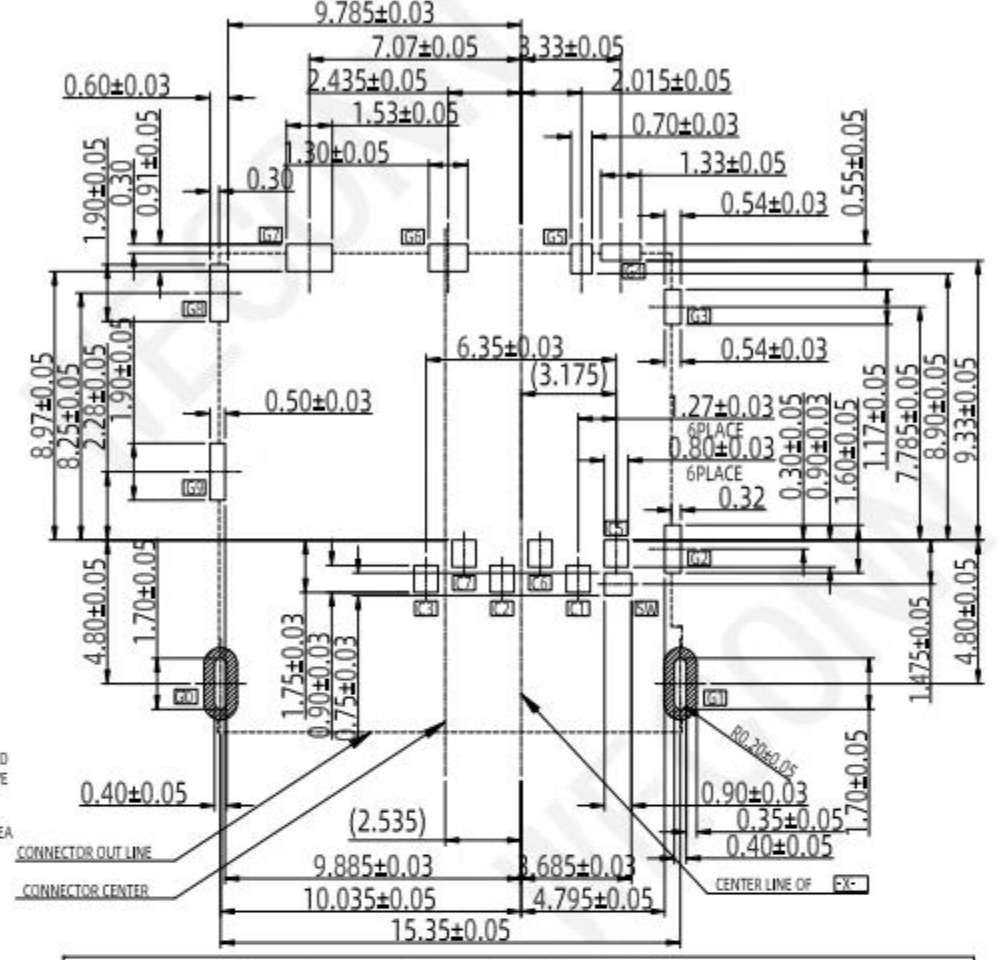
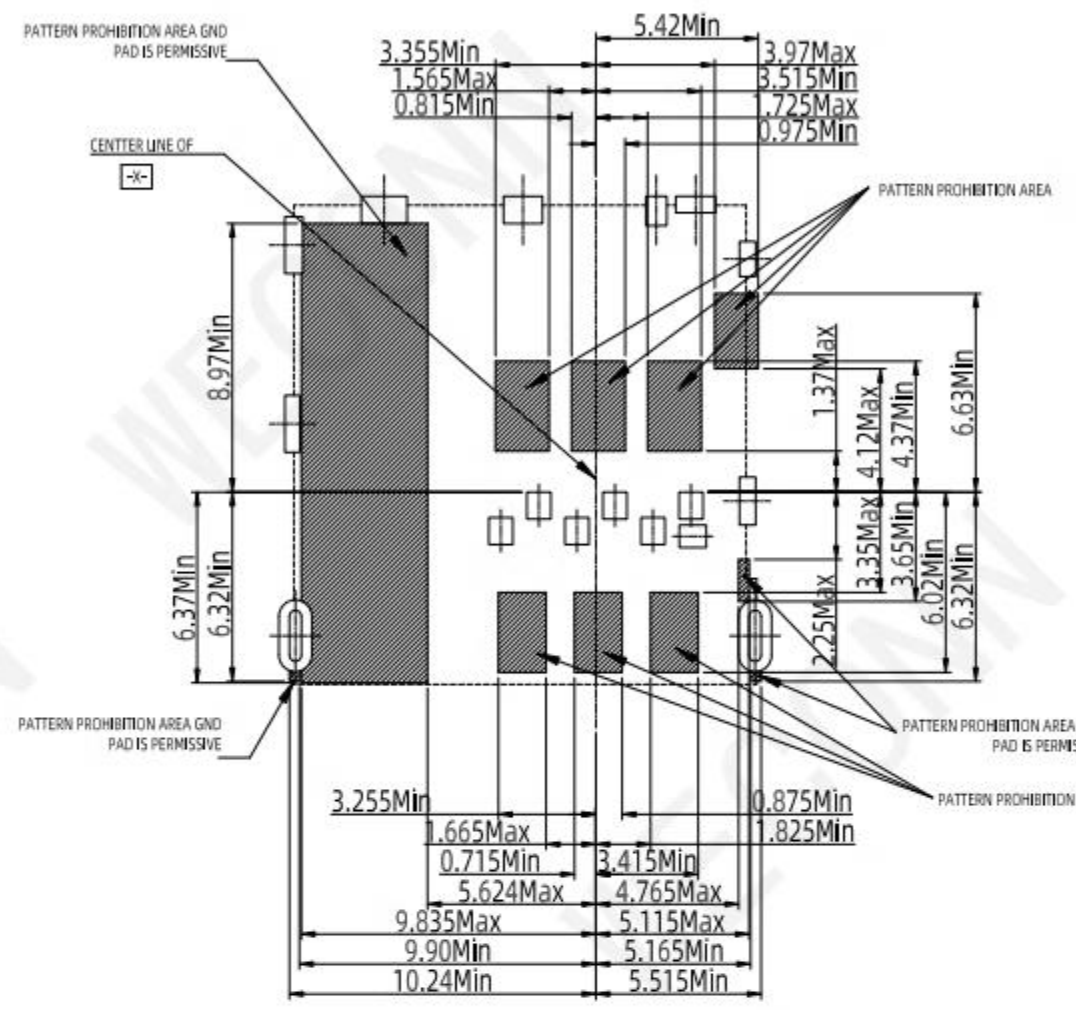
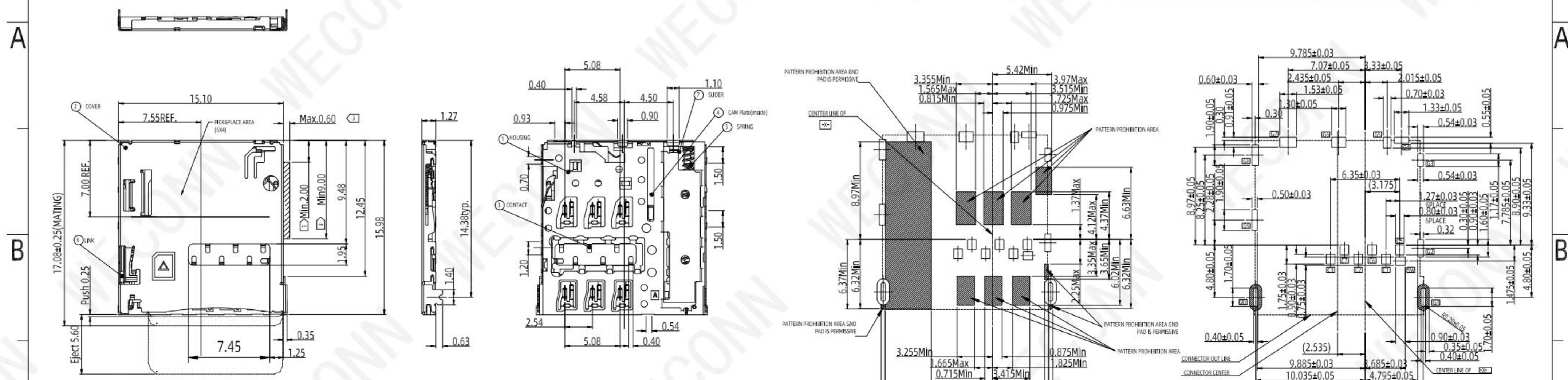
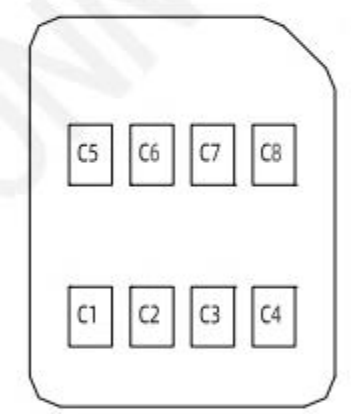


RoHS

REV.	EC#	DESCRIPTION	DATE	DRAWING	CHECKED	APPROVED
A0		NEW RELEASE	2020.09.24	Michael	Mark	Cornelia

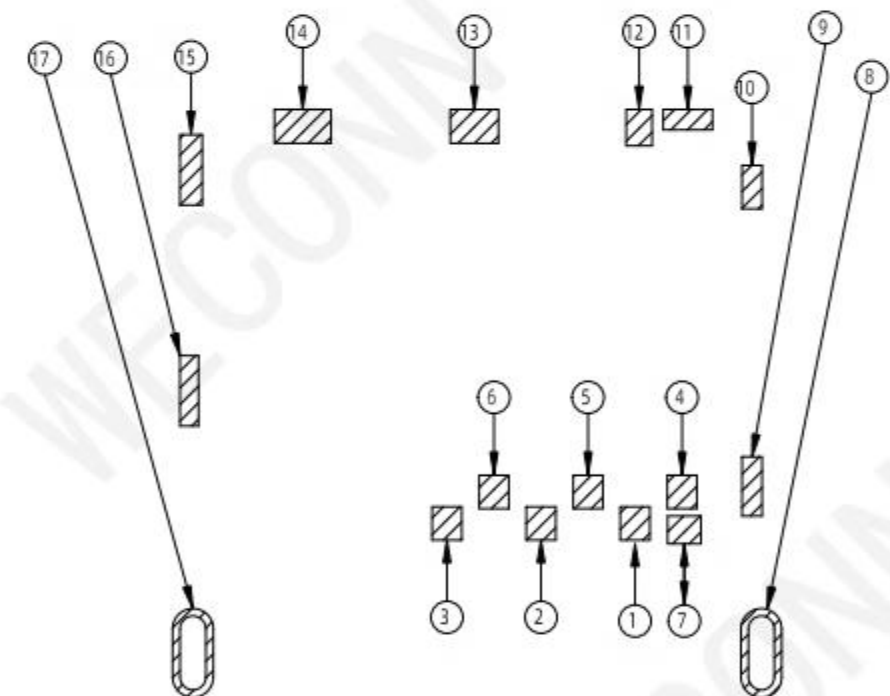


【SIM CARD PAD LAYOUT】



【SIM Card Pin Assignments】

PIN	Name
C1	Vcc
C2	RST
C3	CLK
C4	Reserved
C5	GND
C6	Vpp
C7	I/O
C8	Reserved



【 Connector Pin Assignments】

No.	Pin name	Description
①	C1	Vcc of SIM
②	C2	RST of SIM
③	C3	CLK of SIM
④	C5	GND of SIM
⑤	C6	Vpp of SIM
⑥	C7	I/O of SIM
⑦	SW	Detection Switch
⑧ ~ ⑰	GND	Shell Ground

NO.	DESCRIPTION	Q'TY	Material
7	SLIDER	1	LCP UL94V-0
6	LINK	1	STAINLESS STEEL
5	SPRING	1	SWP-B
4	CAM Plate(inside)	1	STAINLESS STEEL
3	CONTACT	1	COPPER ALLOY Nickel Barrier Contact: Au 1u" Min over Ni 40~200u" Lead : Au flash 1u" Min over Ni 40~200u"
2	COVER	1	STAINLESS STEEL Not hold down : Nickel 10~200u" Hold down : Au flash 1u" Min over Ni 10~200u"
1	HOUSING	1	LCP UL94V-0

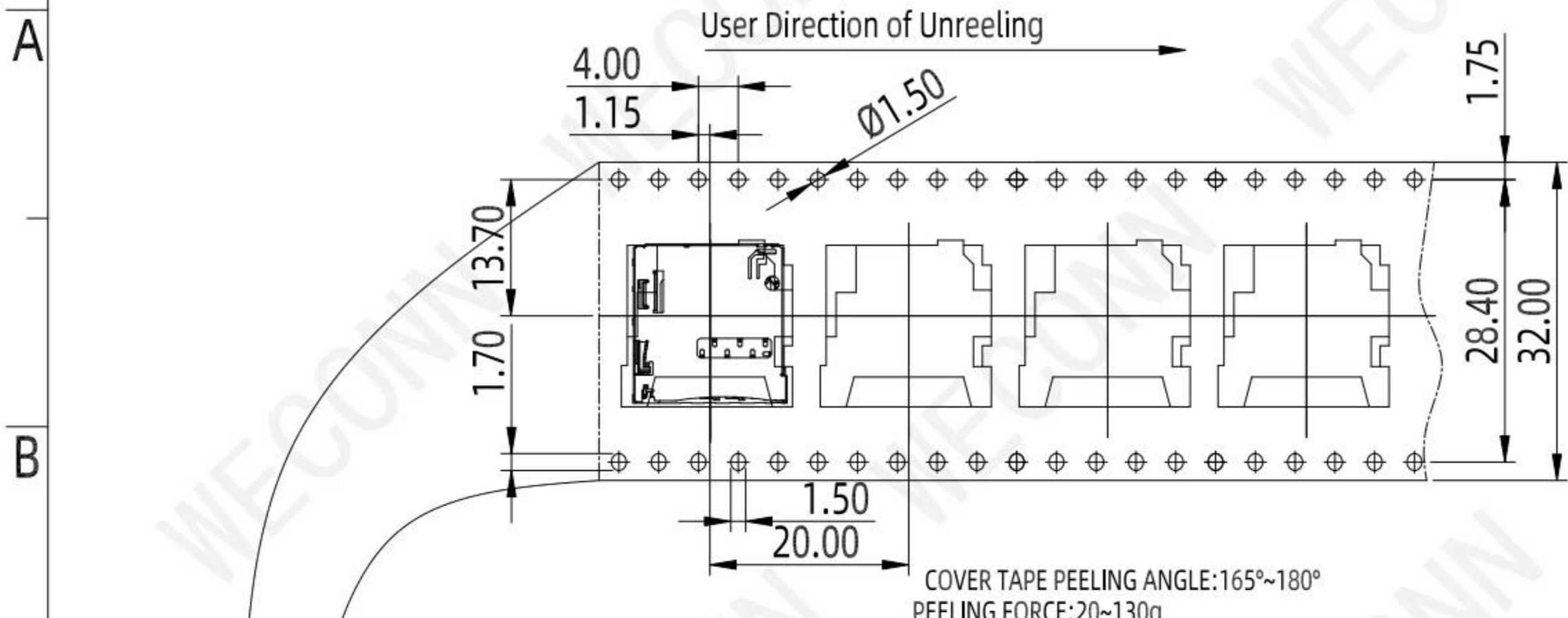
- NOTE:
1. LEAD Co-planarity :Max 0.10mm;
 2. No rust, contamination, damage nor deformation effecting on function
 3. Switch moving area
 4. Non-cumulative tolerance
 5. Circuit Drawing of switch

PLEASE CONTACT WELINK SALES REPRESENTATIVE TO VERIFY PRODUCT DETAILS & AVAILABILITY

MILLIMETERS	INCH	UNITS	WECONN 深圳市微连电子有限公司 ShenZhen Welink Electronics Co.,Ltd		
X. ± 0.2	X.° ± 5°	MM	PART NUMBER:		TITLE:
.X ± 0.15	.X° ± 2°	MAT'L	WL-SIM127-145		MICRO SIM卡座 自弹式 超薄 1.27
.XX ± 0.1	.XX° ± 1°	SEE NOTES	DWG NO.:		APPD: Cornelia
.XXX ± 0.01	.XXX° ± 0.5°	FINISH	WL-SIM127-145		CHKD: Mark
SEE NOTES			SCALE	SHEET	REV.
SEE NOTES			1:1	1/2	A1
THESE DRAWINGS AND PECIFICATION ARE Welink ShenZhen Welink Electronics Co.,Ltd COPIED OR USED IN ANY MANNER WITHOUT Welink ShenZhen Welink Electronics Co.,Ltd			DR: Michael		

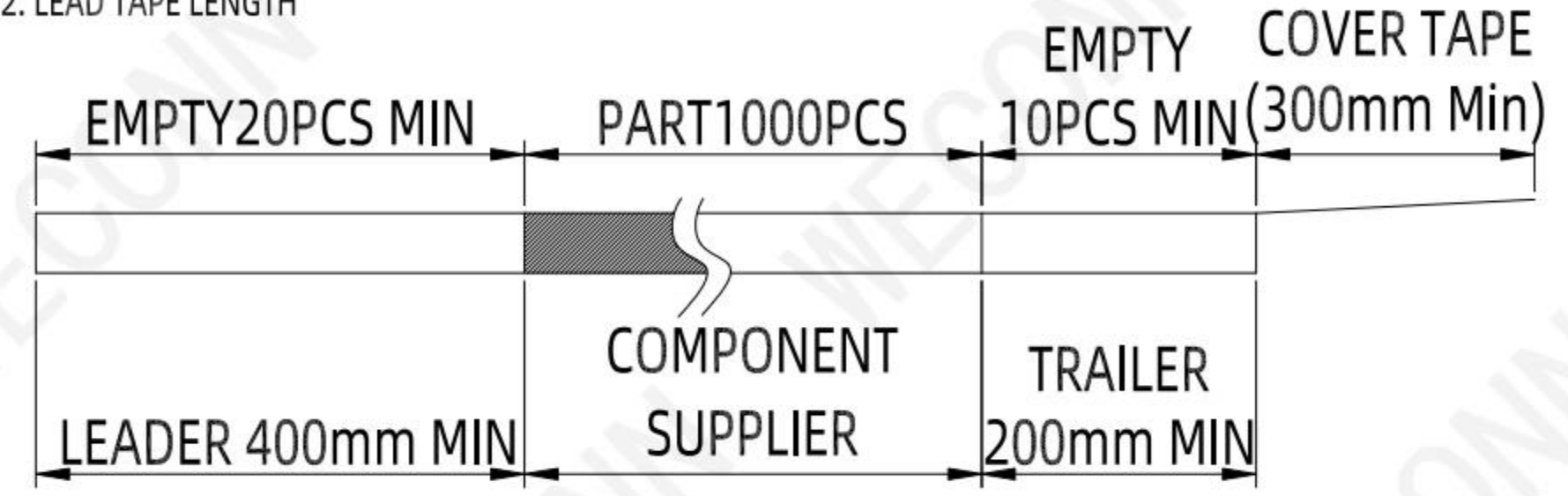
RoHS

REV.	EC#	DESCRIPTION	DATE	DRAWING	CHECKED	APPROVED
A0		NEW RELEASE	2020.09.24	Michael	Mark	Cornelia

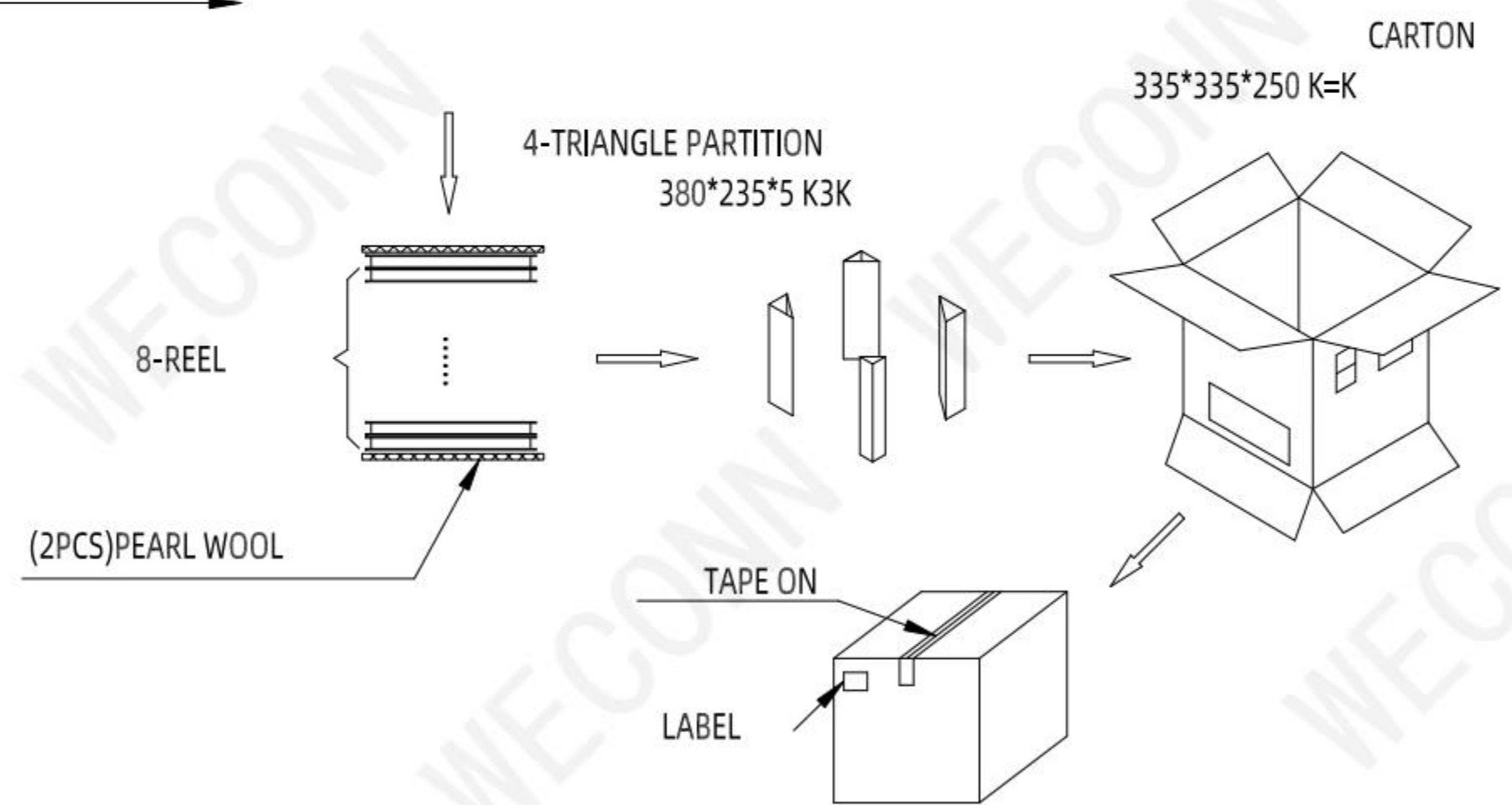
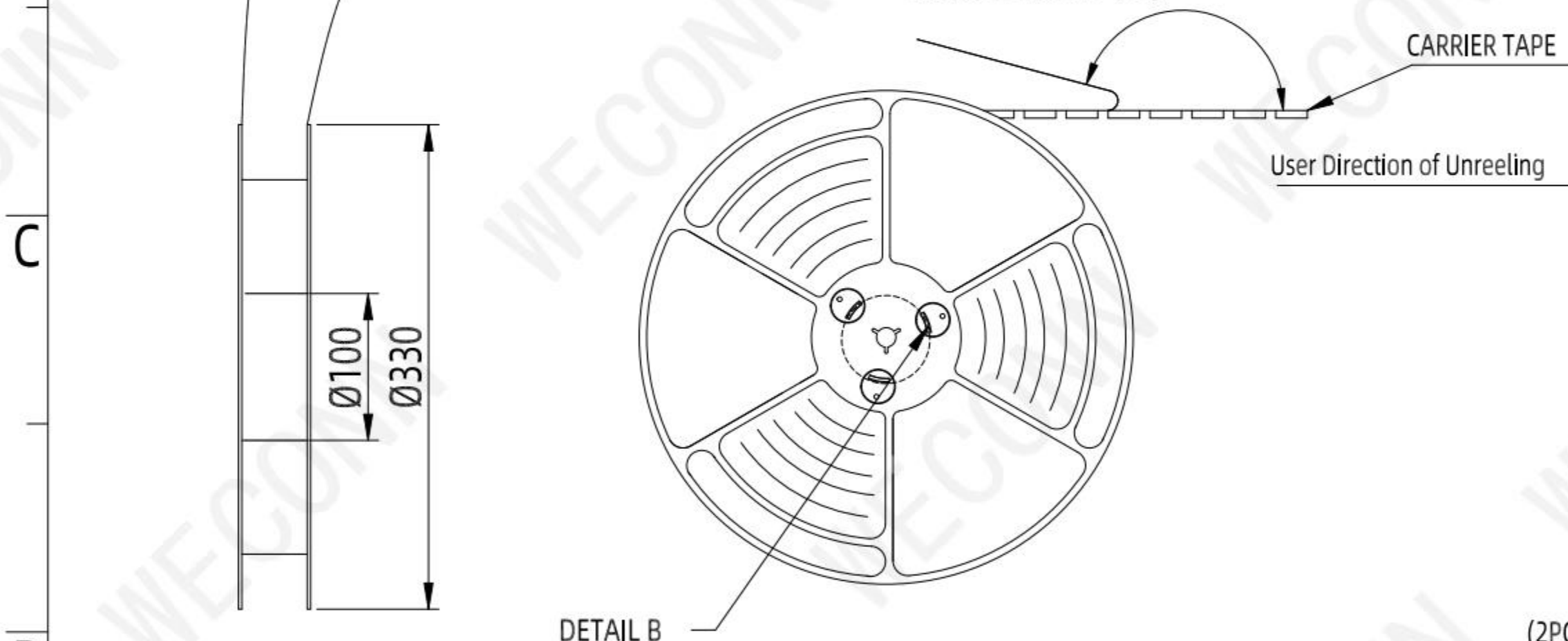


NOTES

- 1. NUMBER OF CONNECT ORS: 1000 PCS/REEL
- 2. LEAD TAPE LENGTH



- 3. QUANTITY: 7000PCS/CARTON
- 4. WEIGHT: THE NET WEIGHT OF PER PART IS 0.38g.



MILLIMETERS	INCH	UNITS	WECONN® 深圳市微连电子有限公司 ShenZhen Welink Electronics Co.,Ltd			
X. ± 0.2	X.° ± 5°	MM	PART NUMBER:		TITLE:	
.X ± 0.15	.X° ± 2°	MAT'L	WL-SIM127-145		MICRO SIM卡座 自弹式 超薄 1.27	
.XX ± 0.1	.XX° ± 1°	SEE NOTES	DWG NO.:		APPD:	Cornelia
.XXX ± 0.01	.XXX° ± 0.5°	FINISH	WL-SIM127-145		CHKD:	Mark
THESE DRAWINGS AND PECIFICATION ARE Welink ShenZhen Welink Electronics Co.,Ltd COPIED OR USED IN ANY MANNER WITHOUT Welink ShenZhen Welink Electronics Co.,Ltd			QTY	SCALE	SHEET	REV.
			SEE NOTES	1:1	2/2	A1
						DR:
						Michael