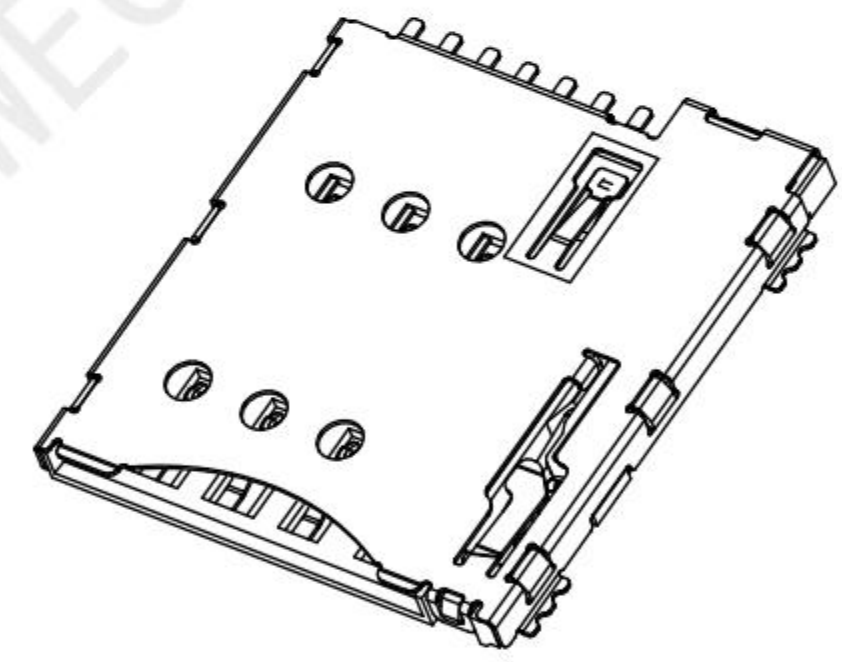
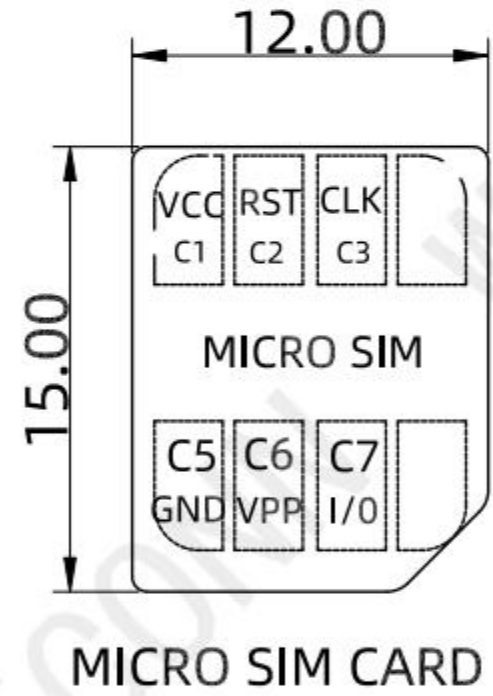
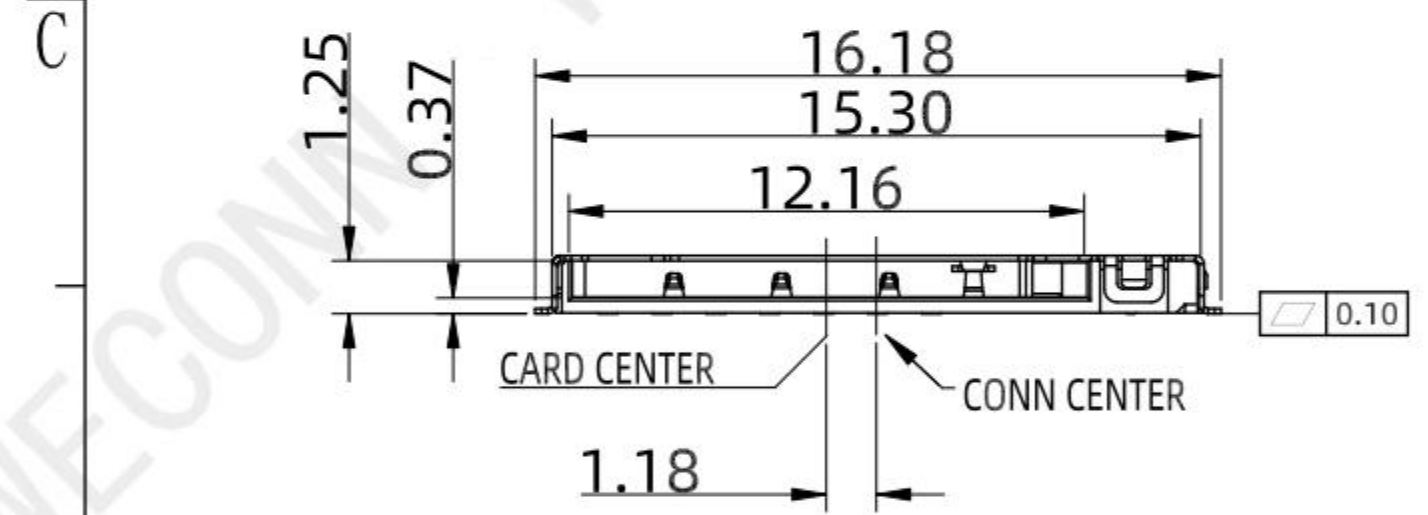
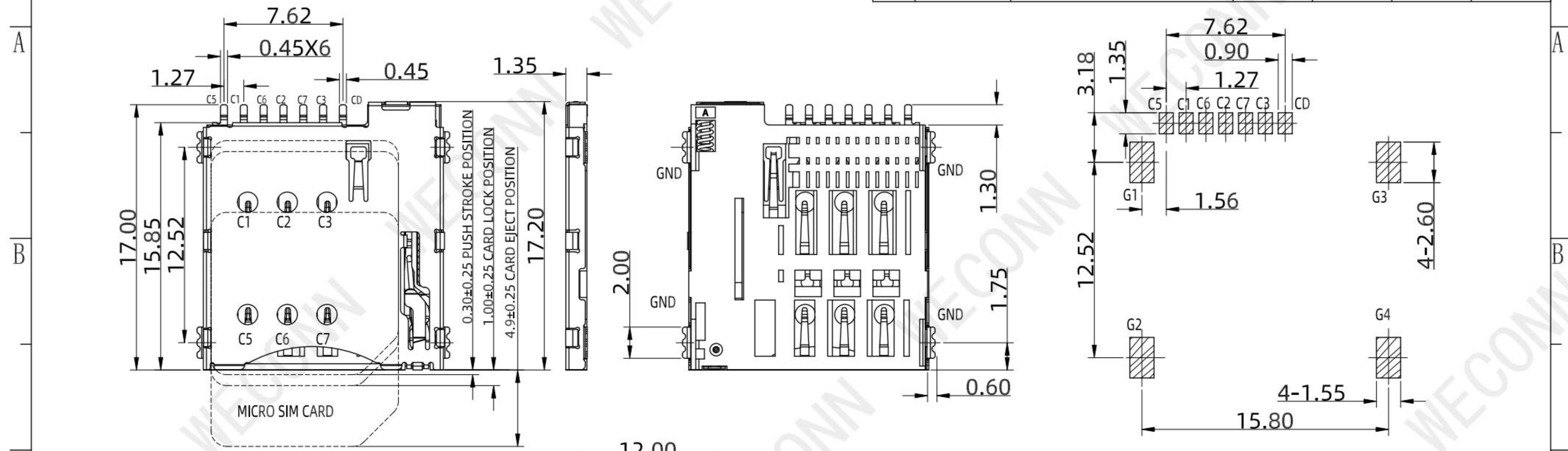


RoHS

REV.	EC#	DESCRIPTION	DATE	DRAWING	CHECKED	APPROVED
A0		NEW RELEASE	2019.03.26	Michael	Mark	Cornelia

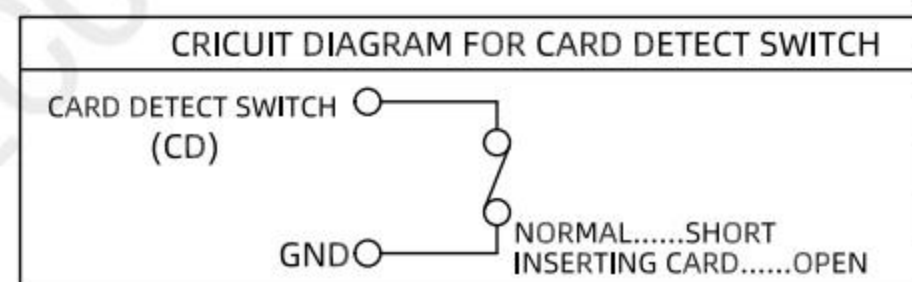


■ CIRCUIT TRACE KEEP OUT AREA  
 ■ SMT SOLDER AREA  
 G1-GN pin is defined as GND  
 THERE SHOULD NOT BE ANY CIRCUITRIES IN THE LAYOUT SPACE OF THE PRODUCTS.

RECOMMENDED PCB LAYOUT  
 GENERAL TOLERANCE ±0.05

NOTES:  
 MATERIAL:  
 Insulator: High Temperature Thermoplastic,  
 Contact: Copper Alloy  
 Shell: STAINLESS  
 PLATING:  
 Contact: Plated 30u" Ni Overall ,Solder Area: Tin,Contact G/F  
 Shell: Plated 30u" Ni Overall  
 Plated G/F Selective Contact Area  
 Electrical:  
 Current Rating :0.5mA max.  
 Voltage Rating :50V DC MAX  
 Ambient Temperature Range :-20°C~+85°C  
 Storage Temperature Range :-40°C~+70°C  
 Ambient Humidity Range :95% R.H. Max.  
 Contact Resistance:100mΩ max.  
 Insulation Resistance:1000MΩ min./250V DC  
 Dielectric Withstanding Voltage:500V AC  
 Mating Cycles:5,000 Insertions  
 Temperature: 260°C ±5°

PLEASE CONTACT WELINK SALES REPRESENTATIVE TO VERIFY PRODUCT DETAILS & AVAILABILITY



SIM pin Assignment	
PIN#	Name
C1	VCC
C2	RST
C3	CLK
C5	GND
C6	VPP
C7	I/O

MILLIMETERS	INCH	UNITS
$x^{\circ} \pm 2^{\circ}$	$x^{\circ} \pm 2^{\circ}$	MM
.X ±0.30	.XX ±0.012	MAT'L SEE NOTES
.XX ±0.20	.XXX ±0.008	FINISH SEE NOTES
.XXX ±0.10	.XXXX ±0.004	QTY SEE NOTES

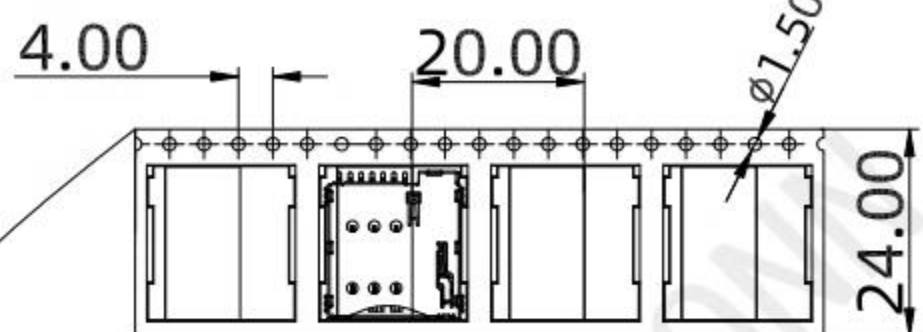
THESE DRAWINGS AND SPECIFICATION ARE WELINK  
 SHENZHEN WELINK ELECTRONICS CO.,LTD  
 COPIED OR USED IN ANY MANNER WITHOUT WELINK  
 SHENZHEN WELINK ELECTRONICS CO.,LTD

WELINK® 深圳市微连电子有限公司 ShenZhen Welink Electronics Co.,Ltd		
PART NUMBER: WL-SIM135-096		TITLE: MICRO SIM卡座 自弹式 7P 1.35H 带检测脚
DWG NO. : WL-SIM135-096		APPD: Cornelia
SCALE: 1:1	SHEET: 1/2	CHKD: Mark
REV: A1		DR: Michael

RoHS

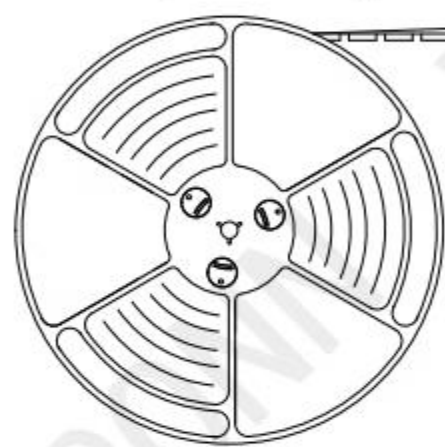
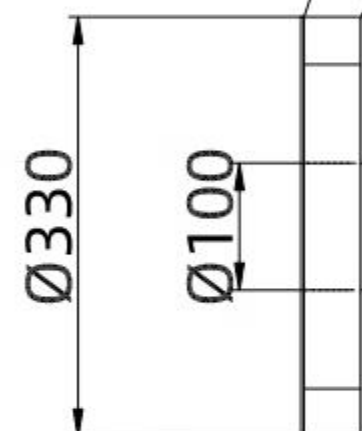
Pull out direction

REV.	EC#	DESCRIPTION	DATE	DRAWING	CHECKED	APPROVED
A0		NEW RELEASE	2019.03.26	Michael	Mark	Cornelia



Pull out direction

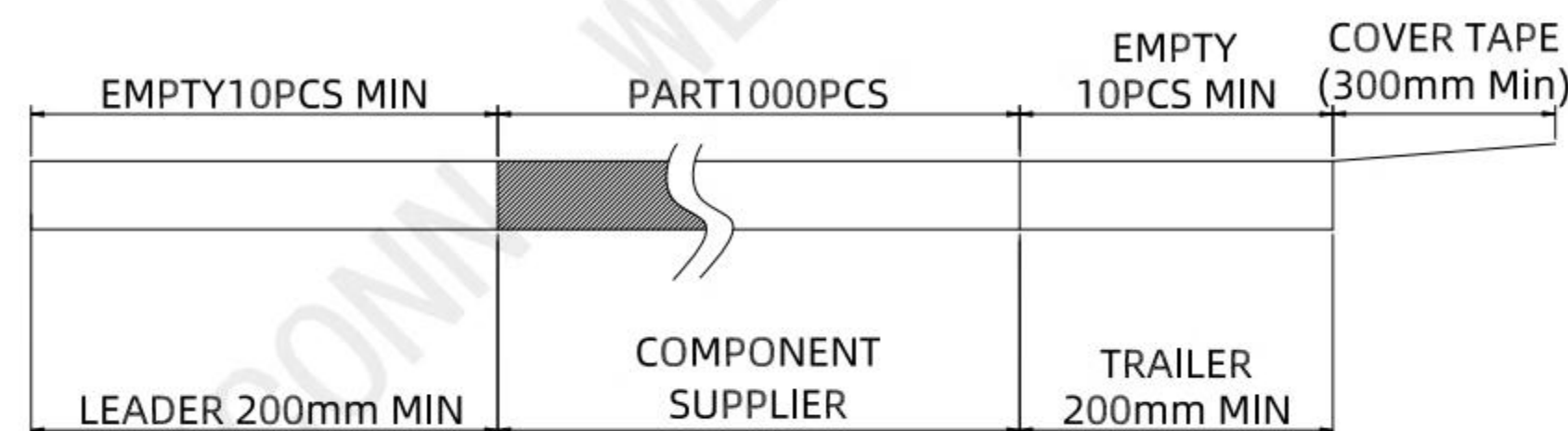
Self-adhesive paper on top



Each top of the bottom of the carton is protected by a piece of pearl cotton

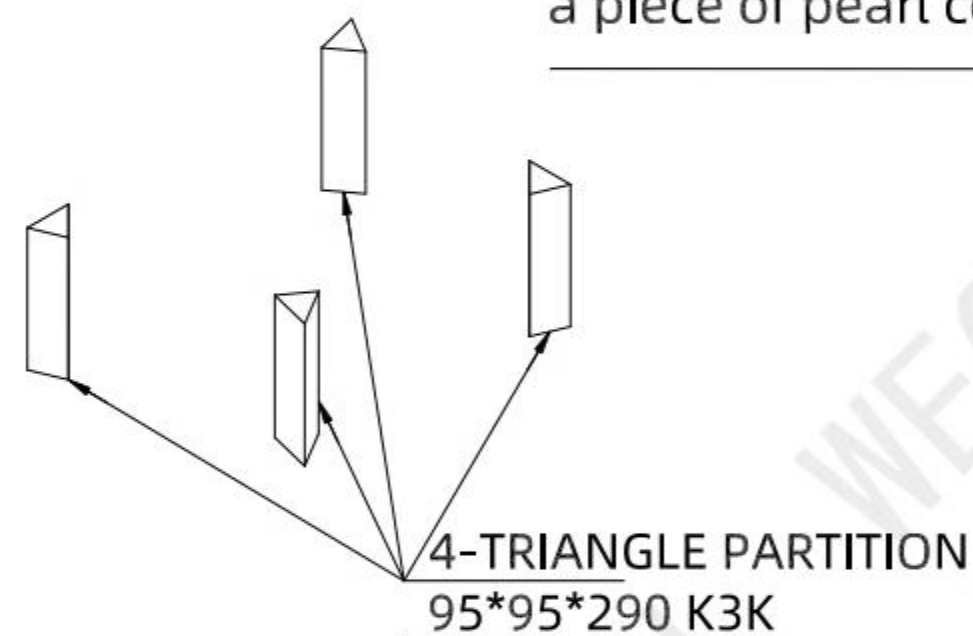
NOTES

- 1. NUMBER OF CONNECTORS: 1000PCS/REEL
- 2. LEAD TAPE LENGTH

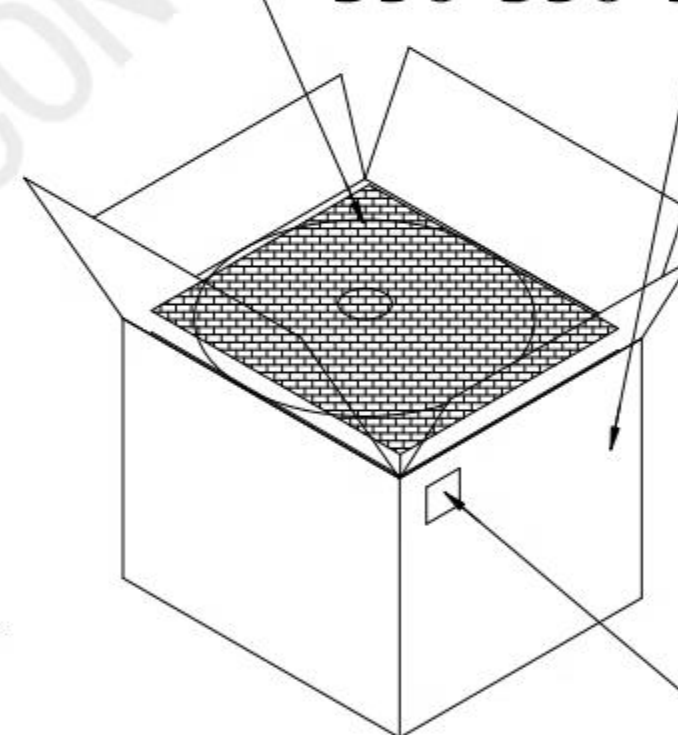


3. QUANTITY: 10000PCS/CARTON

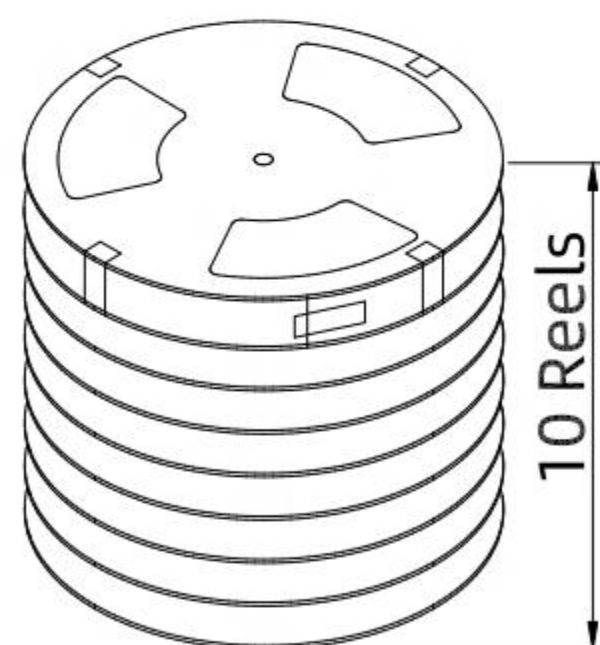
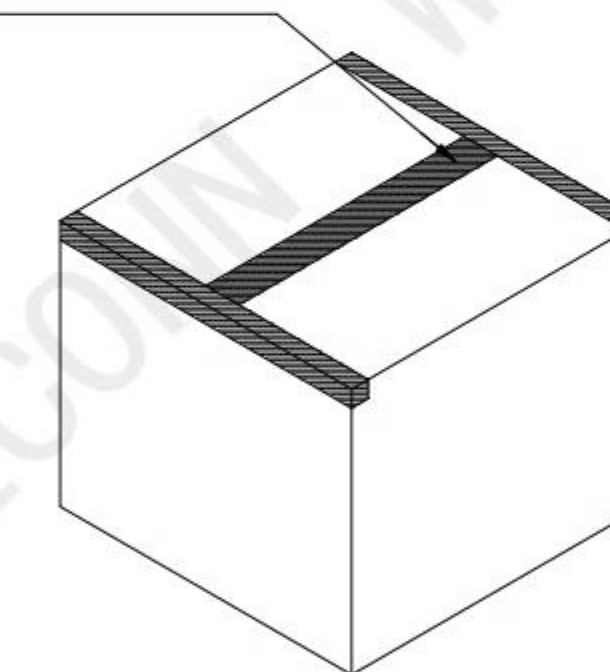
Tape type sealing box



CARTON  
350\*350\*340 K=K



LABEL



10 Reels

10 rolls per carton

MILLIMETERS	INCH	UNITS
X.° ± 2°	X.° ± 2°	MM
.X ± 0.30	.XX ± 0.012	MAT'L SEE NOTES
.XX ± 0.20	.XXX ± 0.008	FINISH SEE NOTES
.XXX ± 0.10	.XXXX ± 0.004	QTY SEE NOTES

THESE DRAWINGS AND PECIFICATION ARE Welink ShenZhen Welink Electronics Co.,Ltd COPIED OR USED IN ANY MANNER WITHOUT Welink ShenZhen Welink Electronics Co.,Ltd



**WECONN**® 深圳市微连电子有限公司  
ShenZhen Welink Electronics Co.,Ltd

PART NUMBER: WL-SIM135-096 TITLE: MICRO SIM卡座 自弹式 7P 1.35H 带检测脚

DWG NO.: WL-SIM135-096 APPD: Cornelia

SCALE: 1:1 SHEET: 2/2 REV: A1 CHKD: Mark

DR: Michael