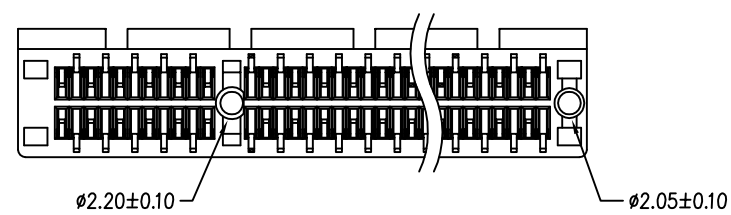
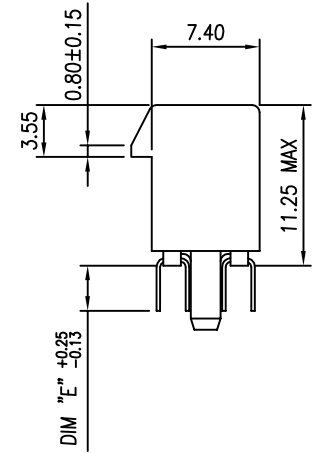
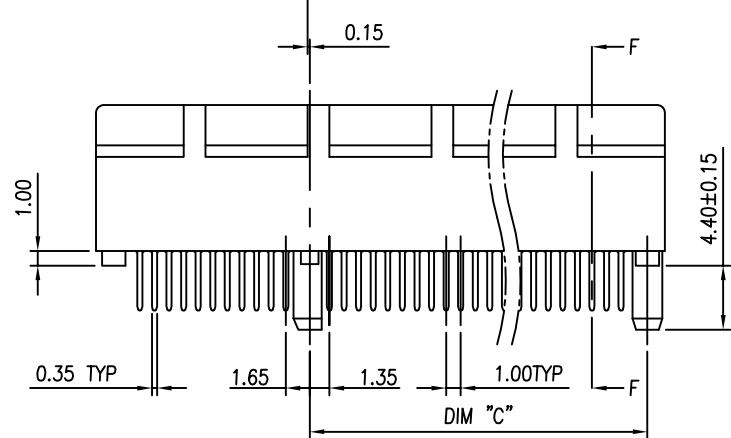
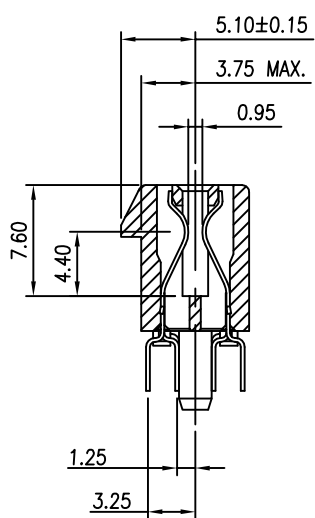
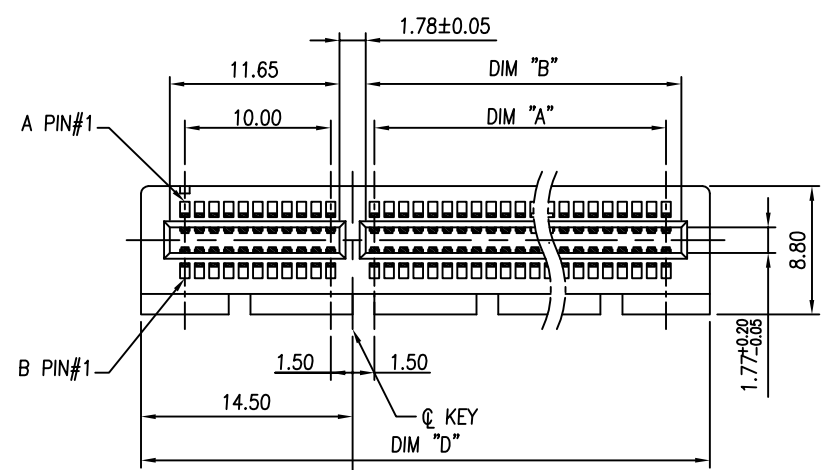


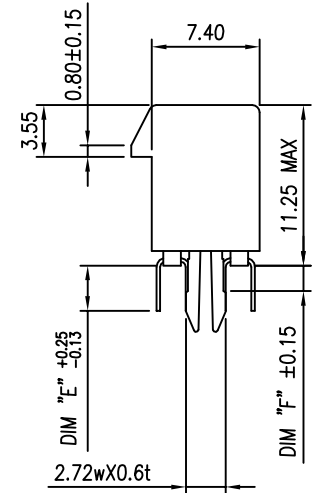
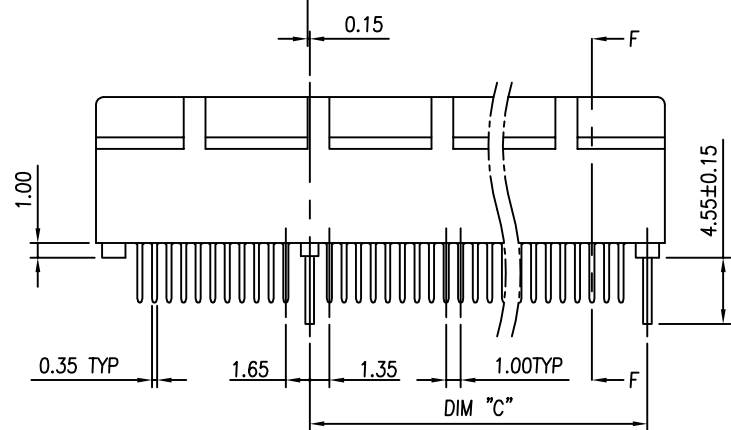
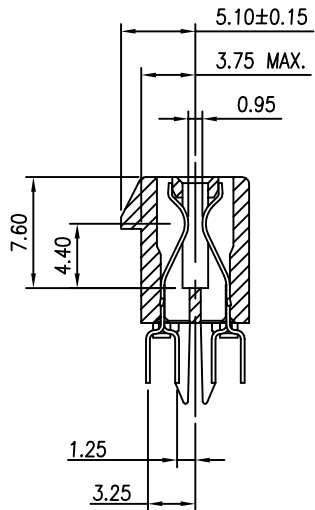
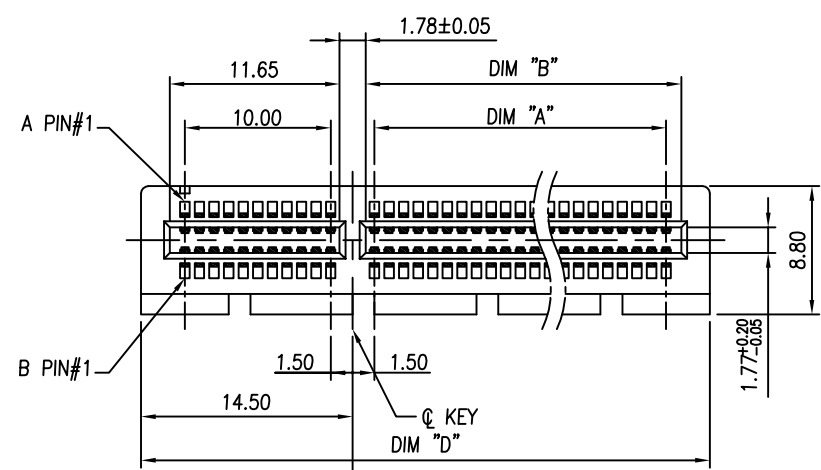
DIMENSIONS				
POSITION	A ±0.20	B $^{+0.25}_{-0.05}$	C ±0.20	D ±0.23
36	6	7.65	9.15	25.00
64	20	21.65	23.15	39.00
98	37	38.65	40.15	56.00
164	70	71.65	73.15	89.00



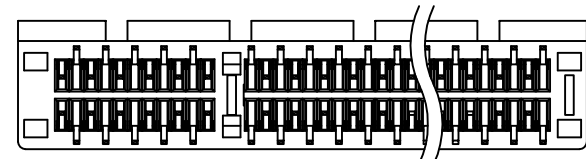
DUAL POST TYPE

				TOLERANCE		WECONN® 深圳市微连电子有限公司 ShenZhen Welink Electronics Co.,Ltd		TITLE: PCI EXPRESS 1.0mm CARD EDGE ASSY'				
				LINEAR	ANGLES			PART NO. 8186-XXXXPXT				
B1	----	Lei Songping	Jul,05,2022	X.±0.40	X'±	APPD:	John	MAT'L:	DWG NO. 818607001			
B0	----	Terry	May,11,2011	.X±0.30	.X'±	CHKD:	Jason	FINISH:	UNITS SCALE SHEET REV			
B	09026	Terry	Jul,10,2009	.XX±0.20	.XX'±	DRWN:	Schumi	Q'TY:	MM	1 : 1	1 OF 5	B1
REV	ECN NO.	NAME	DATE	.XXX±0.10	.XXX'±							

DIMENSIONS				
POSITION	A ±0.20	B $^{+0.25}_{-0.05}$	C ±0.20	D ±0.23
36	6	7.65	9.15	25.00
64	20	21.65	23.15	39.00
98	37	38.65	40.15	56.00
164	70	71.65	73.15	89.00



DIM E	PCB THICKNESS	DIM F
2.30	1.56	1.7
3.10	2.36	2.5
2.54	1.56	1.7



CLIP TYPE

See Sheet 1			
REV	ECN NO.	NAME	DATE

TOLERANCE	
LINEAR	ANGLES
X.±0.40	X°.±
.X±0.30	.X°±
.XX±0.20	.XX°±
.XXX±0.10	.XXX°±

WECONN 深圳市微连电子有限公司
ShenZhen Welink Electronics Co.,Ltd

APPD: Jason MAT'L:
 CHKD: Schumi FINISH:
 DRWN: Schumi Q'TY:

TITLE: PCI EXPRESS 1.0mm CARD EDGE ASSY'

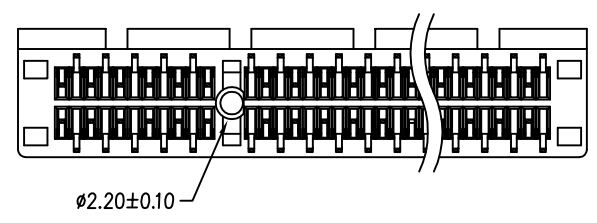
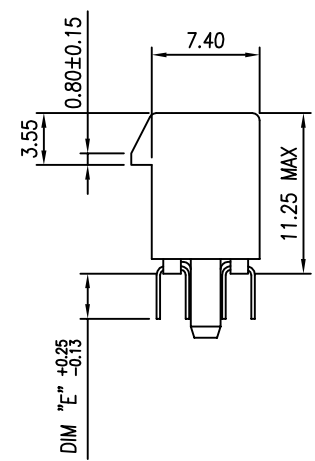
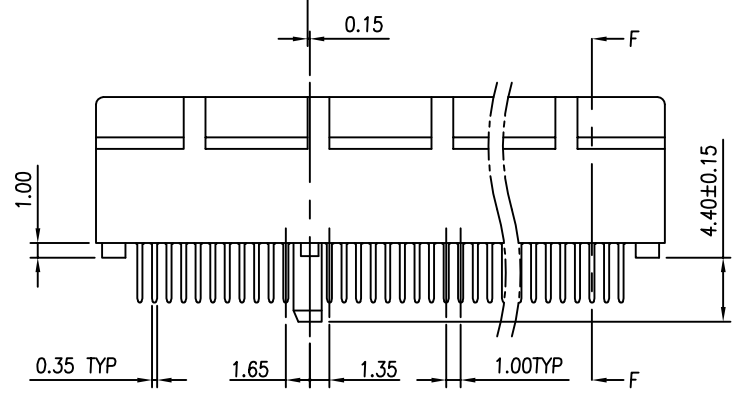
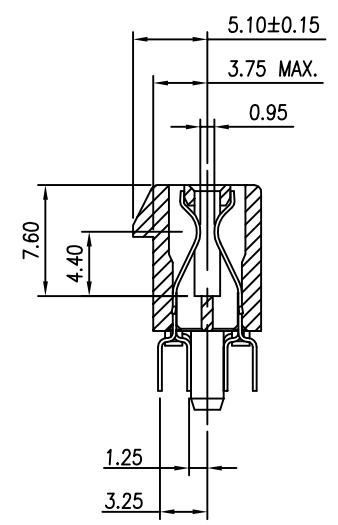
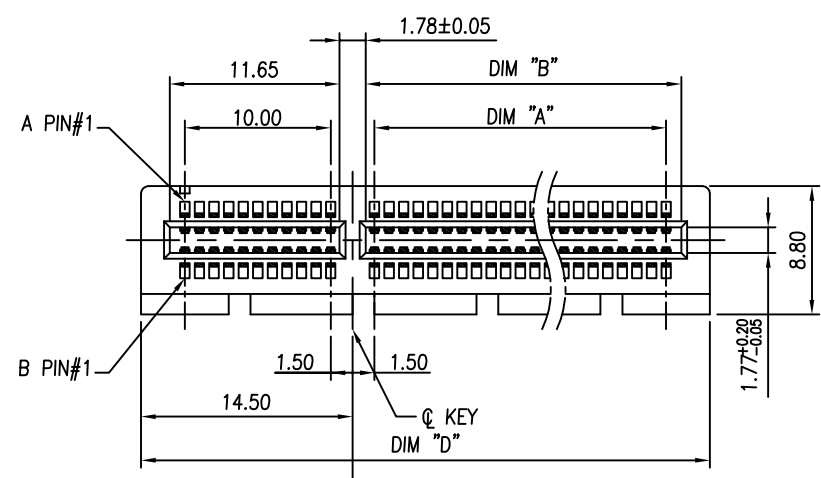
PART NO. 8186-XXXXPXT

DWG NO. 818607001

UNITS	SCALE	SHEET	REV
MM	1 : 1	2 OF 5	B1



DIMENSIONS			
POSITION	A ±0.20	B $+0.25$ -0.05	D ±0.23
36	6	7.65	25.00
64	20	21.65	39.00
98	37	38.65	56.00
164	70	71.65	89.00



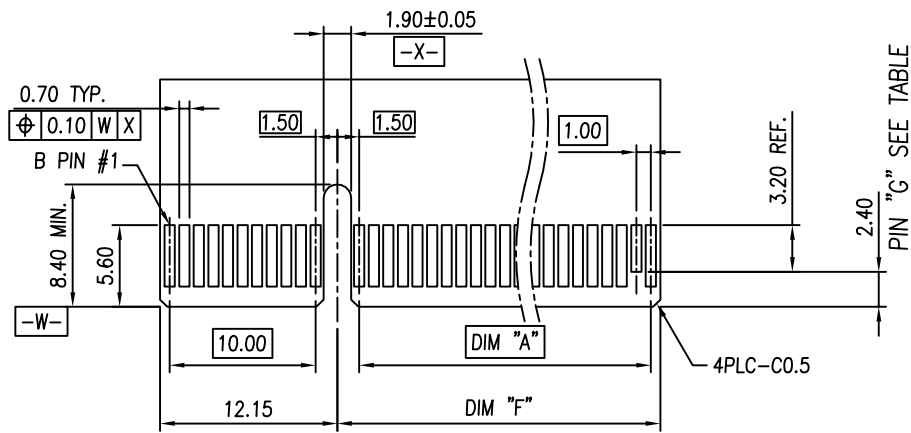
SINGLE POST TYPE

See Sheet 1			
REV	ECN NO.	NAME	DATE

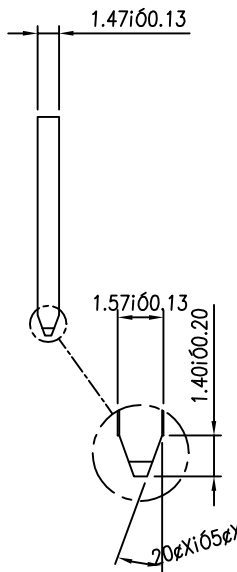
TOLERANCE	
LINEAR	ANGLES
X.±0.40	X'±
.X±0.30	.X'±
.XX±0.20	.XX'±
.XXX±0.10	.XXX'±

WECONN 深圳市微连电子有限公司 ShenZhen Welink Electronics Co.,Ltd	
APPD: Jason	MAT'L:
CHKD: Schumi	FINISH:
DRWN: Schumi	Q'TY:

TITLE: PCI EXPRESS 1.0mm CARD EDGE ASSY'			
PART NO. 8186-XXXXPXT			
DWG NO. 818607001			
UNITS	SCALE	SHEET	REV
MM	1 : 1	3 OF 5	B1

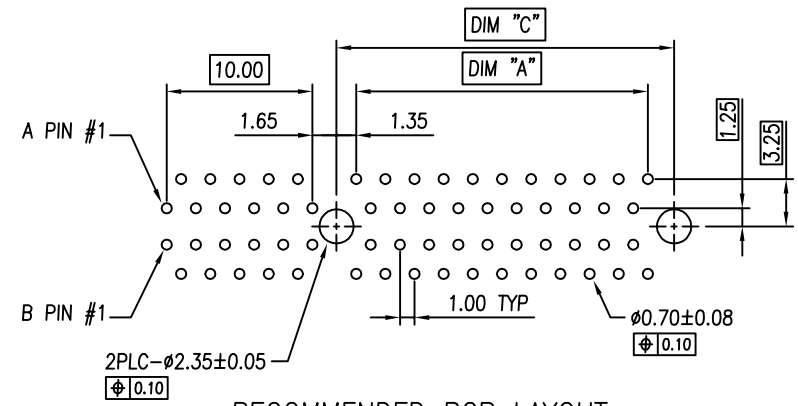


I/O PANEL DIRECTION
PRIMARY (COMPONENT) SIDE



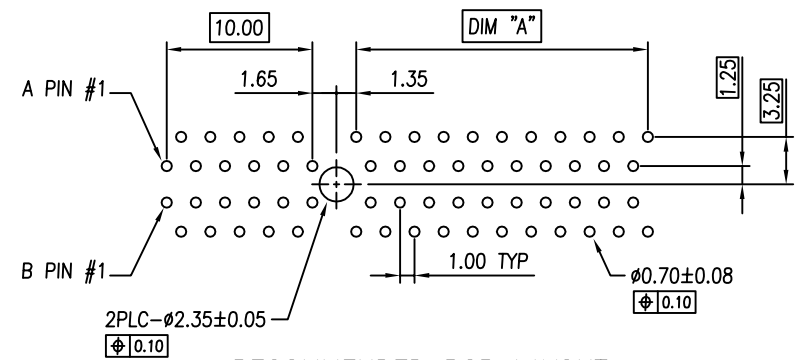
I/O PANEL DIRECTION
SECONDARY (SOLDER) SIDE
ADD-IN CARD EDGE-FINGER DIMENSIONS

DIMENSIONS				
POSITION	A	C	F ±0.20	G
36	6	9.15	8.15	B PIN#17
64	20	23.15	22.15	B PIN#31
98	37	40.15	39.15	B PIN#48
164	70	73.15	72.15	B PIN#81



RECOMMENDED PCB LAYOUT
POST TYPE & CLIP TYPE

TOLERANCE: ±0.05



RECOMMENDED PCB LAYOUT
SINGLE POST TYPE

TOLERANCE: ±0.05

TOLERANCE	
LINEAR	ANGLES
X.	X'±
.X	.X'±
.XX	.XX'±
.XXX	.XXX'±

WECONN 深圳市微连电子有限公司
ShenZhen Welink Electronics Co.,Ltd

APPD: Jason MAT'L:
CHKD: Schumi FINISH:
DRWN: Schumi Q'TY:

TITLE: PCI EXPRESS 1.0mm
CARD EDGE ASSY'

PART NO. 8186-XXXXPXT
DWG NO. 818607001

UNITS	SCALE	SHEET	REV
MM	1 : 1	4 OF 5	B1

REV	See Sheet 1	NAME	DATE
	ECN NO.		

NOTES:

1. MATERIAL:

1.1 HOUSING: THERMOPLASTIC, HIGH TEMP.,
UL94V-0;
COLOR: SEE PART NO..

1.2 CONTACTS: COPPER ALLOY.

1.3 CLIP: COPPER ALLOY.

2. FINISH:

2.1 CONTACT:

SELECTEIVE GOLD PLATING ON CONTACT AREA.
100μ" MIN. MATTE TIN PLATING ON SOLDER TAILS,
50μ" MIN. NICKEL UNDERPLATING OVERALL.

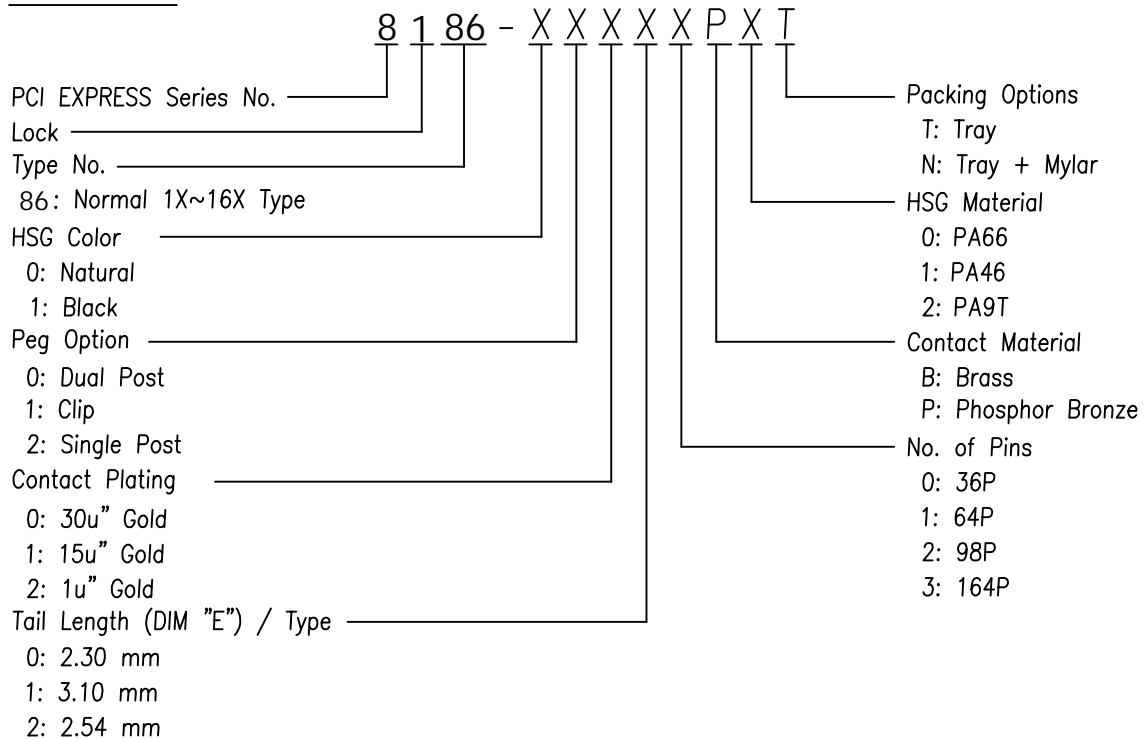
2.2 CLIP:

100μ" MIN. MATTE-TIN OVER 50u" MIN NICKEL PLATING.

3. PRODUCT SPEC.: PS-3GIO-01

4. PACKING SPEC.: 318304001

PART NO.



TOLERANCE		WECONN® 深圳市微连电子有限公司 ShenZhen Welink Electronics Co.,Ltd		TITLE: PCI EXPRESS 1.0mm CARD EDGE ASSY'					
LINEAR	ANGLES			PART NO. 8186-XXXXPXT					
X.	X'±	APPD:	Jason	MAT'L:	DWG NO. 818607001				
.X	.X'±	CHKD:	Schumi	FINISH:		UNITS	SCALE	SHEET	REV
.XX	.XX'±	DRWN:	Schumi	Q'TY:		MM	1 : 1	5 OF 5	B1
.XXX	.XXX'±								

See Sheet 1			
REV	ECN NO.	NAME	DATE