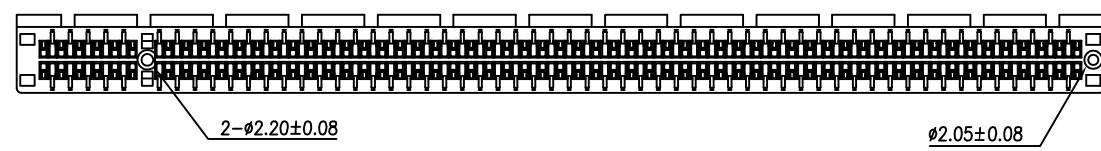


- NOTES:
- MATERIAL:
    - HOUSING: THERMOPLASTIC, HIGH TEMP., UL94V-0; COLOR: BLACK
    - CONTACTS: COPPER ALLOY.
  - FINISH:
    - CONTACT: SELECTIVE GOLD PLATING ON THE CONTACT AREA. 100 μm MIN. MATTE TIN PLATING ON THE SOLDER TAILS, 50 μm MIN. NICKEL UNDERPLATING OVERALL.
  - PRODUCT SPEC.: PS-3GIO-01
  - FOR WAVE SOLDER APPLICATION ONLY



PART NO. 8129 - X 0 X X 0 T

HSG Color: 1: Black

Peg Option: 0: Post

Packing Options: T: Tray

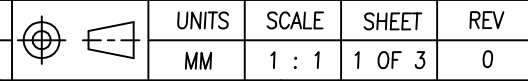
Tail Length (DIM "E"):

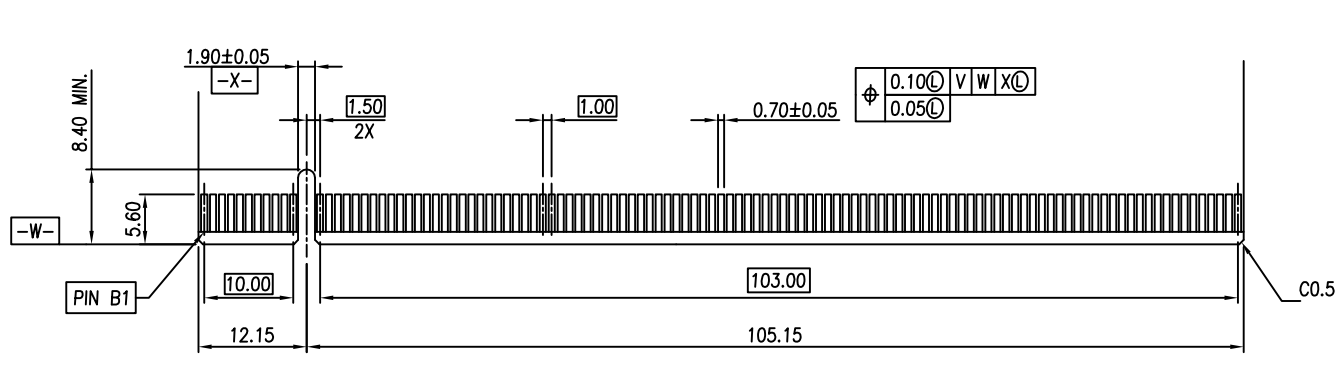
- 1: 3.10 mm
- 2: 2.54 mm

Contact Plating:

- 0: 30u" Gold
- 1: 15u" Gold
- 2: 1u" Gold

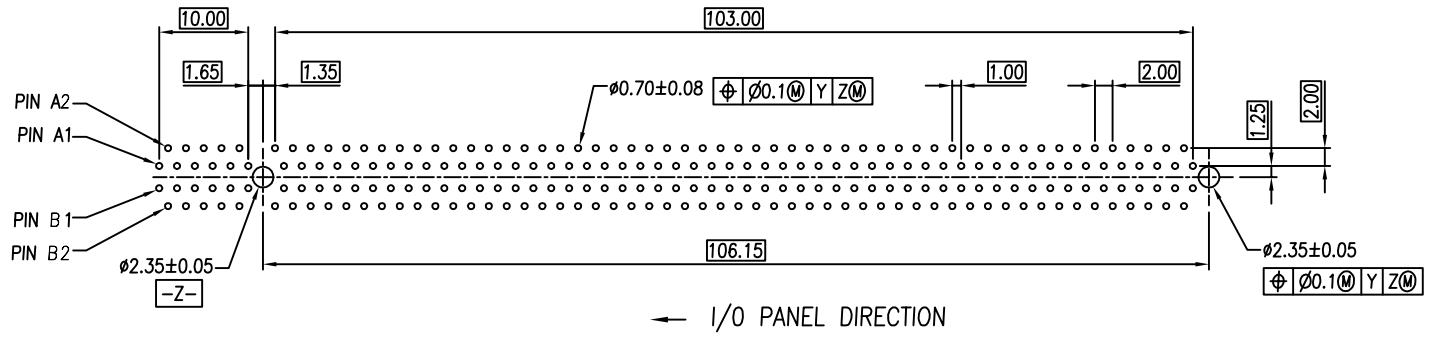
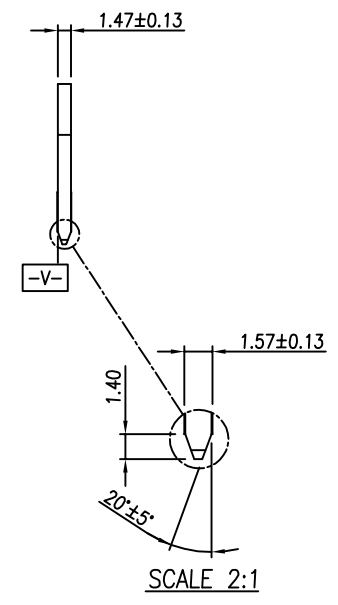
				TOLERANCE		<b>WECONN</b> 深圳市微连电子有限公司 ShenZhen Welink Electronics Co.,Ltd		TITLE: PCI EXPRESS CARD EDGE 230P				
				LINEAR	ANGLES			DWG NO. C-8129				
				X.±0.40	X'.± 3'	APPD:	John	MAT'L:				
				.X±0.30	.X'±	CHKD:	Schumi	FINISH:				
0	---	Terry	Jul,08,2015	.XX±0.20	.XX'±	DRWN:	Jason	Q'TY:				
REV	ECN NO.	NAME	DATE	.XXX±0.10	.XXX'±							





← I/O PANEL DIRECTION PRIMARY (COMPONENT) SIDE

ADD-IN CARD EDGE-FINGER DIMENSIONS



← I/O PANEL DIRECTION

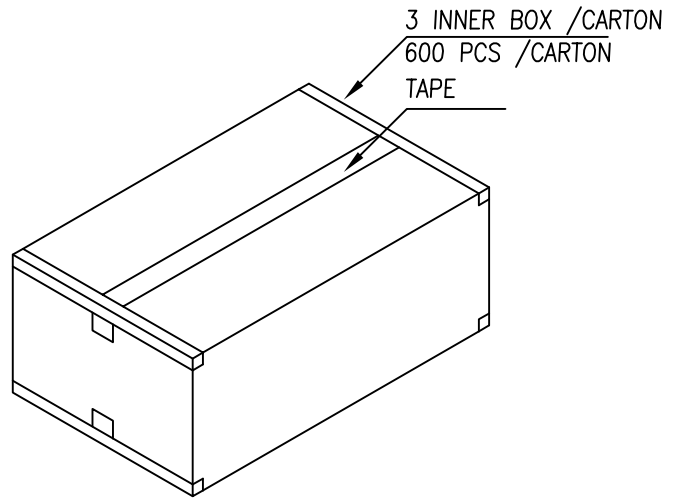
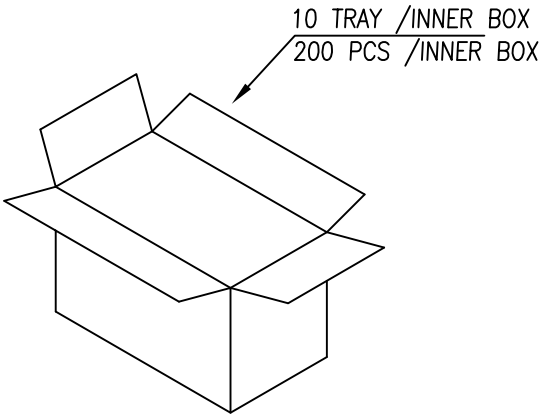
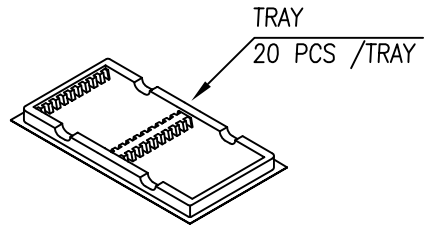
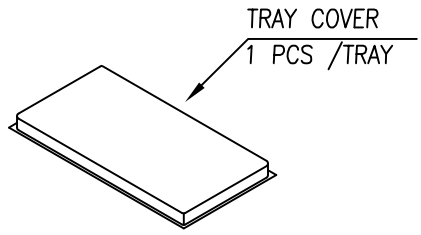
RECOMMENDED FOOTPRINT

REV	SEE SHEET 1	NAME	DATE
	ECN NO.		

TOLERANCE	
LINEAR	ANGLES
X.±0.20	X'.± 3'
.X±0.15	.X'±
.XX±0.10	.XX'±
.XXX±0.05	.XXX'±

<b>WECONN</b> 深圳市微连电子有限公司 ShenZhen Welink Electronics Co.,Ltd			TITLE: PCI EXPRESS CARD EDGE 230P			
			DWG NO. C-8129			
APPD:	John	MAT'L:				
CHKD:	Schumi	FINISH:				
DRWN:	Jason	Q'TY:				

	UNITS	SCALE	SHEET	REV
	MM	1 : 1	2 OF 3	0



NOTES:

1. TRAY COVER SIZE: 329.5mm(L)X 170mm(W)X 20mm(H).
2. TRAY SIZE: 328.5mm(L)X 170mm(W)X 20mm(H).
3. BOX SIZE: 340mm(L)X 187mm(W)X 210mm(H).
4. CARTON SIZE: 576mm(L)X 350mm(W)X 232mm(H).
5. NET WEIGHT: 8.7 Kg.
6. GROSS WEIGHT: 10.4 Kg.

SHIPPING CARTON

REV	SEE SHEET 1	NAME	DATE
	ECN NO.		

TOLERANCE	
LINEAR	ANGLES
X.±0.20	X'± 3'
.X±0.15	.X'±
.XX±0.10	.XX'±
.XXX±0.05	.XXX'±

<b>WECONN</b> ® 深圳市微连电子有限公司 ShenZhen Welink Electronics Co.,Ltd			APPD:	John	MAT'L:
			CHKD:	Schumi	FINISH:
DRWN:	Jason	Q'TY:			

TITLE:				PCI EXPRESS CARD EDGE 230P			
DWG NO.				C-8129			
UNITS	SCALE	SHEET	REV				
MM	1 : 1	3 OF 3	0				