

DIMENSIONS					
POSITION	A ±0.20	B $\pm\frac{0.20}{-0.08}$	C ±0.25	D ±0.25	E ±0.25
36	6	7.65	9.15	25.00	27.00
64	20	21.65	23.15	39.00	41.00
98	37	38.65	40.15	56.00	58.00
164	70	71.65	73.15	89.00	91.00

NOTES:

1. MATERIAL:
 - 1.1 HOUSING: THERMOPLASTIC, HIGH TEMP, UL94V-0, COLOR: BLACK.
 - 1.2 CONTACTS: COPPER ALLOY.
 - 1.3 HOLDDOWN: COPPER ALLOY.
2. FINISH:
 - 2.1 CONTACT:
 - SELECTIVE GOLD PLATING ON CONTACT AREA.
 - 100μ" MIN. MATTE TIN PLATING ON SOLDER TAILS,
 - 50μ" MIN. NICKEL UNDERPLATING OVERALL.
 - 2.2 HOLDDOWN:
 - 100μ" MIN. MATTE TIN PLATING WITH 50μ" MIN. NICKEL UNDERPLATE OVERALL.

PART NO.

8118 - 1 X X X

PCI EXPRESS Series No. _____

HSG Color _____

1: Black

Contact Plating _____

0: 30μ", Gold

1: 15μ", Gold

2: 1μ", Gold

POS. Options _____

0: 36 Pin

1: 64 Pin

2: 98 Pin

3: 164 Pin

Packing Options

T: Tray Without Cap

C: Tray With Cap

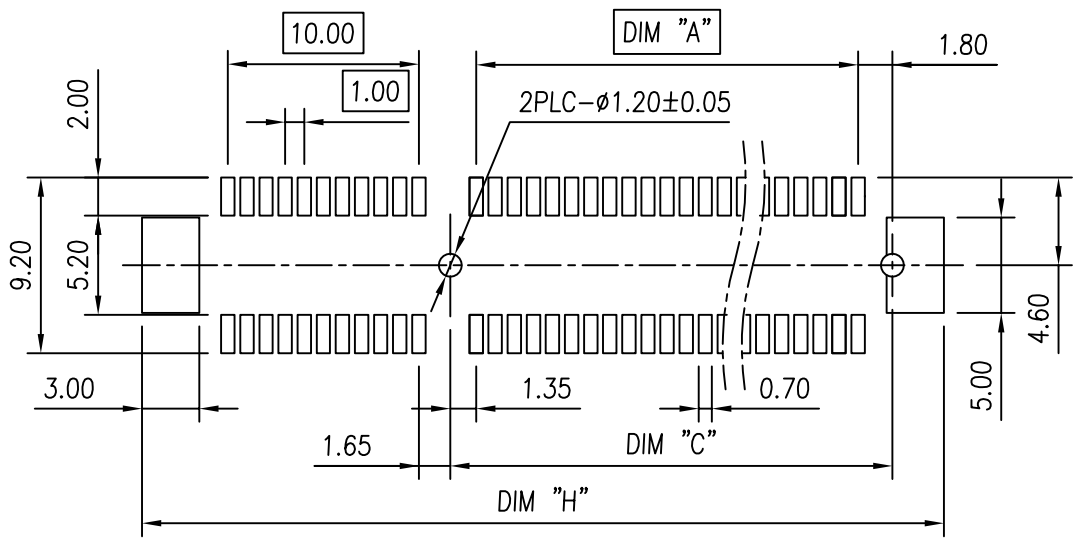
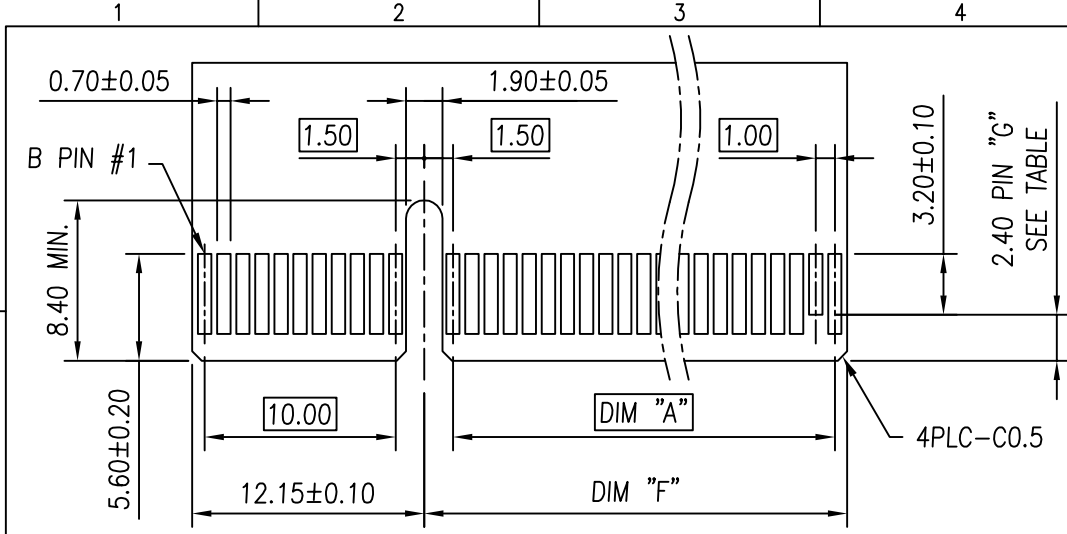
N: Tray With Mylar

R: Tape & Reel Packaging Without Cap (For 36 & 64P)

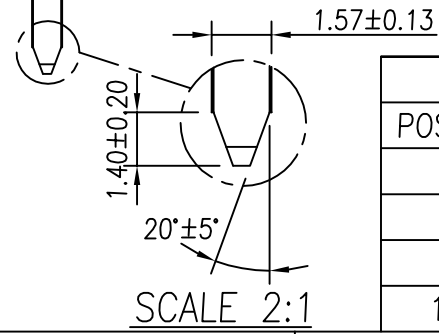
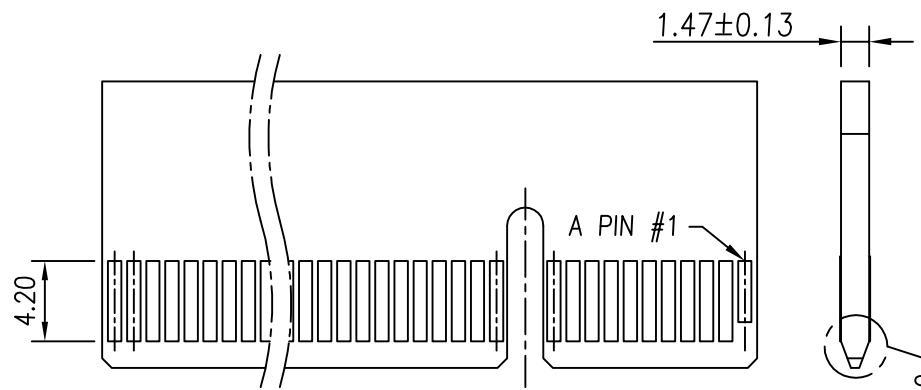
P: Tape & Reel Packaging With Cap (For 36 & 64P)

M: Tape & Reel Packaging With Mylar (For 36 & 64P)

				TOLERANCE		WECONN ® 深圳市微连电子有限公司 ShenZhen Welink Electronics Co.,Ltd		TITLE: PCI EXPRESS SMT TYPE WITH POST				
				LINEAR	ANGLES			PART NO. 8118-1XXX				
B	11059	Terry	Oct,06,2011	.X±0.30	.X'±	APPD:	Jason	MAT'L:	DWG NO. 811807001			
A	09038	Terry	Aug,13,2009	.XX±0.20	.XX'±	CHKD:	Schumi	FINISH:	UNITS	SCALE	SHEET	REV
REV	ECN NO.	NAME	DATE	.XXX±0.10	.XXX'±	DRWN:	Terry	Q'TY:	MM	1 : 1	1 OF 2	B



RECOMMENDED PCB LAYOUT, POST TYPE



DIMENSIONS					
POSITION	A ±0.10	F ±0.10	C ±0.10	G	H ±0.10
36	6	8.15	9.15	B PIN#17	28.00
64	20	22.15	23.15	B PIN#31	42.00
98	37	39.15	40.15	B PIN#48	59.00
164	70	72.15	73.15	B PIN#81	92.00

TOLERANCE				WECONN® 深圳市微连电子有限公司 ShenZhen Welink Electronics Co.,Ltd	TITLE: PCI EXPRESS SMT TYPE WITH POST								
LINEAR	ANGLES		APPD:		MAT'L:	PART NO.	8118-1XXX						
			X.±	X'.±	Jason	DWG NO.	811807001						
			.X±	.X'±	Schumi	UNITS	MM	SCALE	1 : 1	SHEET	2 OF 2	REV	B
REV	ECN NO.	NAME	DATE	.XXX±	.XXX'±	DRWN:	Terry	Q'TY:					
	See Sheet 1												