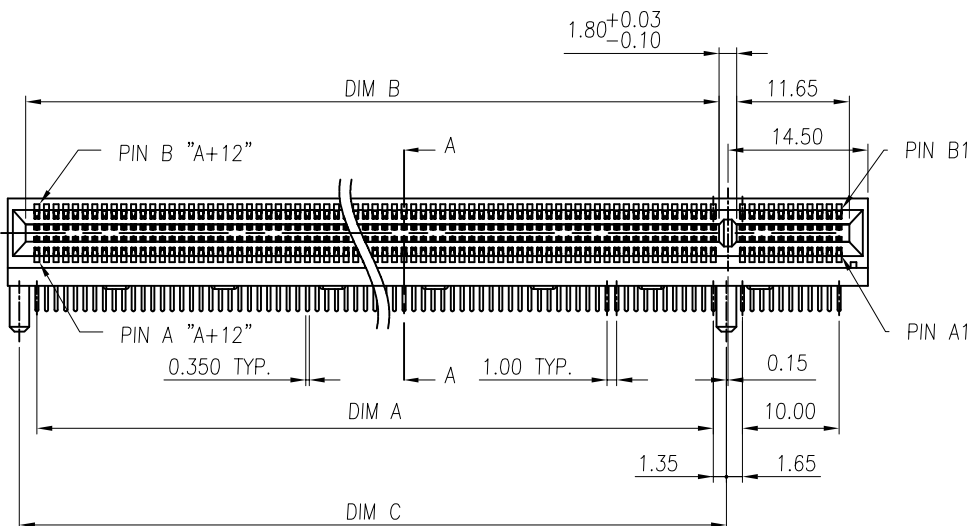
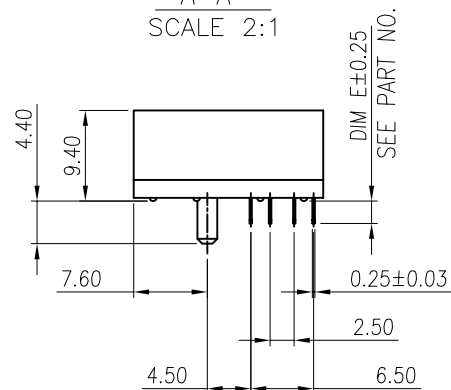


NOTES:

1. MATERIAL:
  - 1.1 INSULATION: HIGH TEMPERATURE THERMOPLASTIC, COLOR: SEE PART No..
  - 1.2 CONTACTS: COPPER ALLOY, T=0.25mm
2. FINISH:
  - 2.1 CONTACT: SELECTIVE GOLD PLATING ON THE CONTACT AREA, 100u" MIN. MATTE TIN PLATING ON THE SOLDER TAILS, 50u" MIN. NICKEL UNDERPLATING OVERALL.
3. PRODUCT SPEC: PS-3GIO-01
4. PACKAGING SPEC: 309104001



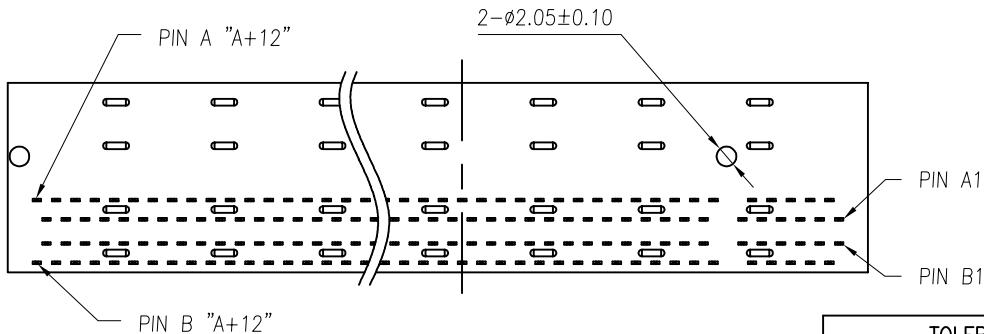
A-A SCALE 2:1



PART NO.:

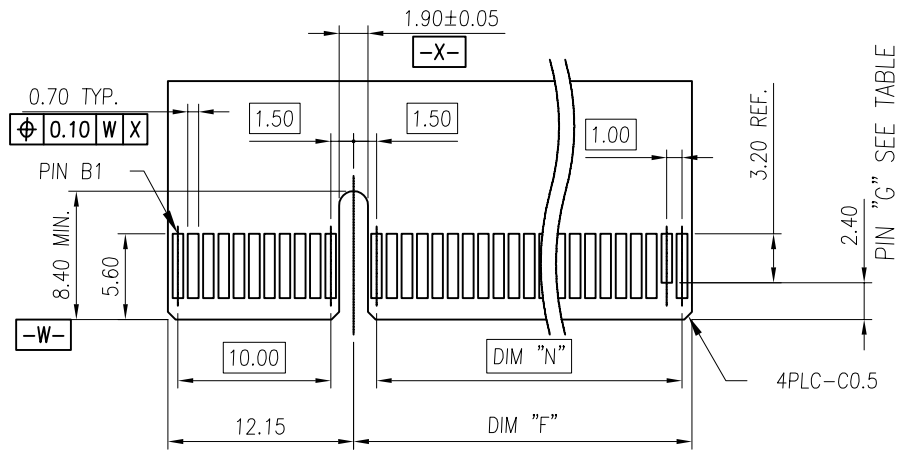
**8095 - 1 0 X X X T**

PCI EXPRESS Series No.	1	0	X	X	X	T	Packing Options
HSG Color	1	Black					No. of Pins
Peg Option	0	Post					0: 36P
							1: 64P
							2: 98P
							3: 164P
							Tail Length (DIM "E")
							0: 2.30mm
							1: 3.10mm
							2: 3.56mm
							Contact Plating
							0: 30u" Gold
							1: 15u" Gold
							2: G/F Gold



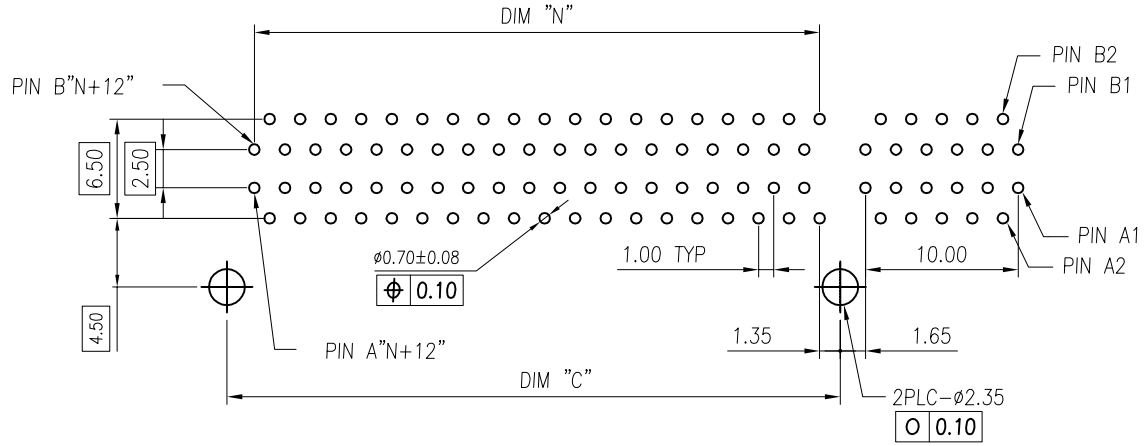
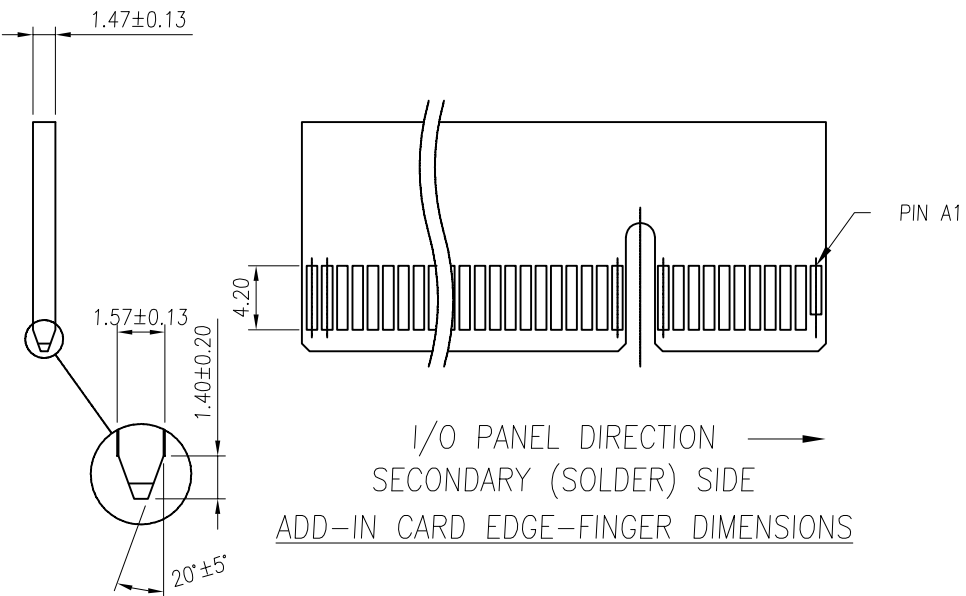
DIMENSIONS				
POSITION	A ±0.20	B ±0.20	C ±0.20	D ±0.25
36	6	7.65	9.15	25.00
64	20	21.65	23.15	39.00
98	37	38.65	40.15	56.00
164	70	71.65	73.15	89.00

				TOLERANCE		<b>WECONN</b> 深圳市微连电子有限公司 ShenZhen Welink Electronics Co.,Ltd		LE: PCI EXPRESS CARD EDGE, 1.0mm PITCH, R/A TYPE				
				LINEAR	ANGLES			PART NO. 8095-10XXXT				
C1	-----	Lei Songping	Jul,23,2022	X.±0.40	X'.±	APPD:	Jason	MAT'L:	DWG NO. 809507001			
C	14026	Terry	Nov,13,2014	.X±0.30	.X'±	CHKD:	Schumi	FINISH:	UNITS	SCALE	SHEET	REV
B	12035	Terry	Jul,05,2012	.XX±0.20	.XX'±	DRWN:	Terry	Q'TY:	MM	1 : 1	1 OF 2	C1
REV	ECN NO.	NAME	DATE	.XXX±0.10	.XXX'±							



DIMENSIONS				
POSITION	N	C	F ±0.20	G
36	6	9.15	8.15	B PIN#17
64	20	23.15	22.15	B PIN#31
98	37	40.15	39.15	B PIN#48
164	70	73.15	72.15	B PIN#81

I/O PANEL DIRECTION  
PRIMARY (COMPONENT) SIDE



RECOMMENDED PCB LAYOUT (TOP VIEW)  
TOLERANCE: ±0.05

				TOLERANCE		<b>WECONN</b> 深圳市微连电子有限公司 <b>ShenZhen Welink Electronics Co.,Ltd</b>		LE: PCI EXPRESS CARD EDGE, 1.0mm PITCH, R/A TYPE			
		LINEAR	ANGLES	PART NO. 8095-10XXXT							
		X.±	X'.±	APPD: Jason	MAT'L:	DWG NO. 809507001					
		.X±	.X'±	CHKD: Schumi	FINISH:		UNITS	SCALE	SHEET	REV	
REV	See Sheet 1	.XXX±	.XXX'±	DRWN: Terry	Q'TY:		MM	1 : 1	2 OF 2	C1	
REV	ECN NO.	NAME	DATE	.XXX±	.XXX'±	DRWN: Terry	Q'TY:	CUSTOMER			