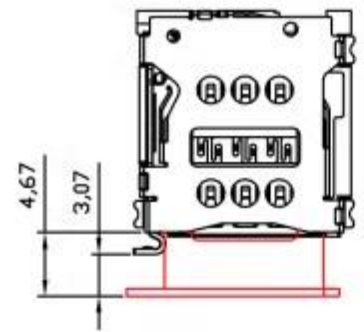
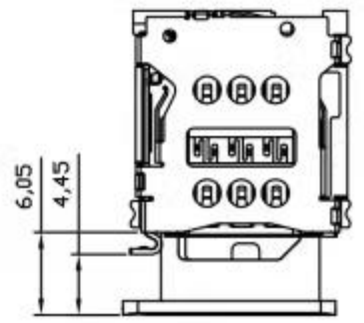


\* 所有原料材质, 生产制程, 电镀必须符合ROHS要求

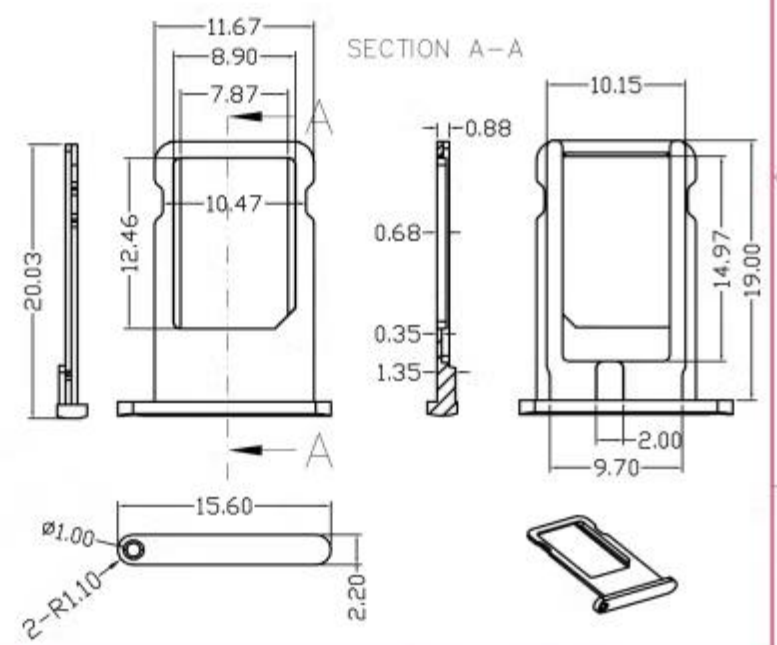
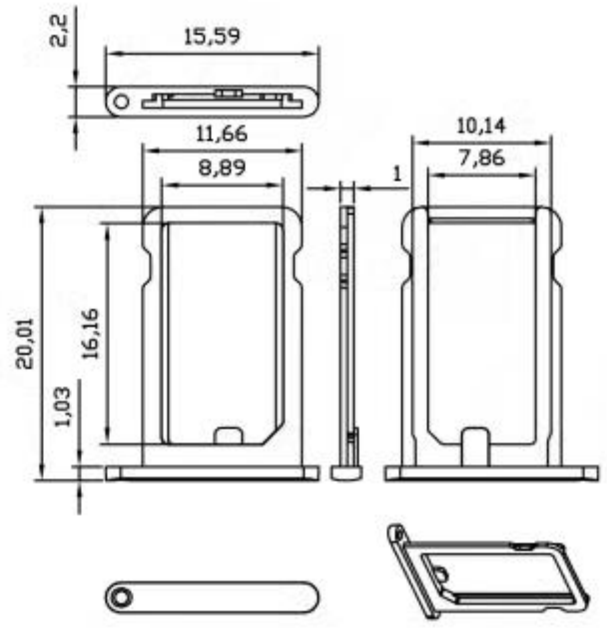
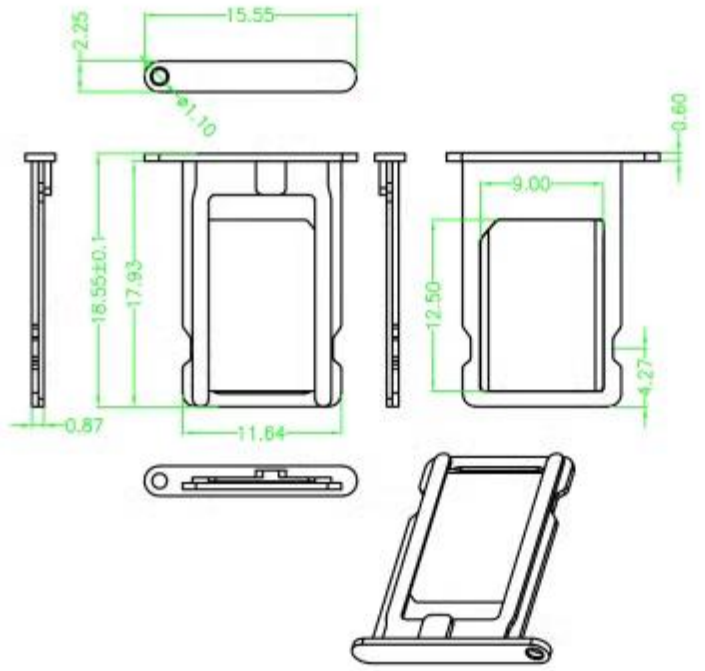
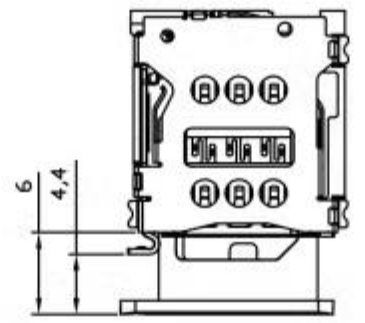
规格一配卡托相关尺寸  
(不锈钢)



规格二配卡托相关尺寸  
(不锈钢)



规格三配卡托相关尺寸  
(不锈钢)



# WECONN 深圳市微连电子有限公司

PRODUCT NAME <b>NANO-SIM 卡座PUSH 1.50H 卡托规格图</b>	DRAWING NO. <b>IP6</b>	SCALE <b>1:1</b>	DATE <b>2014/04/10</b>
PRODUCT NO. <b>NANO-0605-IP6-2</b>	APPROVAL <b>林心祥</b>	REV. NO. <b>A</b>	DATE <b>2014/04/11</b>
DIMENSIONS (UNIT) mm UNLESS OTHERWISE SPECIFIABLE		DRAWING NO. <b>IP6</b>	
DIMENSION TOLERANCE		SCALE <b>1:1</b>	
±0.10		REV. NO. <b>A</b>	
±0.10		PAGE <b>2 of 2</b>	
±0.05		C.D	
±1°			

REV. NO.	REV. DATE	DESCRIPTION	DATE