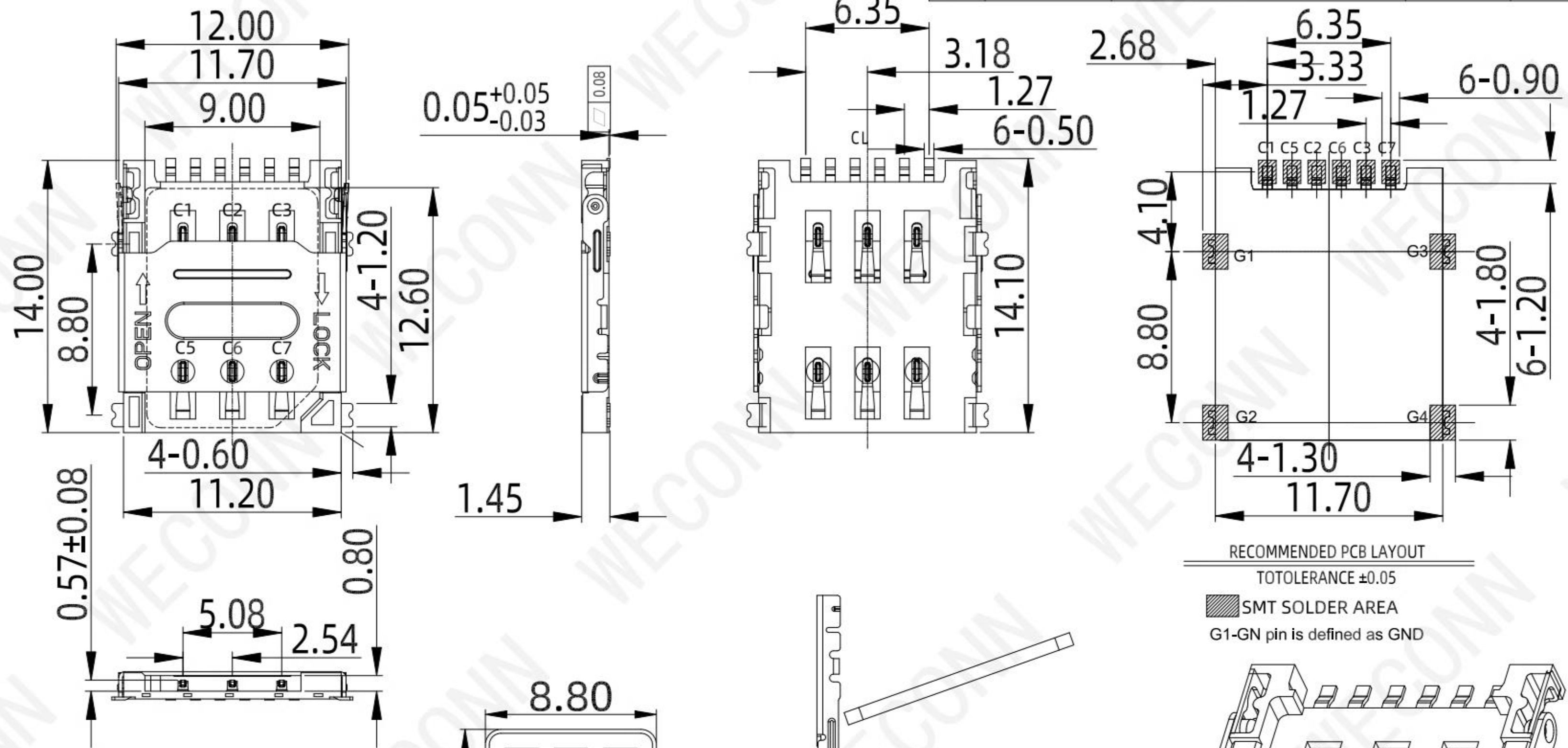


RoHS

| REV. | EC# | DESCRIPTION | DATE       | DRAWING | CHECKED | APPROVED |
|------|-----|-------------|------------|---------|---------|----------|
| A0   |     | NEW RELEASE | 2019.07.02 | Michael | Mark    | Cornelia |



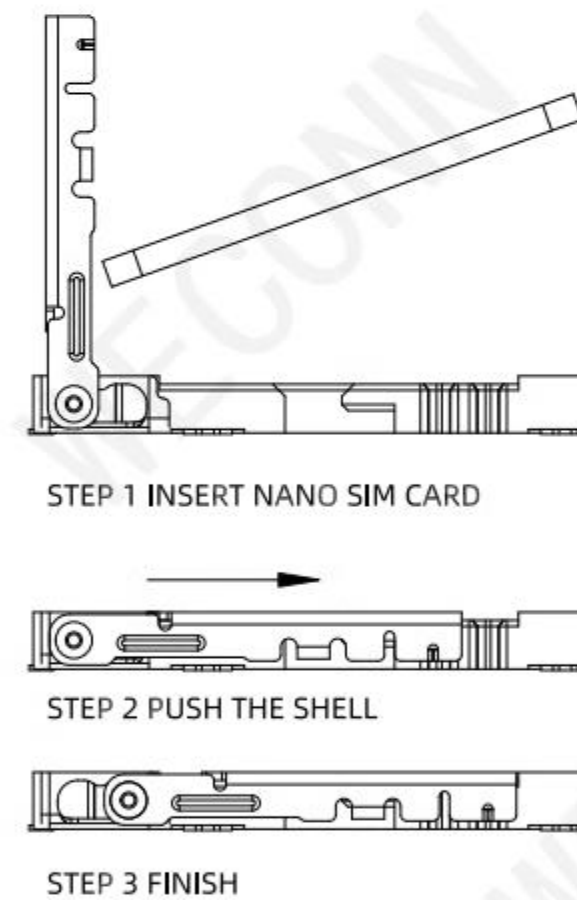
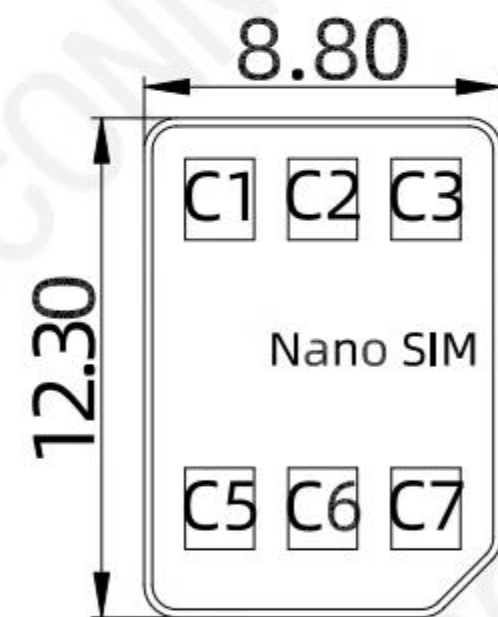
NOTES:

1. MATERIAL:

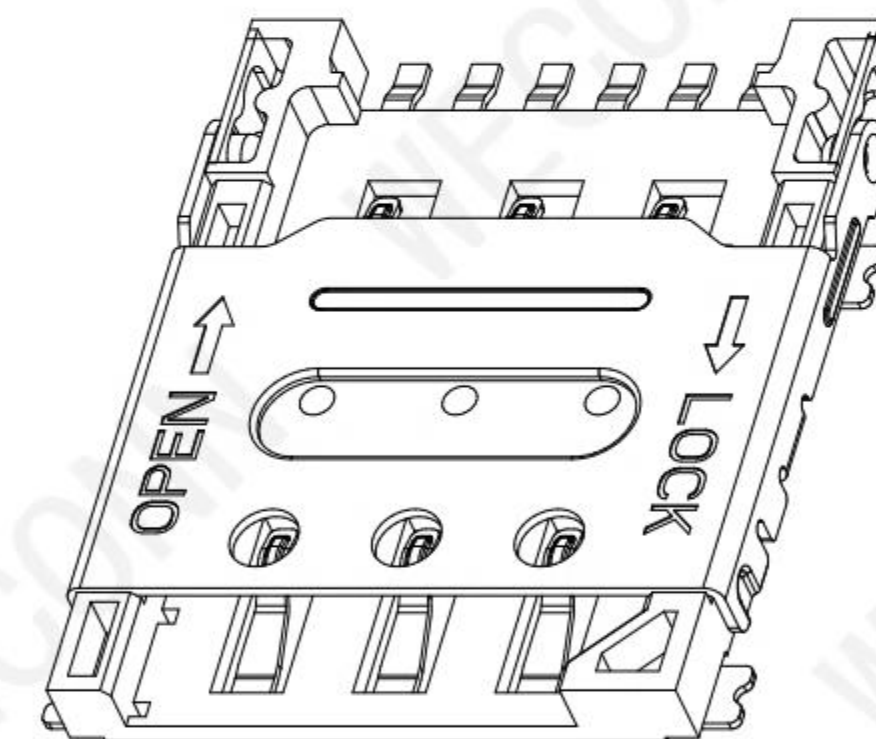
- 1.1 Housing: High Temperature Thermoplastic UL94V-0; Color Black.
- 1.2 Terminal: Copper Alloy.
- 1.3 Shell: Stainless Steel.

2. SPECIALITY:

- 2.1 Rated current: 1.0A
- 2.2 Rated voltage: 50V
- 2.3 Contact Resistance: 50mΩ MAX
- 2.4 Insulation Resistance: 1000MΩ MIN 500V DC
- 2.5 Dielectric withstanding voltage: 500V AC.
- 2.6 Solder ability: 255±5°C, 5±0.5s.
- 2.7 Durability: 5000 Cycles Min.
- 2.8 Operating condition: Temperature -40°C ~ +85°C; Humidity 80% R.H MAX



RECOMMENDED PCB LAYOUT  
TOLERANCE ±0.05  
SMT SOLDER AREA  
G1-GN pin is defined as GND



PLEASE CONTACT WELINK SALES REPRESENTATIVE TO VERIFY PRODUCT DETAILS & AVAILABILITY

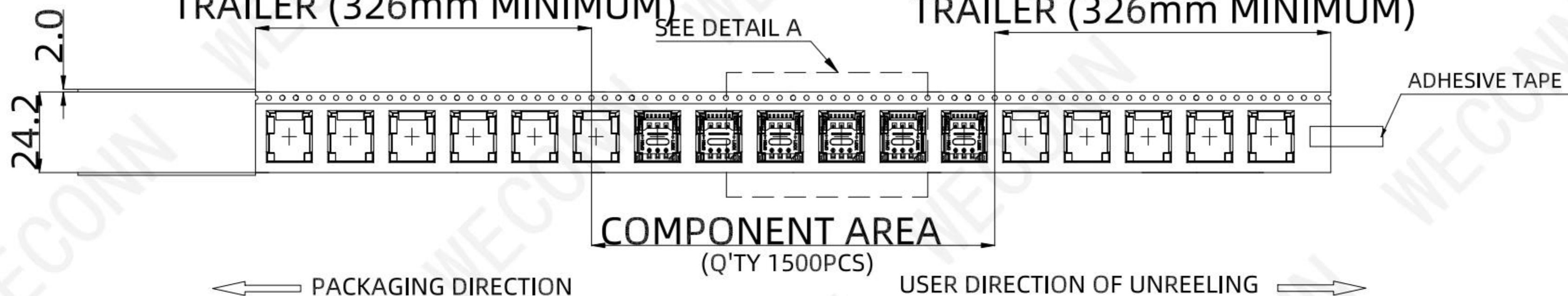
| PIN NO. | PIN NAME | MILLIMETERS   | INCH         | UNITS     | MM        | WECONN® 深圳市微连电子有限公司<br>ShenZhen Welink Electronics Co.,Ltd |                   |          |     |         |
|---------|----------|---|--------------|-----------|-----------|--|-------------------|----------|-----|---------|
|         |          | X.° ± 0.2   | X.° ± 5°     |           |           | MAT'L  | PART NUMBER:      | TITLE:   |     |         |
| C1      | VCC      | .X ± 0.15   | .XX ± 2°     | SEE NOTES |           | WL-SIM145-NA15   | NANO SIM卡座 翻盖式 6P |          |     |         |
| C2      | RST      | .XX ± 0.1   | .XXX ± 1°    | SEE NOTES |           |  |                   |          |     |         |
| C3      | CLK      | .XXX ± 0.01   | .XXXX ± 0.5° | SEE NOTES |           |  |                   |          |     |         |
| C5      | GND      | THESE DRAWINGS AND SPECIFICATION ARE Welink ShenZhen Welink Electronics Co.,Ltd COPIED OR USED IN ANY MANNER WITHOUT Welink ShenZhen Welink Electronics Co.,Ltd |              |           | QTY       | DWG NO.:   | APPD:             | Cornelia |     |         |
| C6      | VPP      |   |              |           | SEE NOTES | WL-SIM145-NA15   | CHKD:             | Mark     |     |         |
| C7      | I/O      |   |              |           |           | SCALE  | SHEET             | REV.     |     |         |
|         |          |   |              |           |           | 1:1  | 1/2               | A1       | DR: | Michael |

RoHS

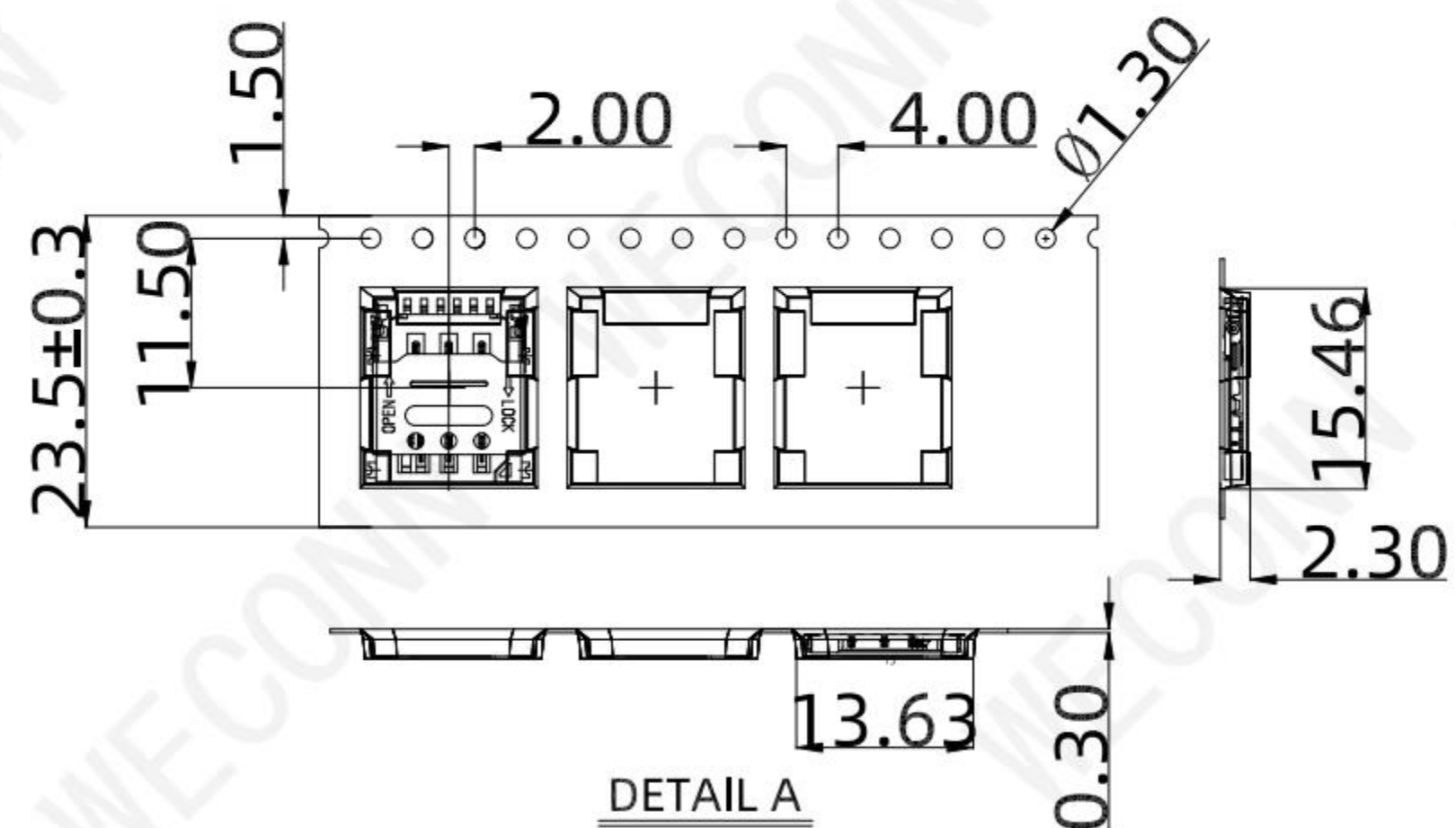
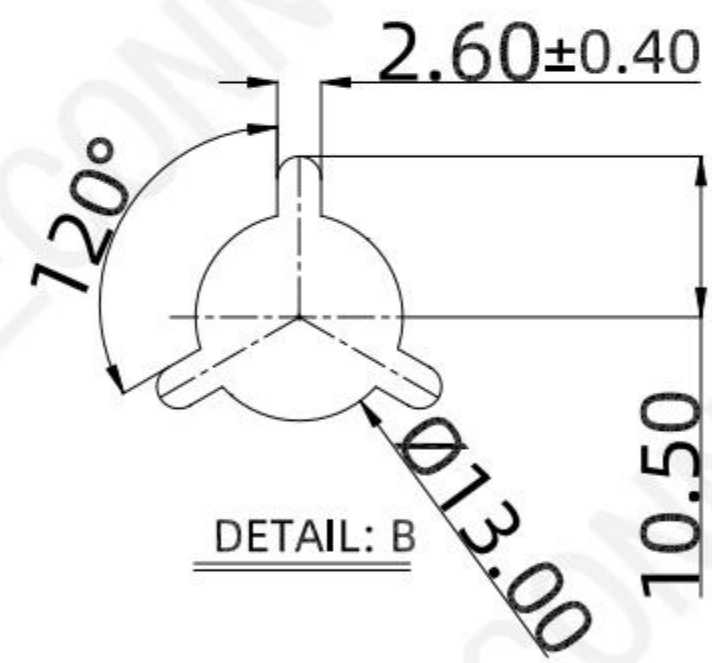
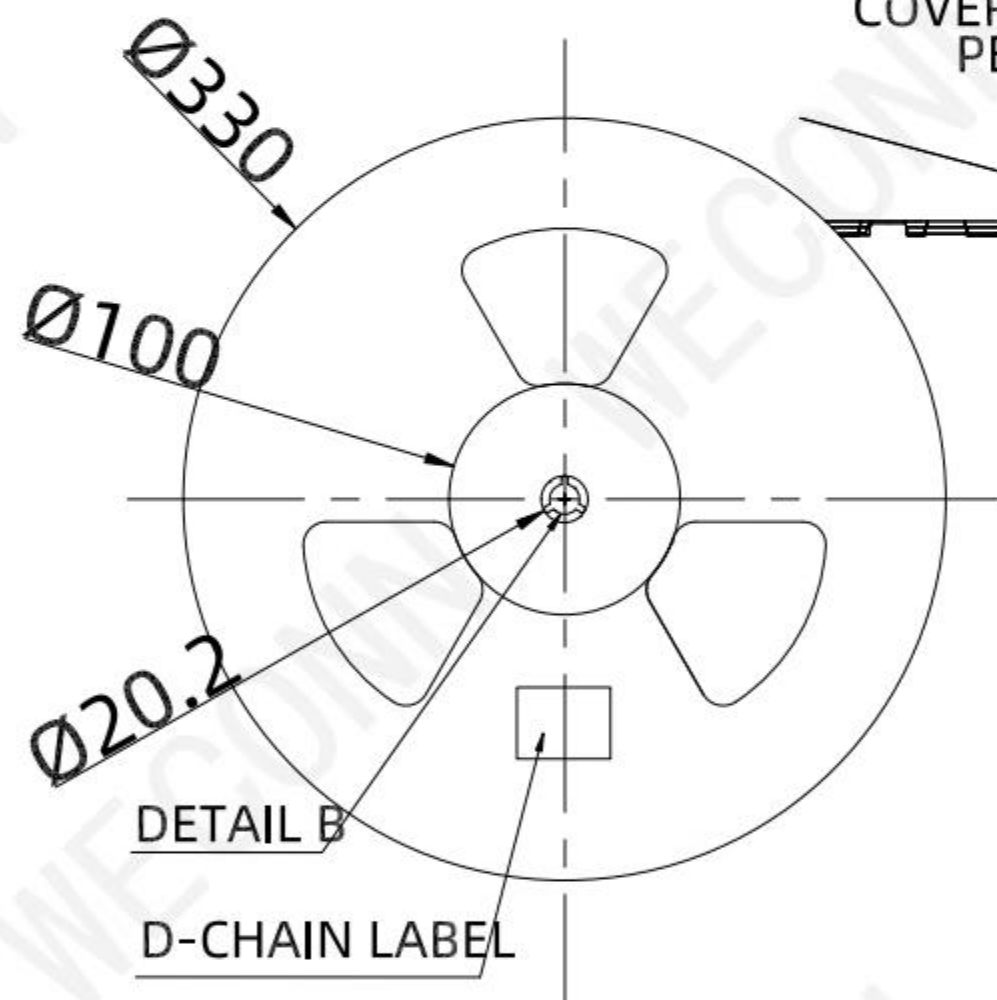
| REV. | EC# | DESCRIPTION | DATE       | DRAWING | CHECKED | APPROVED |
|------|-----|-------------|------------|---------|---------|----------|
| A0   |     | NEW RELEASE | 2019.07.02 | Michael | Mark    | Cornelia |

21 EMPTY CARRIER TAPE TRAILER (326mm MINIMUM)

21 EMPTY CARRIER TAPE TRAILER (326mm MINIMUM)



COVER TAPE PEELING ANGLE: 165°~180°  
PEELING FORCE: 20~130g



| MILLIMETERS   | INCH         | UNITS               | WECONN® 深圳市微连电子有限公司<br>ShenZhen Welink Electronics Co.,Ltd |       |                             |          |
|---|--------------|---------------------|--|-------|-----------------------------|----------|
| X.° ± 0.2   | X.° ± 5°     | MM                  | PART NUMBER:<br>WL-SIM145-NA15                             |       | TITLE:<br>NANO SIM卡座 翻盖式 6P |          |
| .X ± 0.15   | .XX ± 2°     | MAT'L<br>SEE NOTES  | DWG NO.:<br>WL-SIM145-NA15                                 |       | APPD:                       | Cornelia |
| .XX ± 0.1   | .XXX ± 1°    | FINISH<br>SEE NOTES | SCALE  | SHEET | CHKD:                       | Mark     |
| .XXX± 0.01  | .XXXX ± 0.5° | QTY<br>SEE NOTES    | 1:1  | 2/2   | DR:                         | Michael  |
| THESE DRAWINGS AND PECIFICATION ARE Welink<br>ShenZhen Welink Electronics Co.,Ltd<br>COPIED OR USED IN ANY MANNER WITHOUT Welink<br>ShenZhen Welink Electronics Co.,Ltd |              |                     |  |       |                             |          |

| ITEM | PRODUCT No. | Q'TY/REEL | REEL/CARTON | Kg/CARTON | Q'TY/CARTON | CARTON SIZE |
|------|-------------|-----------|-------------|-----------|-------------|-------------|
| 1    |             | 1500      | 11          | XX        | 16500       | 350X350X350 |