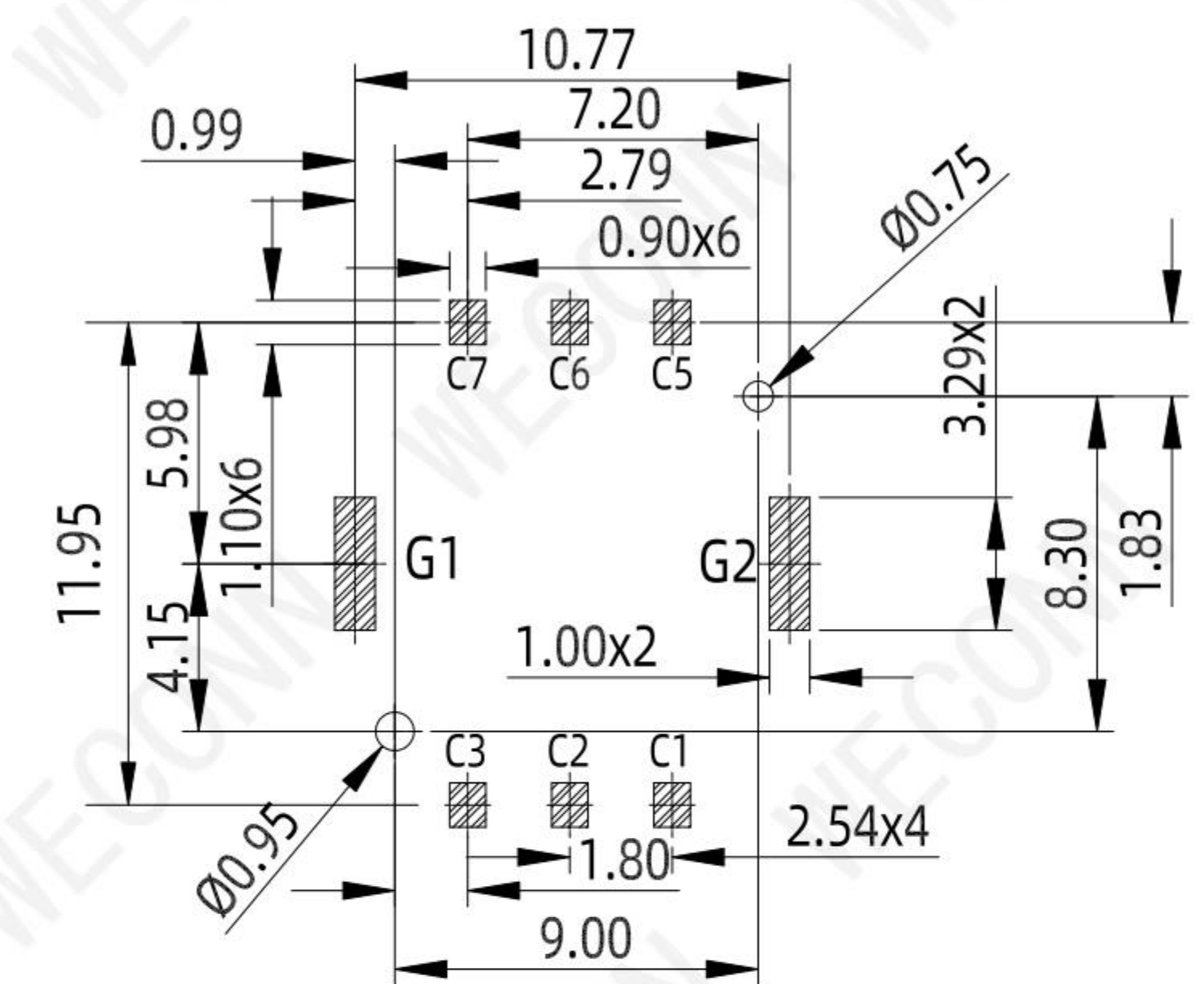
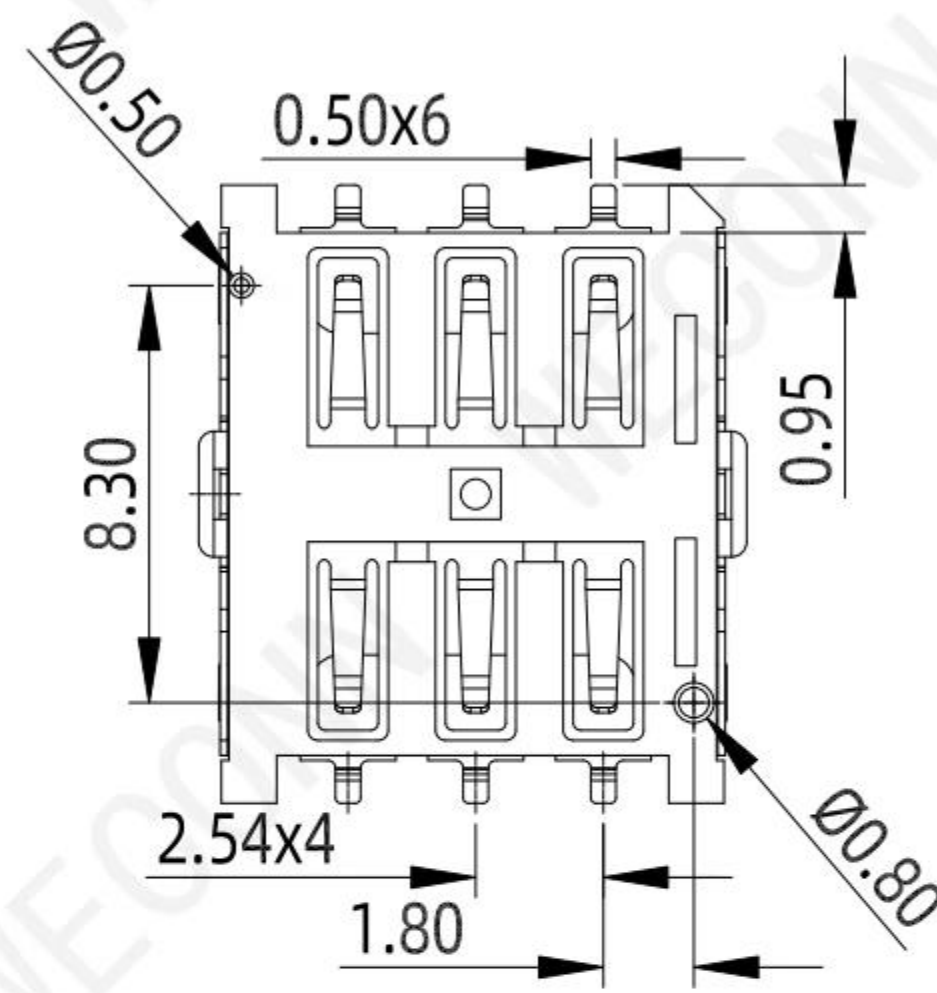
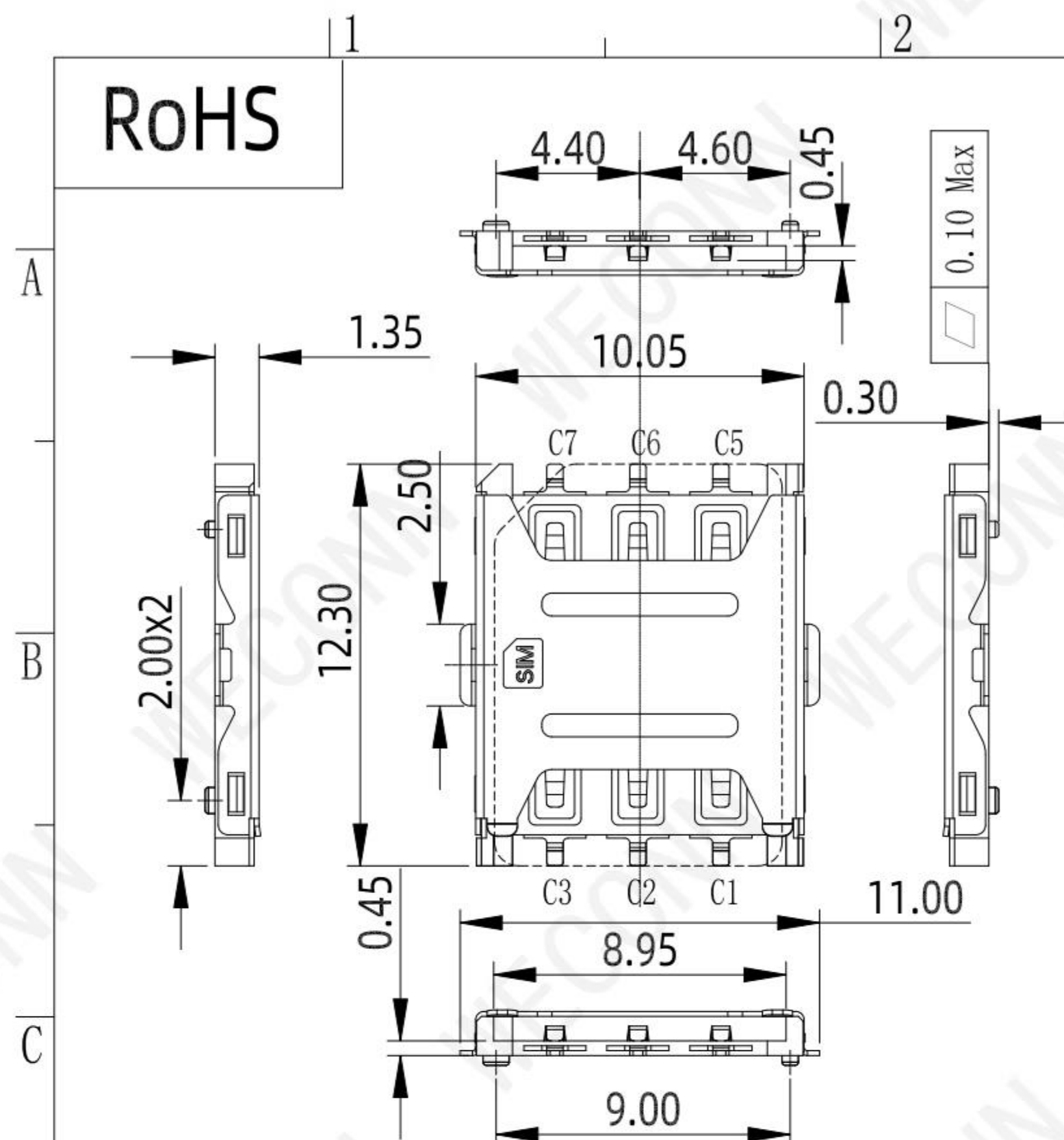


REV.	EC#	DESCRIPTION	DATE	DRAWING	CHECKED	APPROVED
A0		NEW RELEASE	2020.02.27	Michael	Mark	Cornelia



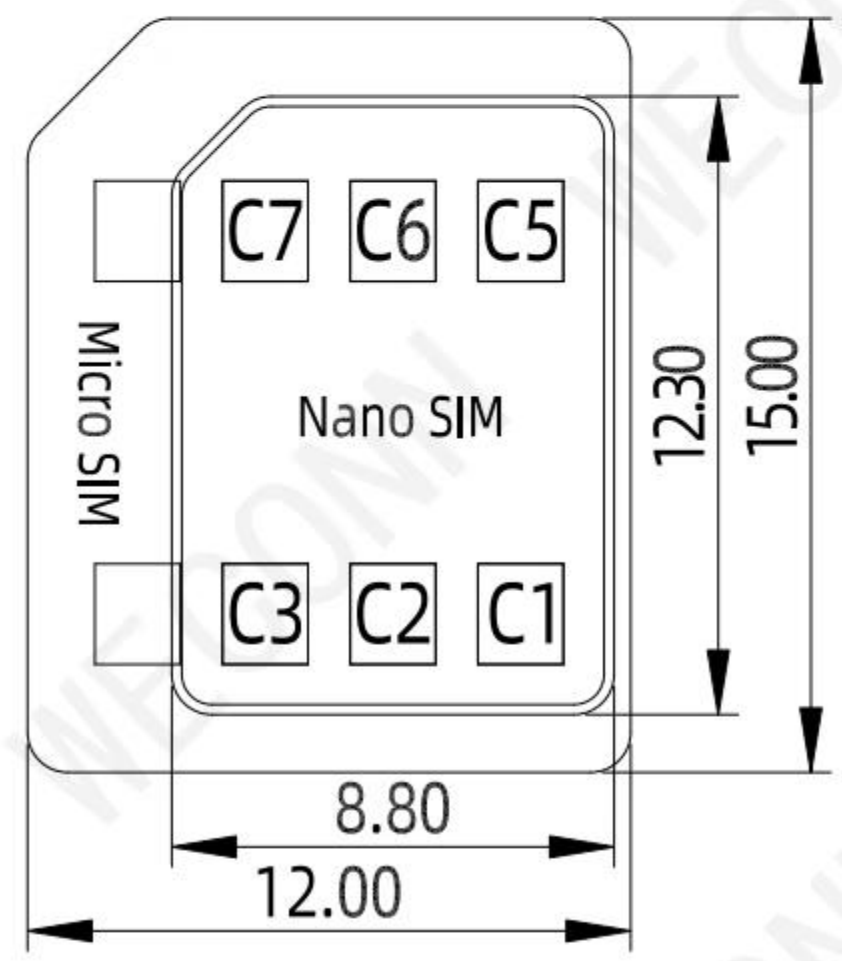
RECOMMENDED PCB LAYOUT
G1-GN pin is defined as GND

NOTES:

1. MATERIAL:
 - 1.1 Insulator: High Temperature Thermoplastic, UL94V-0; Color Black.
 - 1.2 Terminal: Copper Alloy.
 - 1.3 Shell: Stainless Steel.
2. PLATING:
 - 2.1 Contact: Plated 50u" Ni Overall Contact Au 1u",
 - 2.2 Shell: Plated 50u" Ni Overall, PAD Au 1u"

3. SPECIALITY:

- 2.1 Current Rating :0.5mA AC/DC max.
- 2.2 Voltage Rating :125V AC/DC
- 2.3 Ambient Temperature Range :-20°C~+60°C
- 2.4 Storage Temperature Range :-40°C~+70°C
- 2.5 Ambient Humidity Range :95% R.H. Max.
- 2.6 Contact Resistance:100mΩ max.
- 2.7 Insulation Resistance:1000MΩ min./500VDC
- 2.8 Mating Cycles:10,000 Insertions
- 2.9 Reflow peak temp.: 260°C±5°C, 3~5 S
- 2.10 Mating Cycles:3,000 Insertions Min

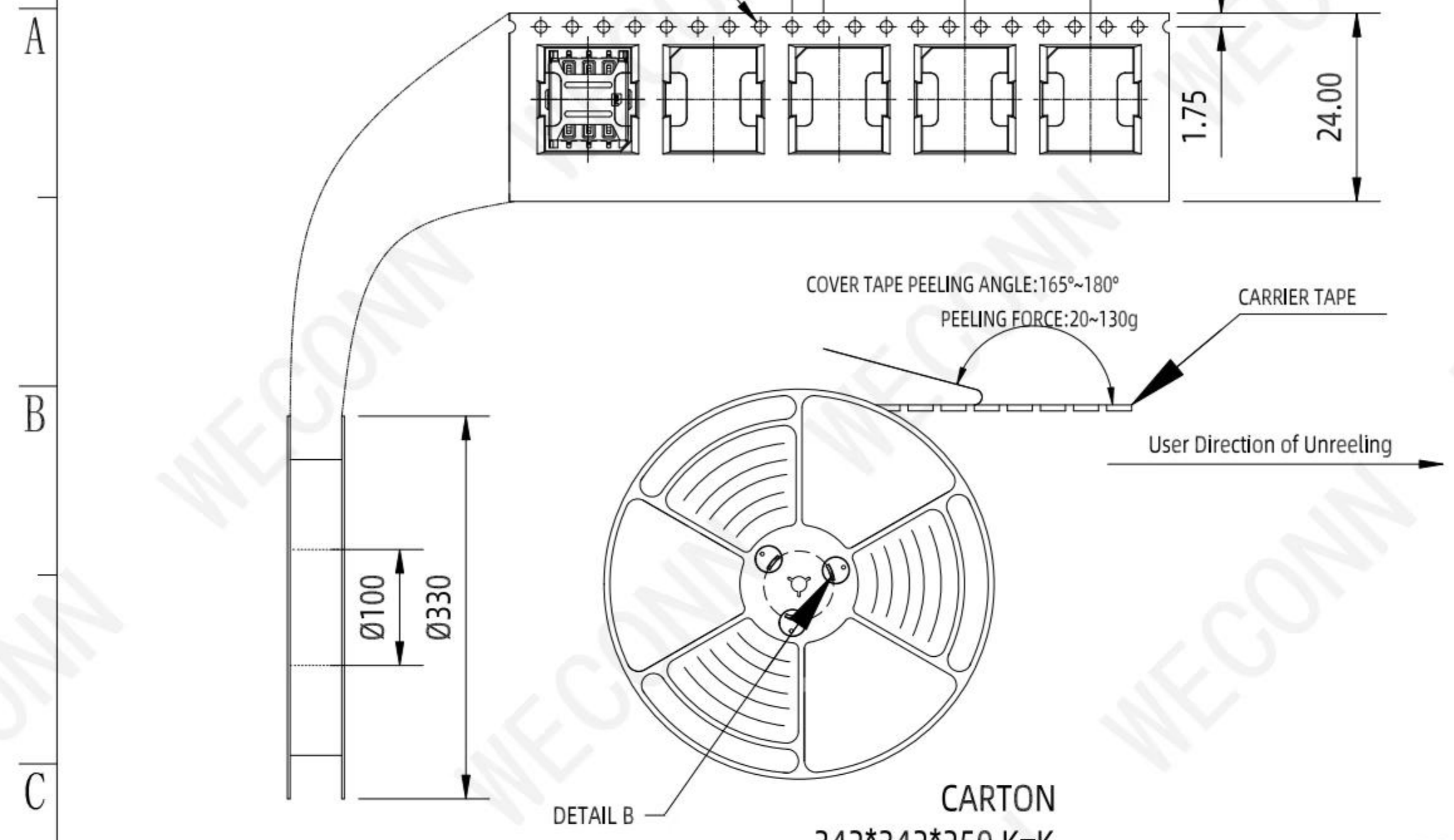


PLEASE CONTACT WELINK SALES REPRESENTATIVE TO VERIFY PRODUCT DETAILS & AVAILABILITY

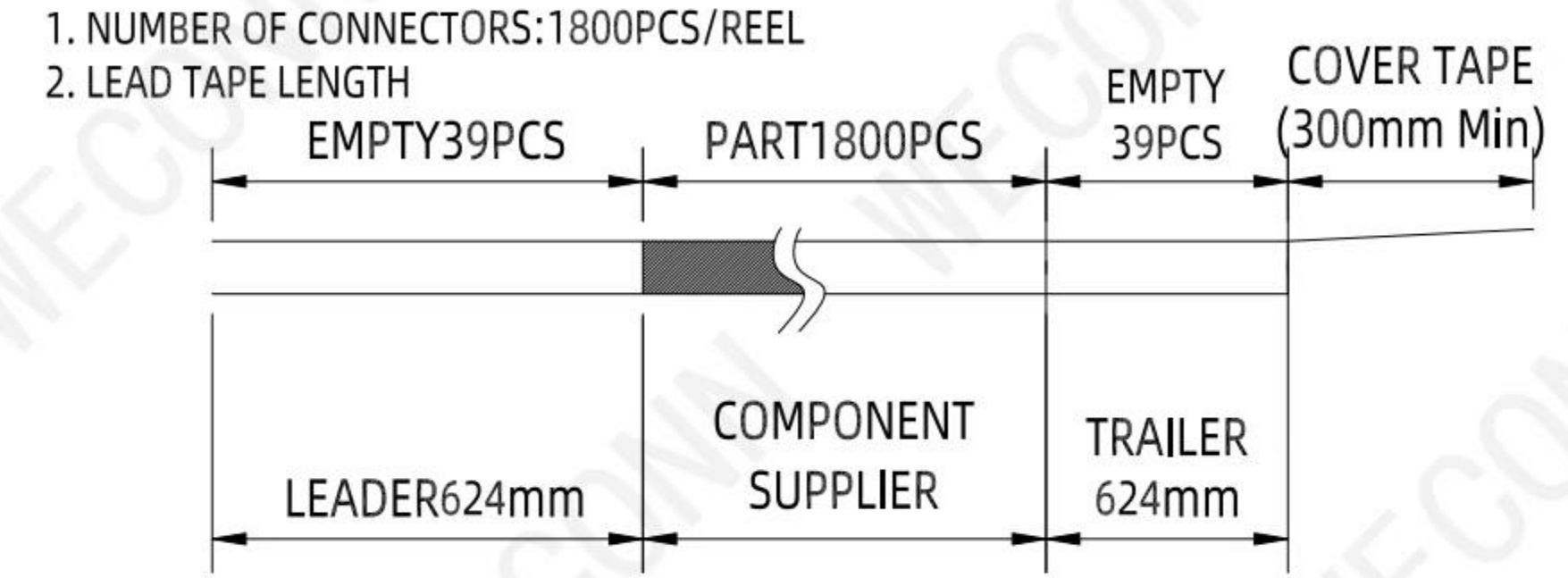
SIM pin assignment		MILLIMETERS	INCH	UNITS	WECONN® 深圳市微连电子有限公司 ShenZhen Welink Electronics Co.,Ltd		
PIN#	Name	x.° ± 2°	x.° ± 2°	MM	PART NUMBER:		TITLE:
C1	VCC Supply voltage	.X ±0.30	.XX ±0.012	SEE NOTES	WL-SIM135-NA1		NANO SIM 卡座 插拔式 6P 带定位柱
C2	RST Reset	.XX ±0.20	.XXX ±0.008		FINISH	DWG NO. : WL-SIM135-NA1	
C3	CLK clock	.XXX ± 0.10	.XXXX ± 0.004	SEE NOTES	SCALE		CHKD: Mark
C5	GND Grounded	THESE DRAWINGS AND PECIFICATION ARE Welink ShenZhen Welink Electronics Co.,Ltd COPIED OR USED IN ANY MANNER WITHOUT Welink ShenZhen Welink Electronics Co.,Ltd			SHEET	REV.	DR: Michael
C6	VPP Program voltage						1:1
C7	I/O input Output						

RoHS

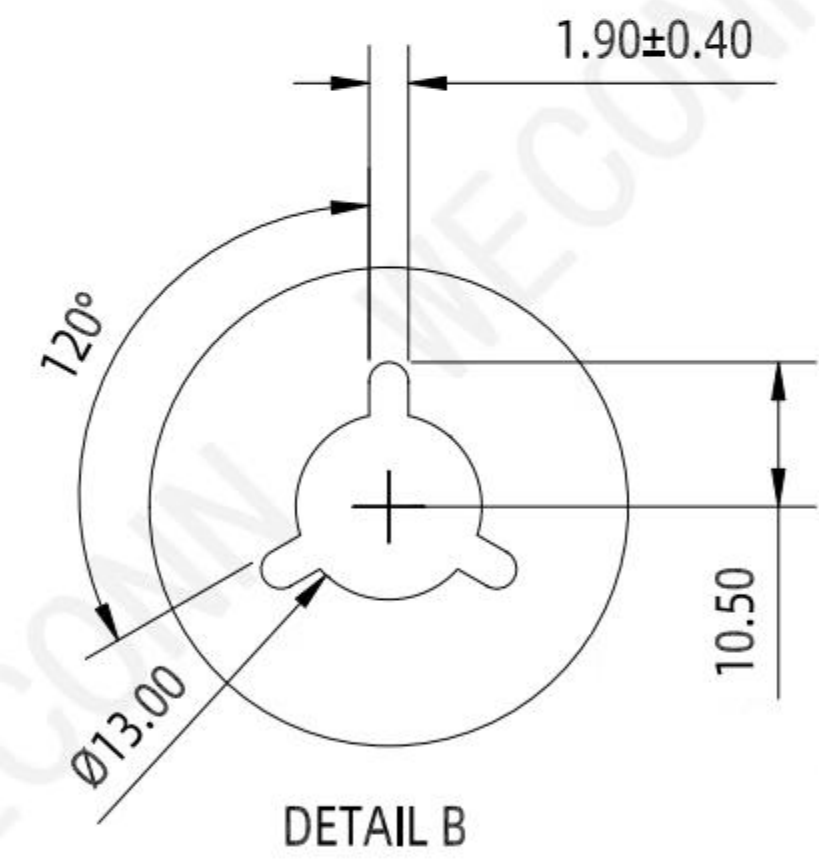
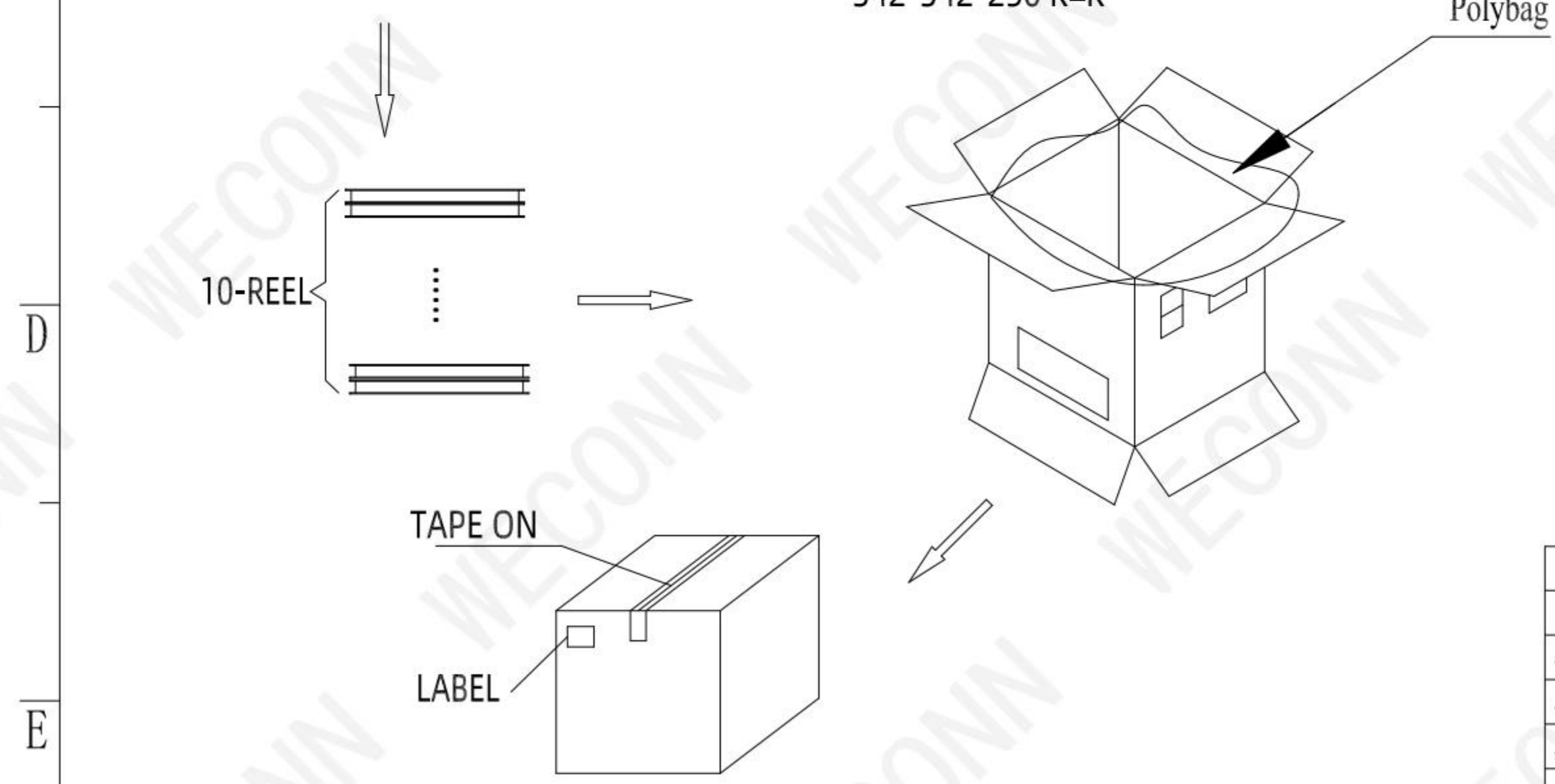
REV.	EC#	DESCRIPTION	DATE	DRAWING	CHECKED	APPROVED
A0		NEW RELEASE	2020.02.27	Michael	Mark	Cornelia



NOTES



- 3. QUANTITY: 18000PCS/CARTON
- 4. WEIGHT :
 - 3.1 NET WEIGHT : Kg
 - 3.2 GROSS WEIGHT : Kg



MILLIMETERS	INCH	UNITS	WECONN® 深圳市微连电子有限公司 ShenZhen Welink Electronics Co.,Ltd			
X.° ± 2°	X.° ± 2°	MM	PART NUMBER: WL-SIM135-NA1		TITLE: NANO SIM 卡座 插拔式 6P 带定位柱	
.X ± 0.30	.XX ± 0.012	MAT'L SEE NOTES	DWG NO. : WL-SIM135-NA1		APPD:	Cornelia
.XX ± 0.20	.XXX ± 0.008	FINISH SEE NOTES	SCALE	SHEET	REV.	CHKD: Mark
.XXX ± 0.10	.XXXX ± 0.004	QTY SEE NOTES	1:1	2/2	AI	DR: Michael
THESE DRAWINGS AND SPECIFICATION ARE Welink ShenZhen Welink Electronics Co.,Ltd COPIED OR USED IN ANY MANNER WITHOUT Welink ShenZhen Welink Electronics Co.,Ltd						