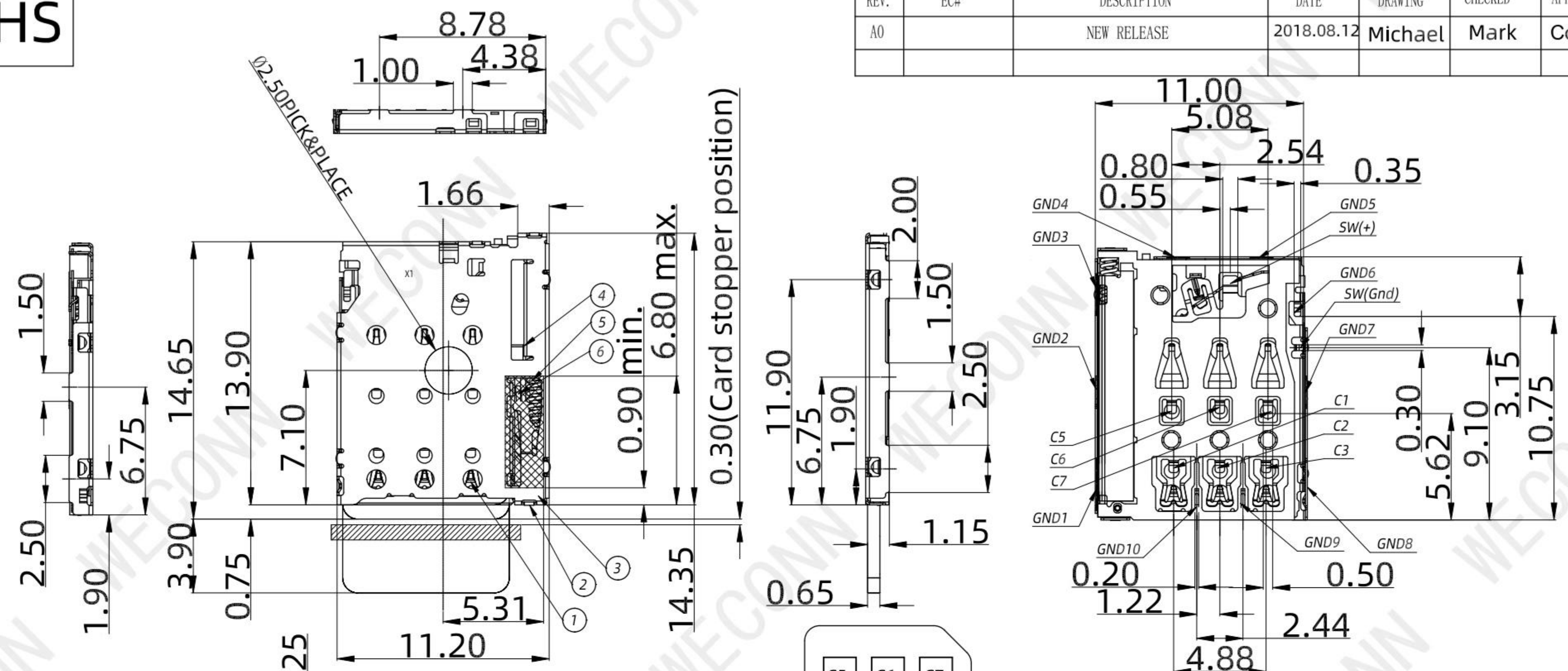


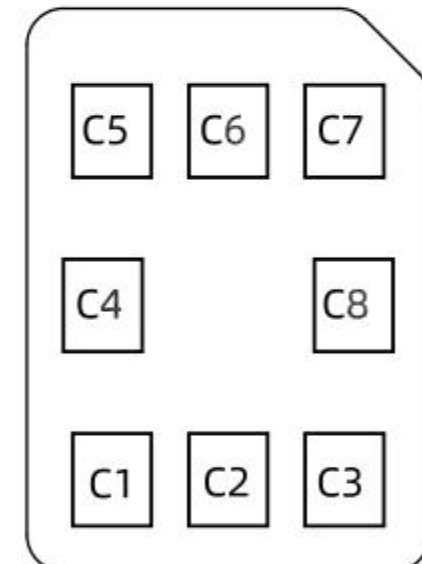
RoHS

REV.	EC#	DESCRIPTION	DATE	DRAWING	CHECKED	APPROVED
AO		NEW RELEASE	2018.08.12	Michael	Mark	Cornelia



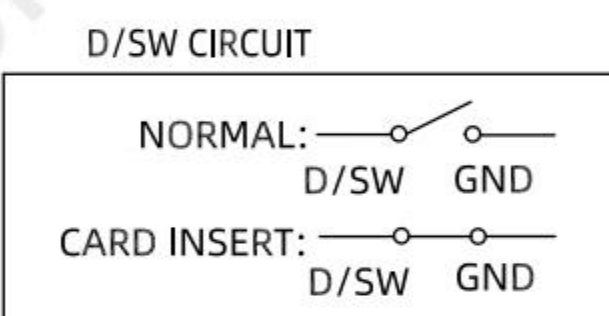
NOTES:

- MATERIAL:
 - Housing: High Temperature Thermoplastic UL94V-0; Color Black.
 - Terminal: Copper Alloy.
 - Shell: Stainless Steel.
- SPECIALITY:
 - Rated current: 0.5A
 - Rated voltage: 30V
 - Contact Resistance: 100mΩ MAX
 - Insulation Resistance: 100MΩ MIN 500V DC
 - Dielectric withstanding voltage: 100V AC.
 - Solder ability: 255±5°C, 10±0.5s.
 - Durability: 5000 Cycles Min.
 - Insertion Force: 10N MAX
 - Withdrawal Force: 0.5N MIN
 - Operating condition: Temperature -40°C ~ +85°C; Humidity 80% R.H MAX



SIM Card Pin Assignments

PLEASE CONTACT WELINK SALES REPRESENTATIVE TO VERIFY PRODUCT DETAILS & AVAILABILITY

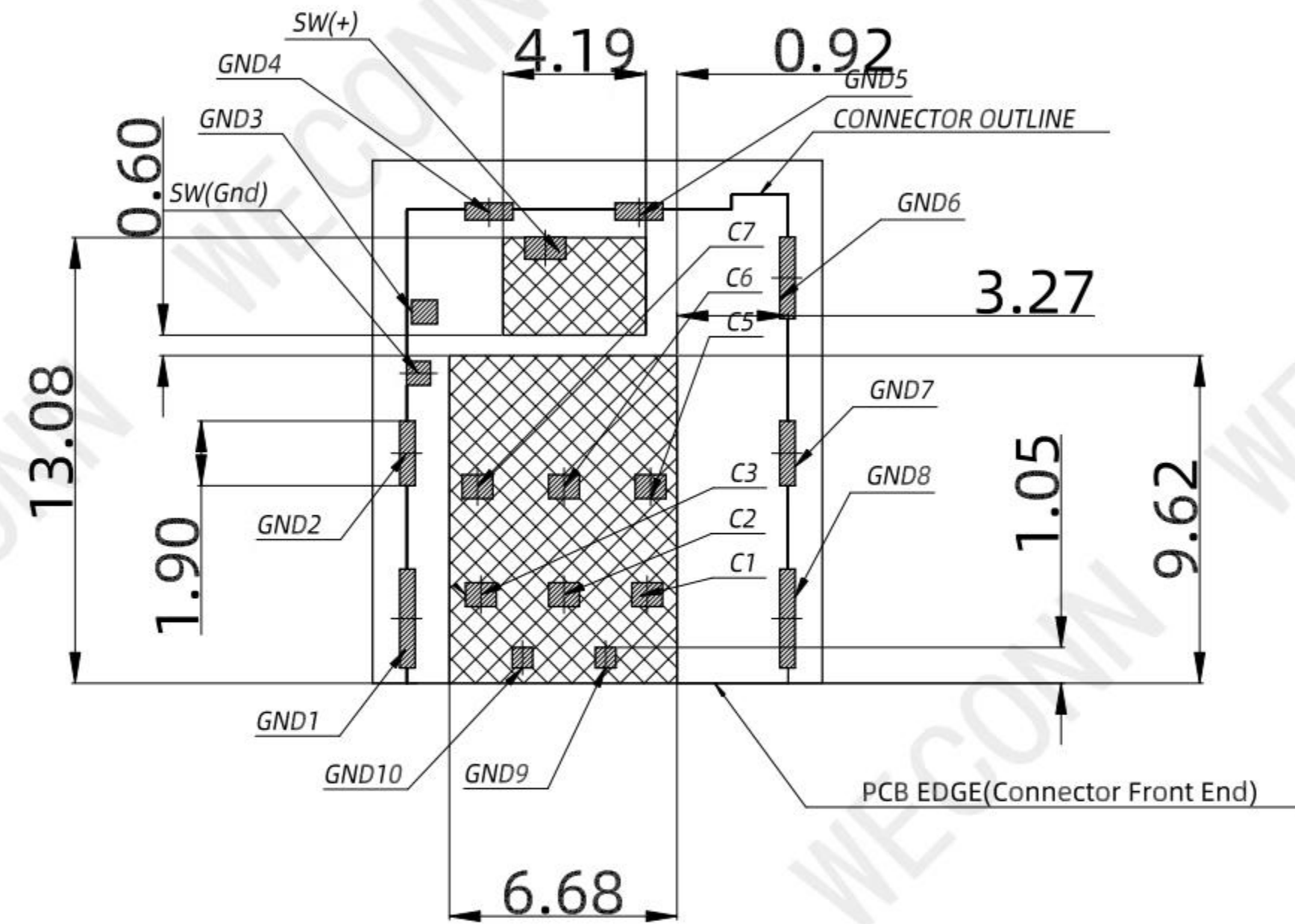
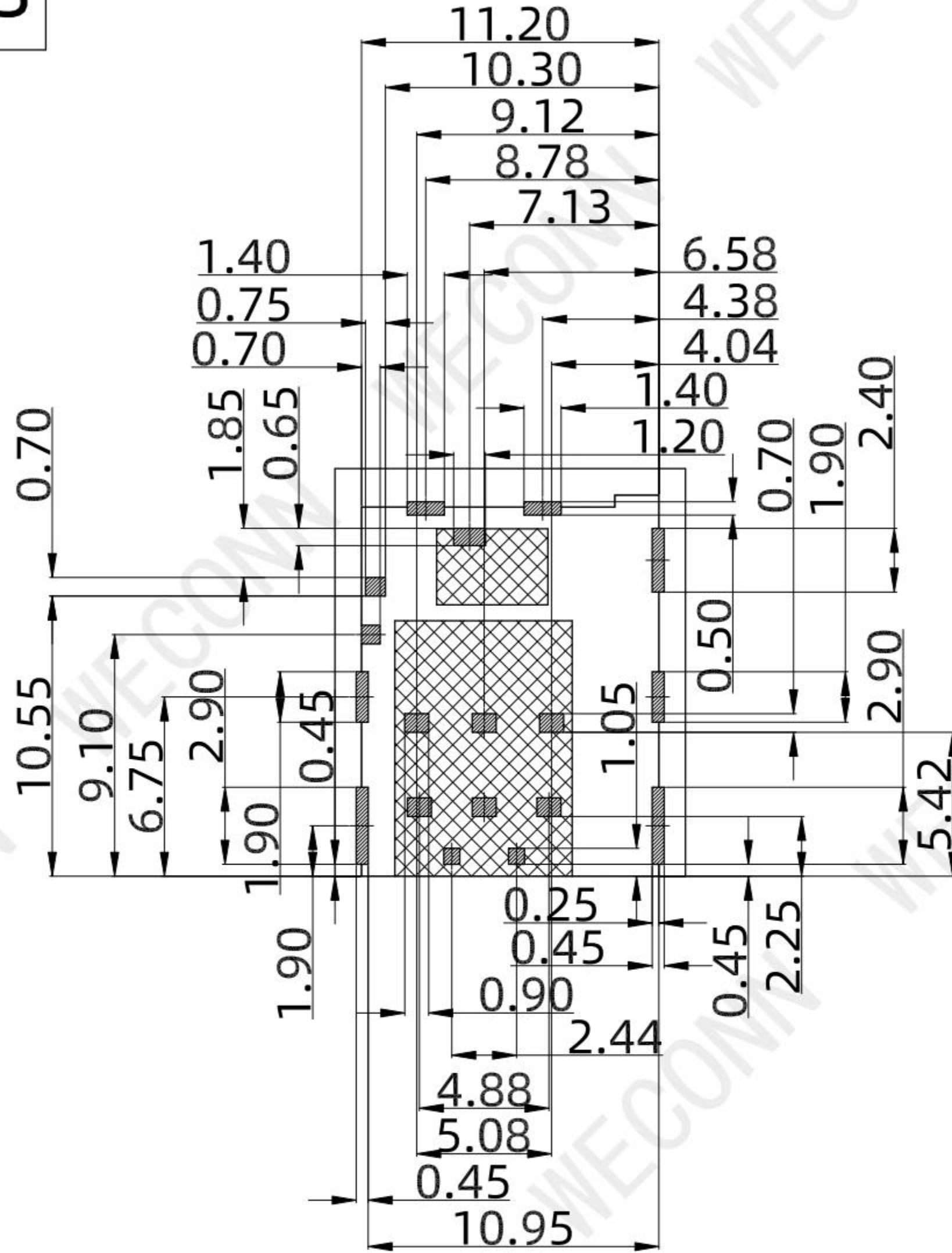


6	HOOK	1	STAINLESS STEEL	
5	SPRING	1	SWP-B	Ni:30u"min
4	SLIDER	1	GLASS FILLED LCP	
3	SHELL	1	STAINLESS STEEL	Solder plating gold flash
2	HOUSING	1	GLASS FILLED LCP	
1	CONTACT	1	COPPER ALLOY	Contact gold flash plating ; solder plating gold flash
NO.	DESCRIPTION	QTY.	Material	Color/plating

MILLIMETERS		INCH		UNITS		WECONN® 深圳市微连电子有限公司	
X.° ± 2°		X.° ± 2°		MM		ShenZhen Welink Electronics Co.,Ltd	
PIN	Name	.X ± 0.30	.XX ± 0.012	MATERIAL		PART NUMBER:	
C1	Vcc	.XX ± 0.20	.XXX ± 0.008	SEE NOTES		WL-SIM125-112	
C2	RST	.XXX ± 0.10	.XXXX ± 0.004	FINISH		TITLE:	
C3	CLK			SEE NOTES		NANO SIM卡座 自弹式 带开关 1.25H	
C4	Reserved			QTY		DWG NO.:	
C5	GND			SEE NOTES		WL-SIM125-112	
C6	Vpp			SCALE		APPD: Cornelia	
C7	I/O			SHEET		CHKD: Mark	
C8	Reserved			REV.		DR: Michael	
THESE DRAWINGS AND SPECIFICATION ARE Welink ShenZhen Welink Electronics Co.,Ltd COPIED OR USED IN ANY MANNER WITHOUT Welink ShenZhen Welink Electronics Co.,Ltd				1:1		1/3	
				A1			

RoHS

REV.	EC#	DESCRIPTION	DATE	DRAWING	CHECKED	APPROVED
A0		NEW RELEASE	2018.08.12	Michael	Mark	Cornelia

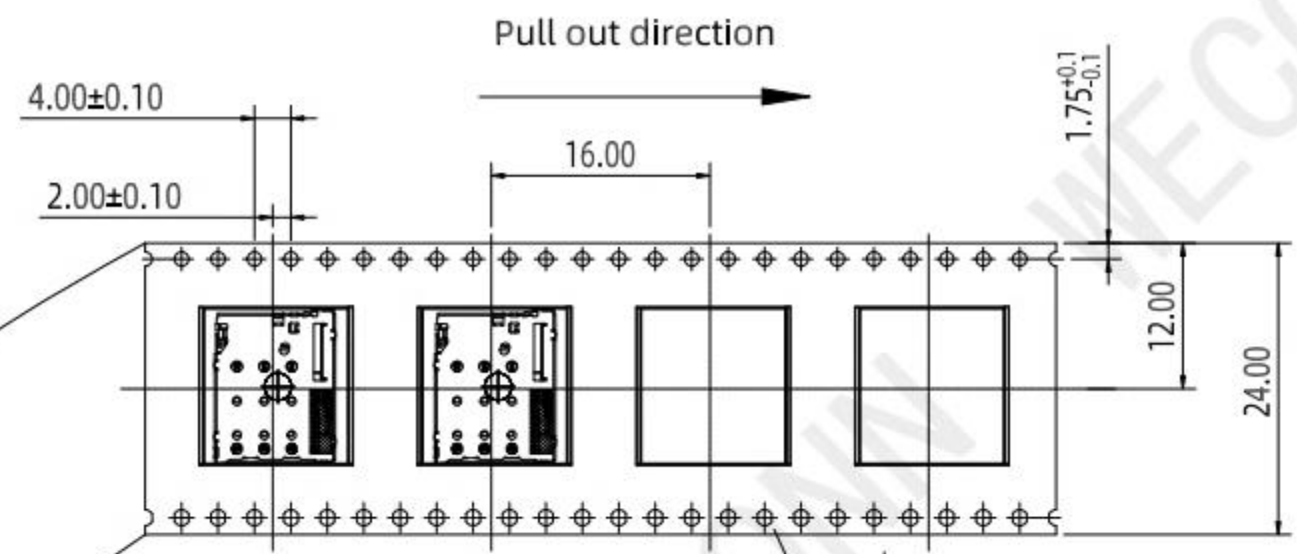


NO PATTERN AND VIA HOLE IN HTIS AREA
 SMT SOLDER AREA

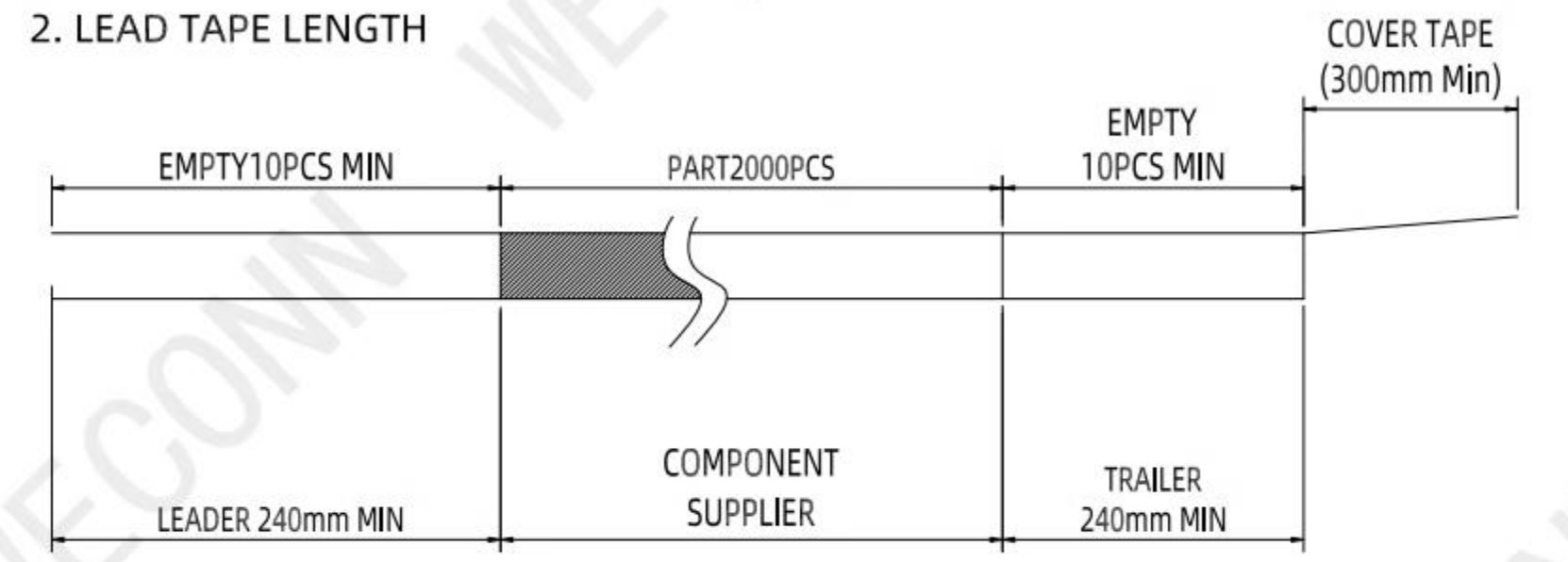
MILLIMETERS	INCH	UNITS	WECONN® 深圳市微连电子有限公司 ShenZhen Welink Electronics Co.,Ltd			
X.° ± 2°	X.° ± 2°	MM	PART NUMBER: WL-SIM125-112		TITLE: NANO SIM卡座 抽屉式 6P 带托盘	
.X ±0.30	.XX ±0.012	MAT'L SEE NOTES	DWG NO. : WL-SIM125-112		APPD: Cornelia	
.XX ±0.20	.XXX ±0.008	FINISH SEE NOTES	SCALE	SHEET	REV.	
.XXX ± 0.10	.XXXX ±0.004	QTY SEE NOTES	1:1	2/3	A1	
THESE DRAWINGS AND PECIFICATION ARE Welink ShenZhen Welink Electronics Co.,Ltd COPIED OR USED IN ANY MANNER WITHOUT Welink ShenZhen Welink Electronics Co.,Ltd			DR:	Michael		

RoHS

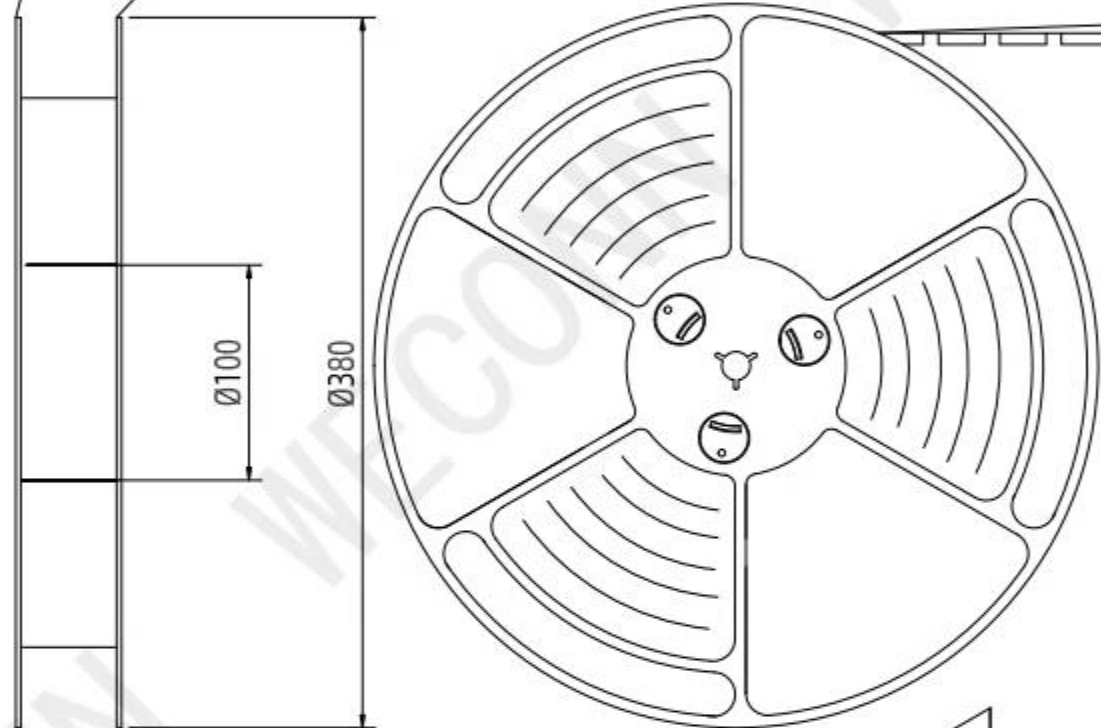
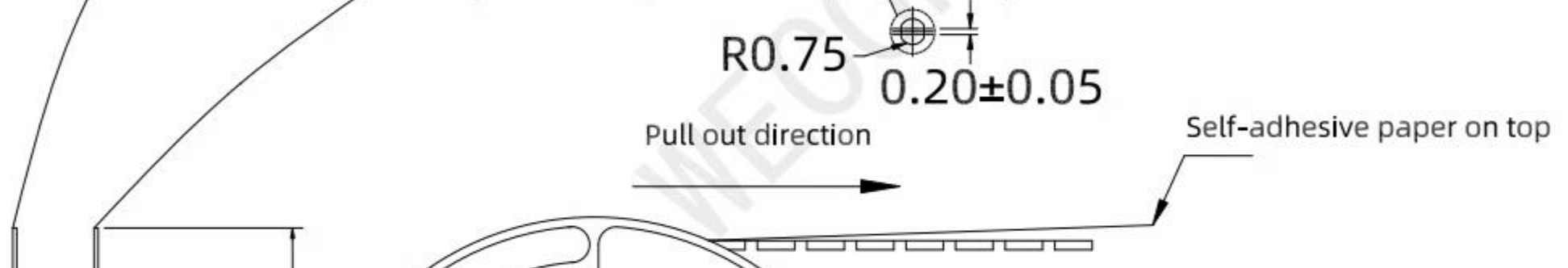
REV.	EC#	DESCRIPTION	DATE	DRAWING	CHECKED	APPROVED
A0		NEW RELEASE	2018.08.12	Michael	Mark	Cornelia



- NOTES
1. NUMBER OF CONNECTORS: 2000PCS/REEL
 2. LEAD TAPE LENGTH

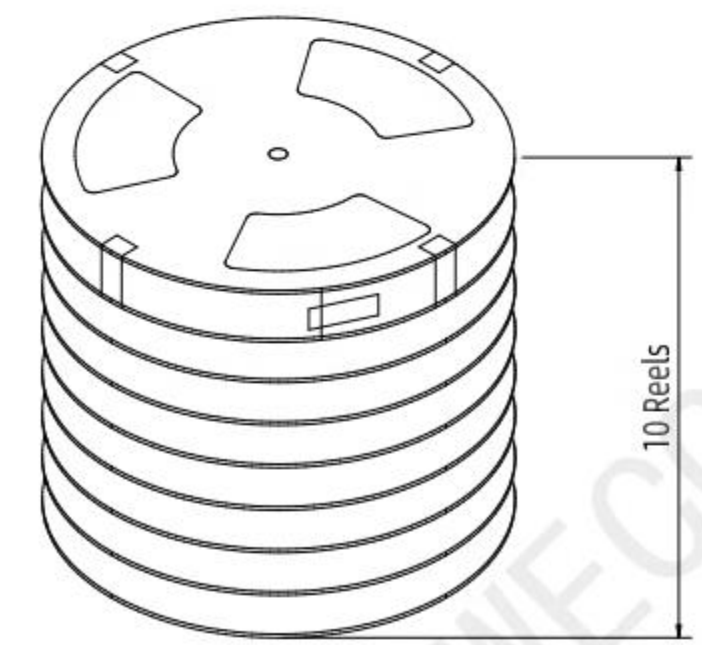
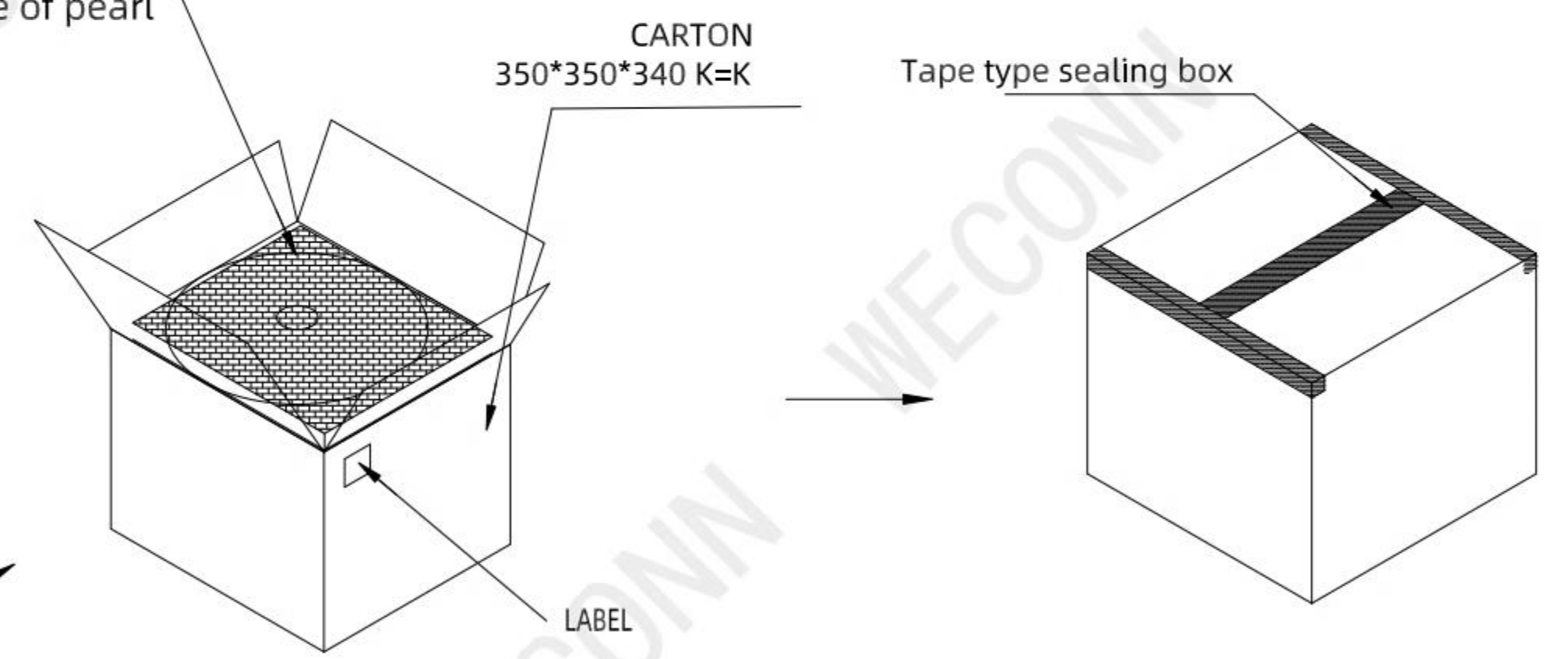


3. QUANTITY: 20000PCS/CARTON



Each top of the bottom of the carton is protected by a piece of pearl cotton

4-TRIANGLE PARTITION
95*95*290 K3K



10 rolls per carton

MILLIMETERS	INCH	UNITS	WECONN® 深圳市微连电子有限公司 ShenZhen Welink Electronics Co.,Ltd			
X.° ± 2°	X.° ± 2°	MM	PART NUMBER: WL-SIM125-112		TITLE: NANO SIM卡座 抽屉式 6P 带托盘	
.X ± 0.30	.XX ± 0.012	MAT'L SEE NOTES	DWG NO. : WL-SIM125-112		APPD: Cornelia	
.XX ± 0.20	.XXX ± 0.008	FINISH SEE NOTES	SCALE: 1:1	SHEET: 3/3	CHKD: Mark	
.XXX ± 0.10	.XXXX ± 0.004	QTY SEE NOTES		REV: A1	DR: Michael	
THESE DRAWINGS AND PECIFICATION ARE Welink ShenZhen Welink Electronics Co.,Ltd COPIED OR USED IN ANY MANNER WITHOUT Welink ShenZhen Welink Electronics Co.,Ltd						