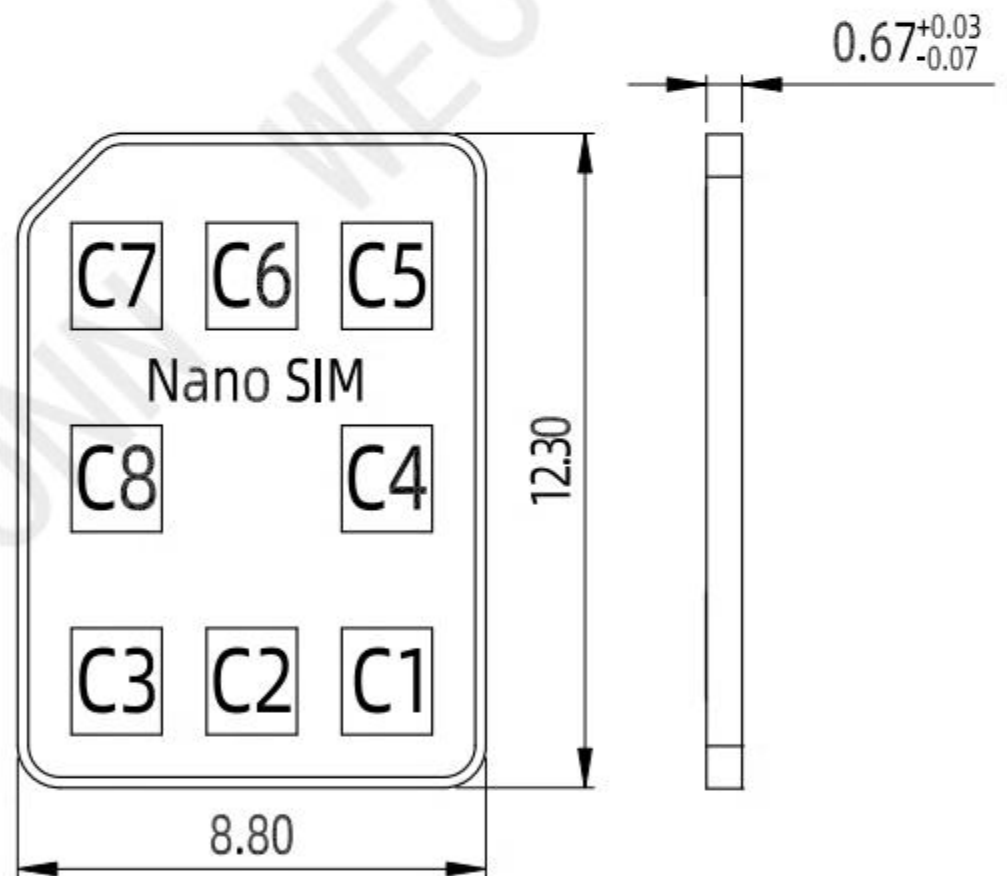
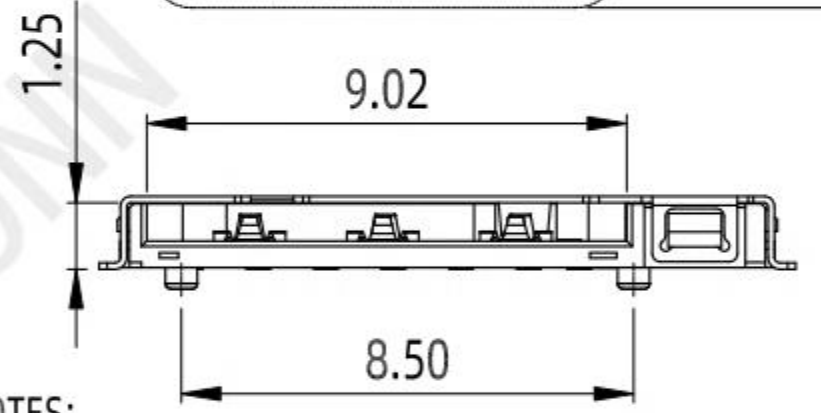
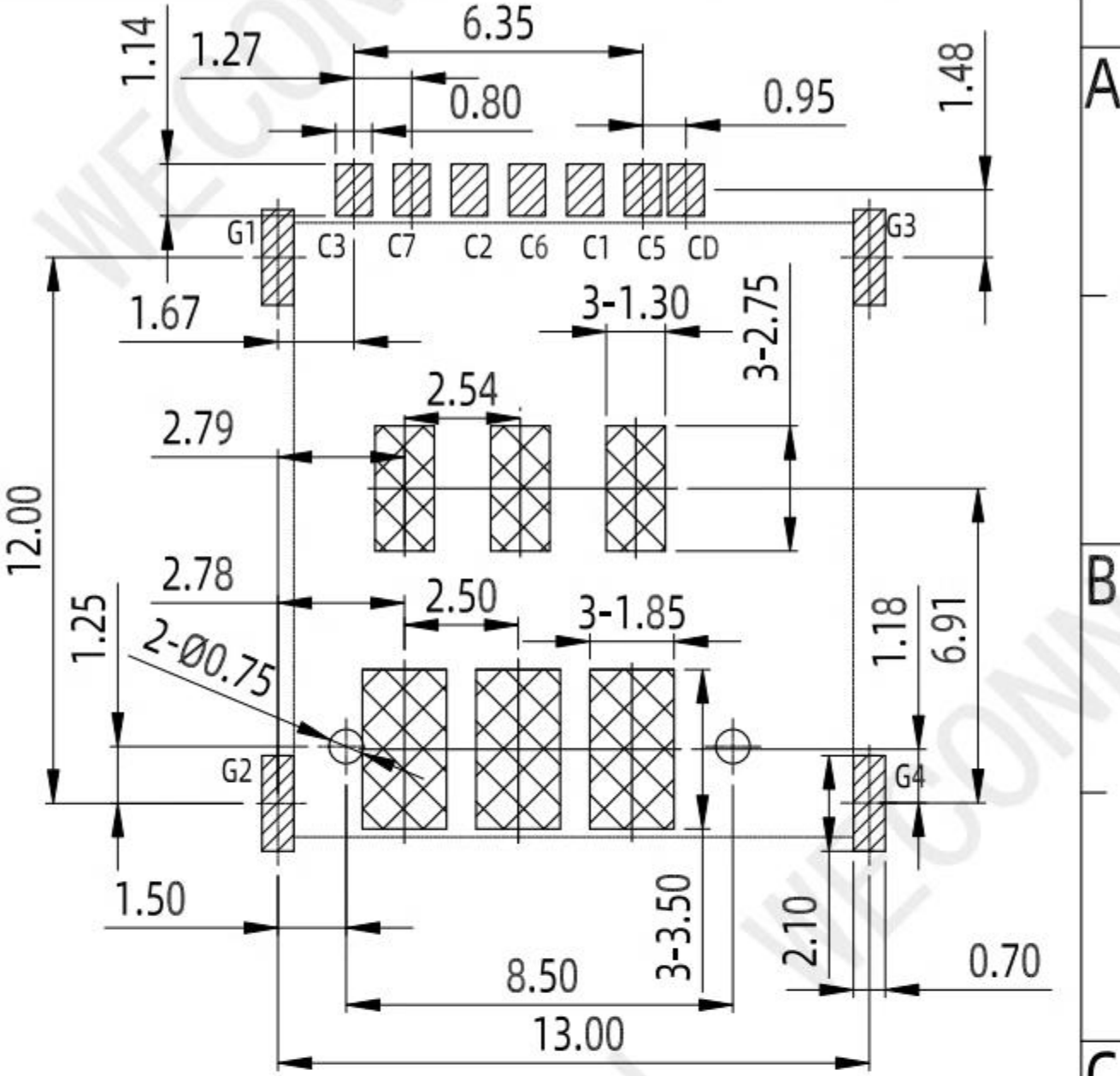
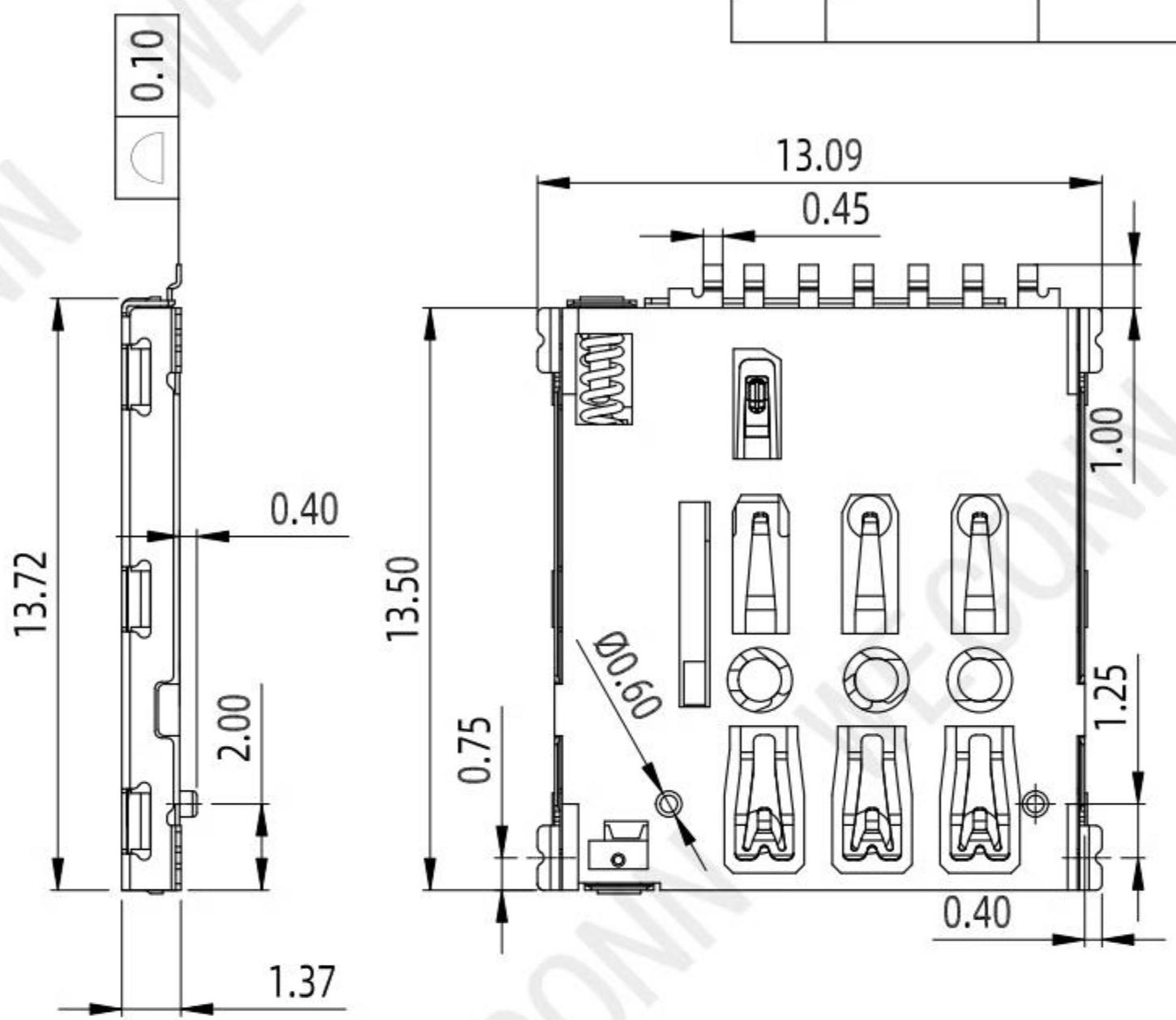
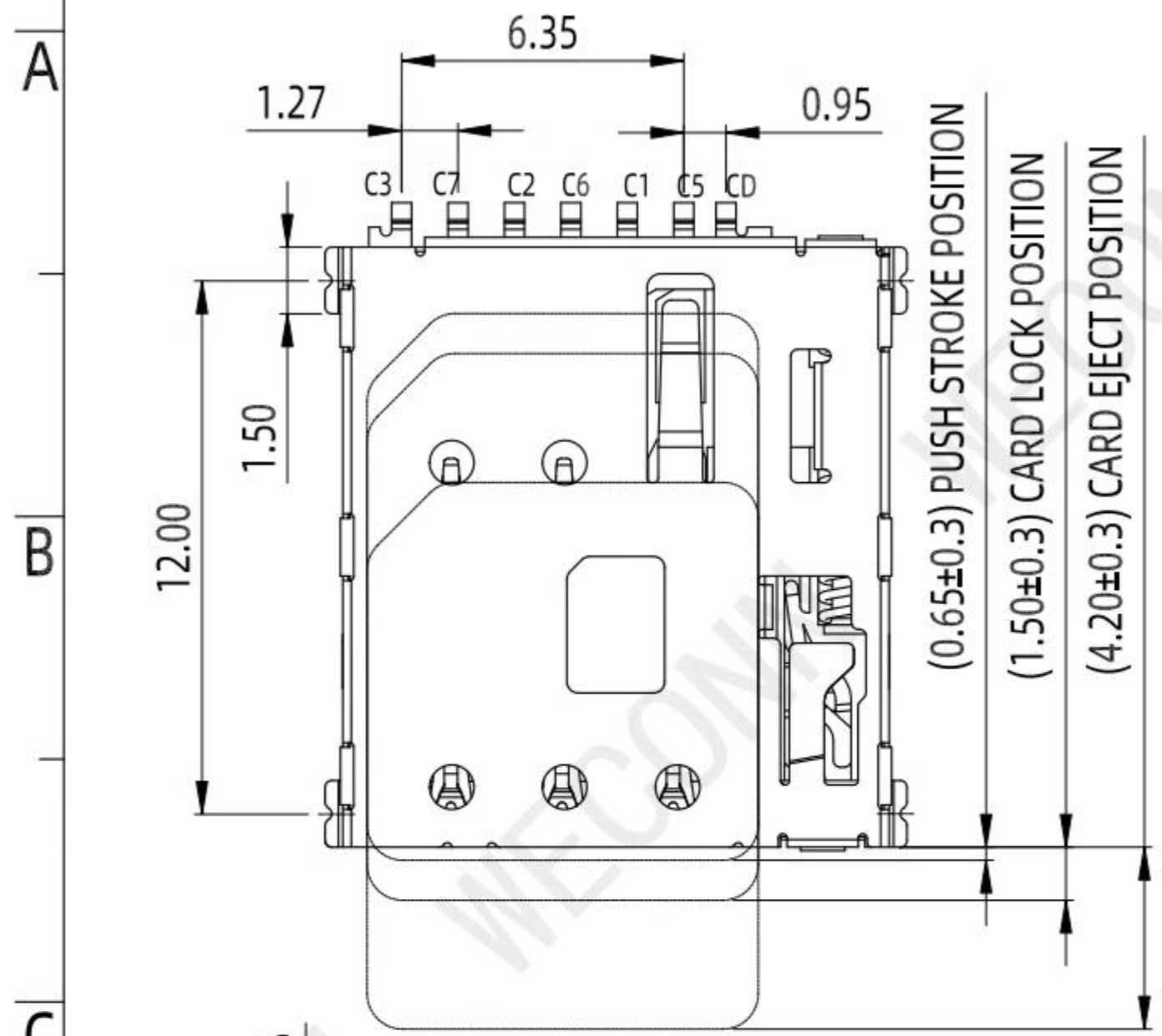


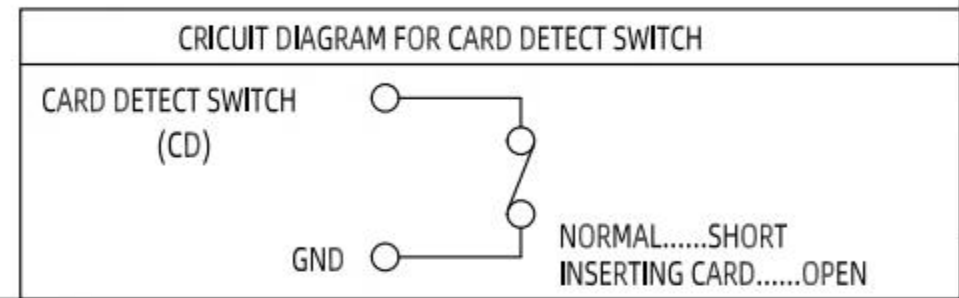
RoHS

REV.	EC#	DESCRIPTION	DATE	DRAWING	CHECKED	APPROVED
A0		NEW RELEASE	2019.04.05	Michael	Mark	Cornelia



RECOMMENDED PCB LAYOUT
GENERAL TOLERANCE ±0.05

G1-GN pin is defined as GND



- NOTES:
- MATERIAL:
 - Housing: High Temperature Thermoplastic UL94V-0; Color Black.
 - Terminal: Copper Alloy.
 - Shell: Stainless Steel.
 - SPECIALITY:
 - Rated current: 1.0A
 - Rated voltage: 50V
 - Contact Resistance: 50mΩ MAX
 - Insulation Resistance: 1000MΩ MIN 500V DC
 - Dielectric withstanding voltage: 500V AC.
 - Solder ability: 255±5°C, 5±0.5s.
 - Durability: 5000 Cycles Min.
 - Operating condition: Temperature -40°C ~ +85°C; Humidity 80% R.H MAX

PLEASE CONTACT WELINK SALES REPRESENTATIVE TO VERIFY PRODUCT DETAILS & AVAILABILITY

SIM pin Assignment		MILLIMETERS	INCH	UNITS
PIN#	Name	X. ± 0.2	X.° ± 5°	MM
C1	VCC	.X ± 0.15	.X° ± 2°	MAT'L SEE NOTES
C2	RST	.XX ± 0.1	.XX° ± 1°	FINISH SEE NOTES
C3	CLK	.XXX ± 0.01	.XXX° ± 0.5°	QTY SEE NOTES
C5	GND	THESE DRAWINGS AND SPECIFICATION ARE Welink Shenzhen Welink Electronics Co.,Ltd COPIED OR USED IN ANY MANNER WITHOUT Welink Shenzhen Welink Electronics Co.,Ltd		
C6	VPP			
C7	I/O			

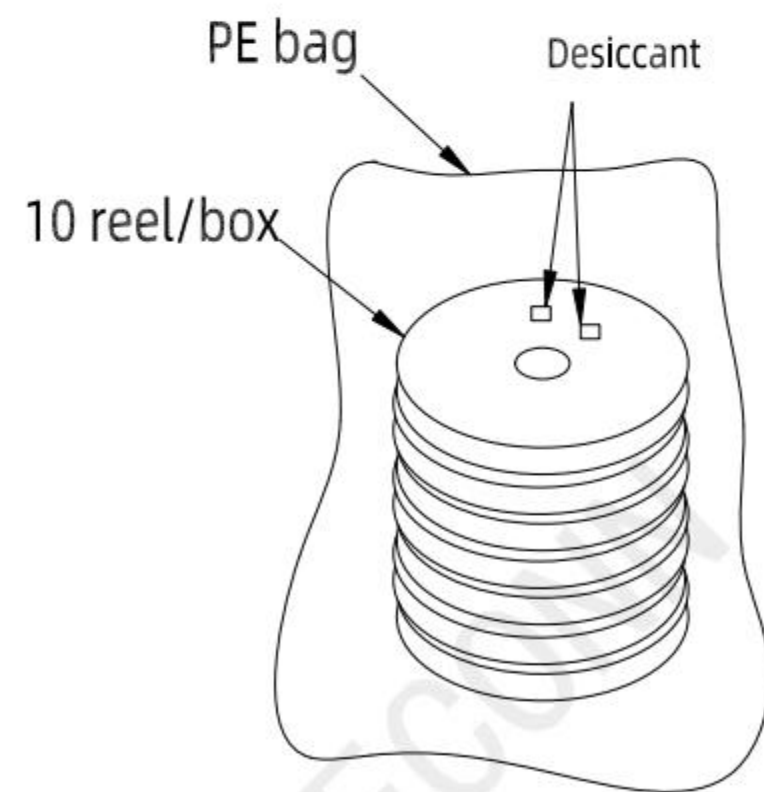
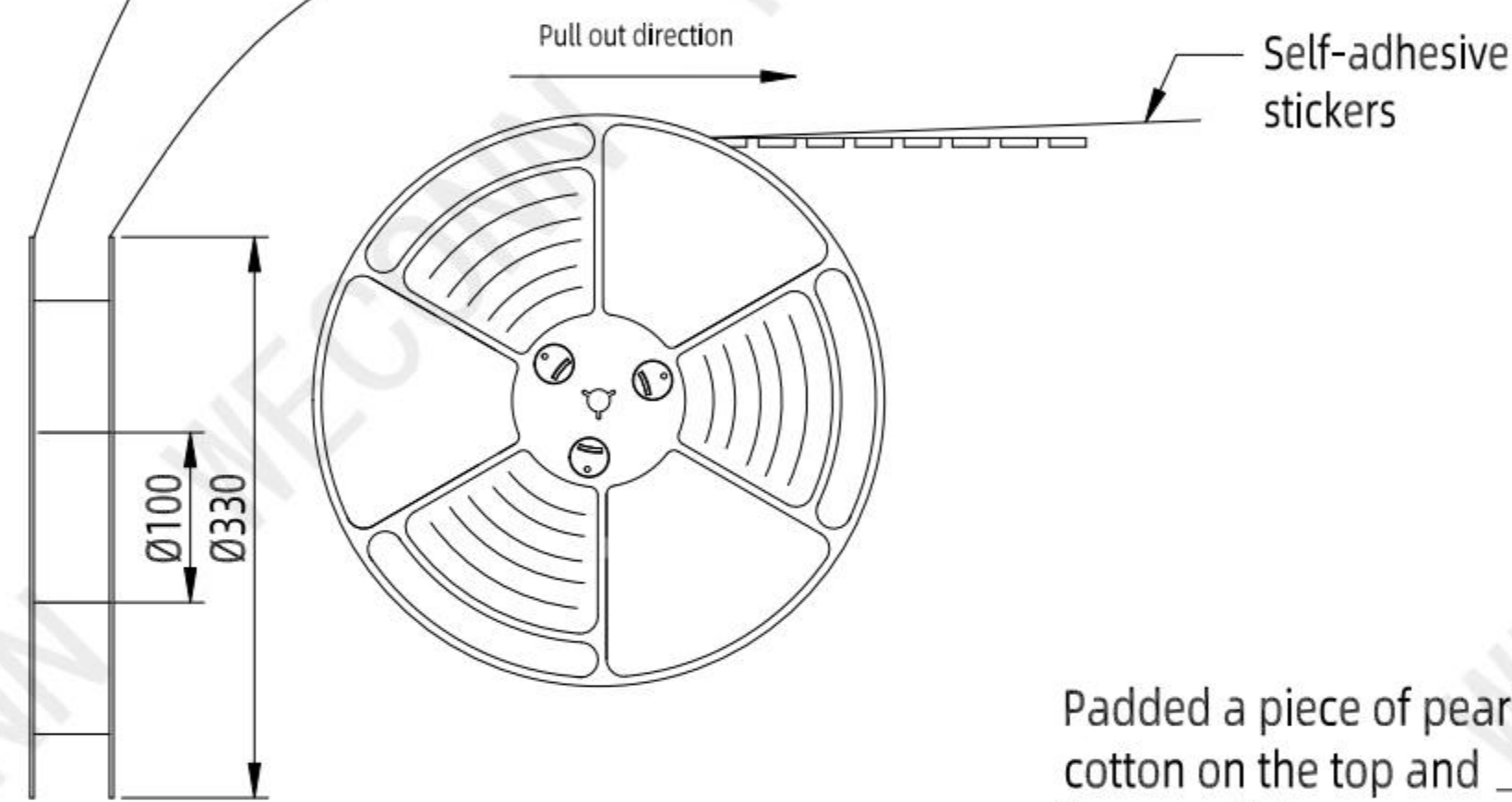
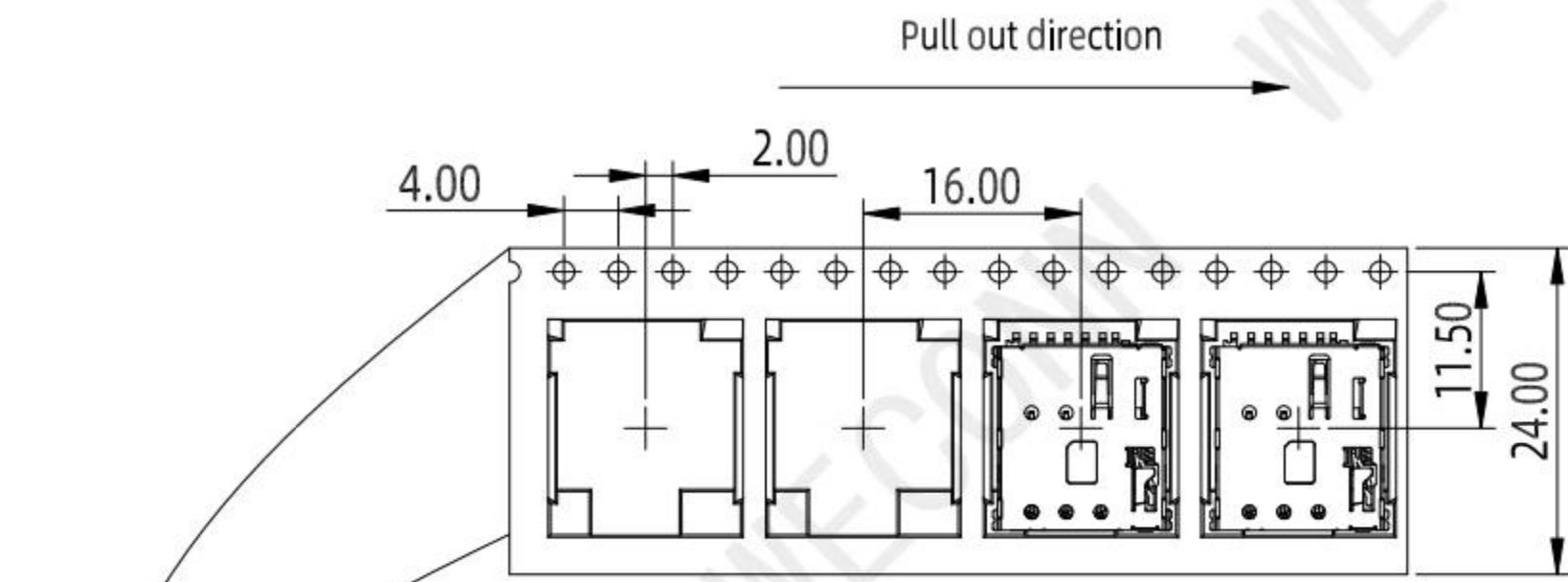
WECONN 深圳市微连电子有限公司
ShenZhen Welink Electronics Co.,Ltd

PART NUMBER: WL-SIM137-115
TITLE: NANO SIM卡座 自弹式 7P 带检测脚

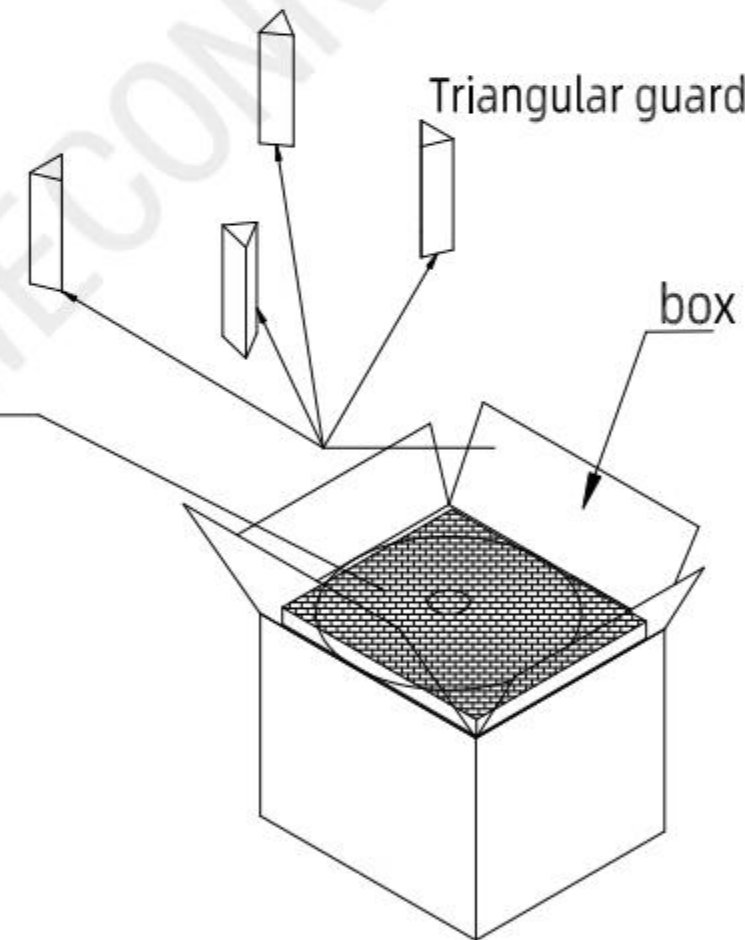
DWG NO.: WL-SIM137-115
APPD: Cornelia
SCALE: 1:1 SHEET: 1/2 REV.: A1
CHKD: Mark
DR: Michael

RoHS

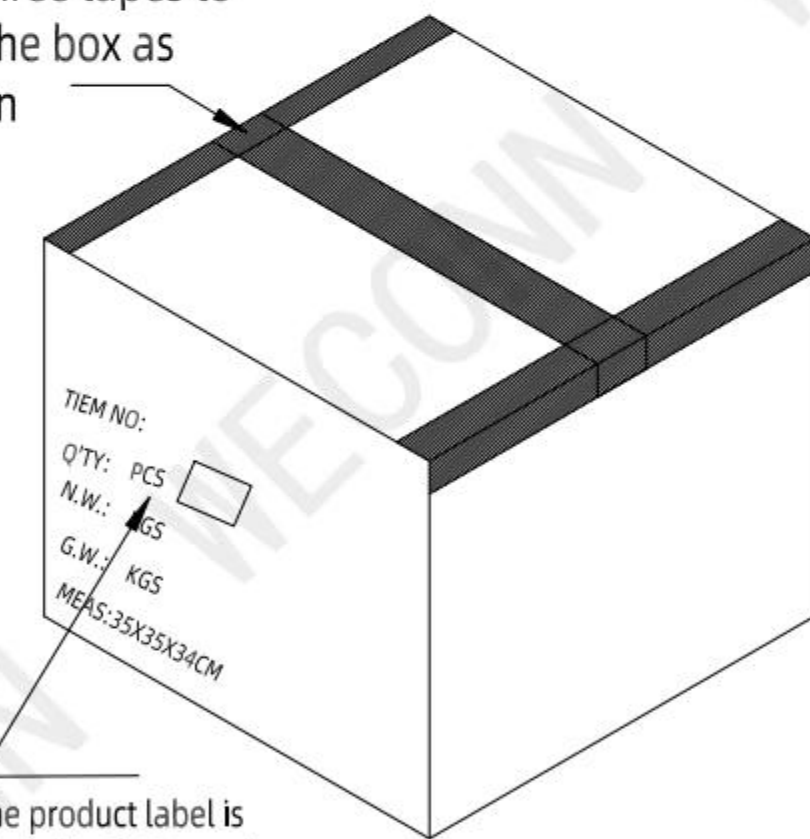
REV.	EC#	DESCRIPTION	DATE	DRAWING	CHECKED	APPROVED
A0		NEW RELEASE	2019.04.05	Michael	Mark	Cornelia



Padded a piece of pearl cotton on the top and bottom of the carton



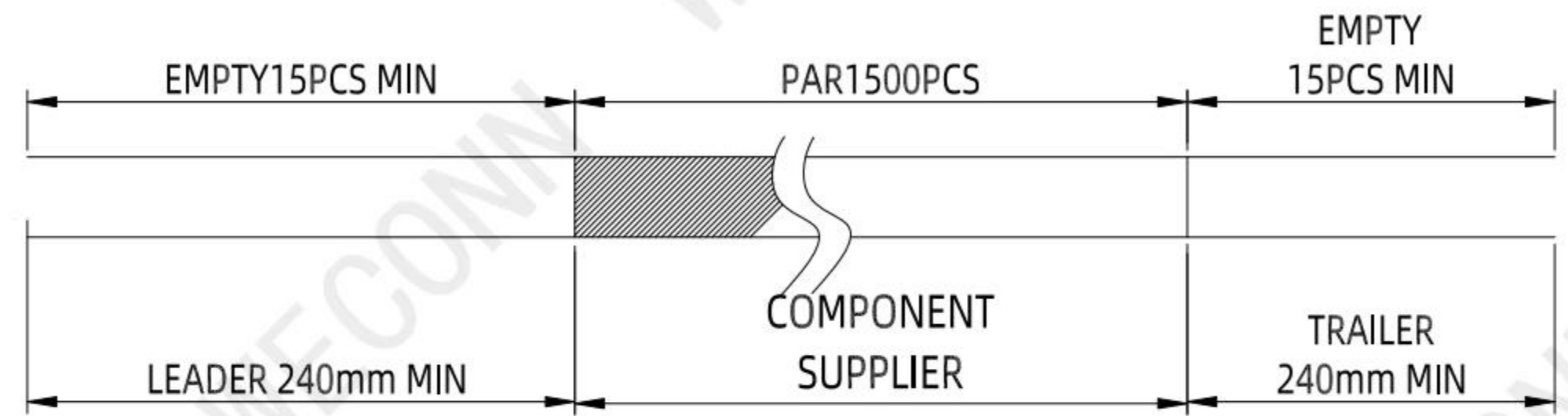
Use three tapes to seal the box as shown



The product label is placed in Q' TY: and pcs the middle

NOTES

1. NUMBER OF CONNECTORS 1500PCS/REEL
2. LEAD TAPE LENGTH



3. QUANTITY: 15000PCS/CARTON

MILLIMETERS	INCH	UNITS
X. ± 0.2	X.° ± 5°	MM
.X ± 0.15	.X° ± 2°	MAT'L SEE NOTES
.XX ± 0.1	.XX° ± 1°	FINISH SEE NOTES
.XXX ± 0.01	.XXX° ± 0.5°	QTY SEE NOTES

THESE DRAWINGS AND SPECIFICATION ARE Welink ShenZhen Welink Electronics Co.,Ltd COPIED OR USED IN ANY MANNER WITHOUT Welink ShenZhen Welink Electronics Co.,Ltd

WECONN 深圳市微连电子有限公司
ShenZhen Welink Electronics Co.,Ltd

PART NUMBER: WL-SIM137-115		TITLE: NANO SIM卡座 自弹式 7P 带检测脚	
DWG NO.: WL-SIM137-115		APPD:	Cornelia
SCALE 1:1	SHEET 2/2	CHKD:	Mark
REV. A1		DR:	Michael