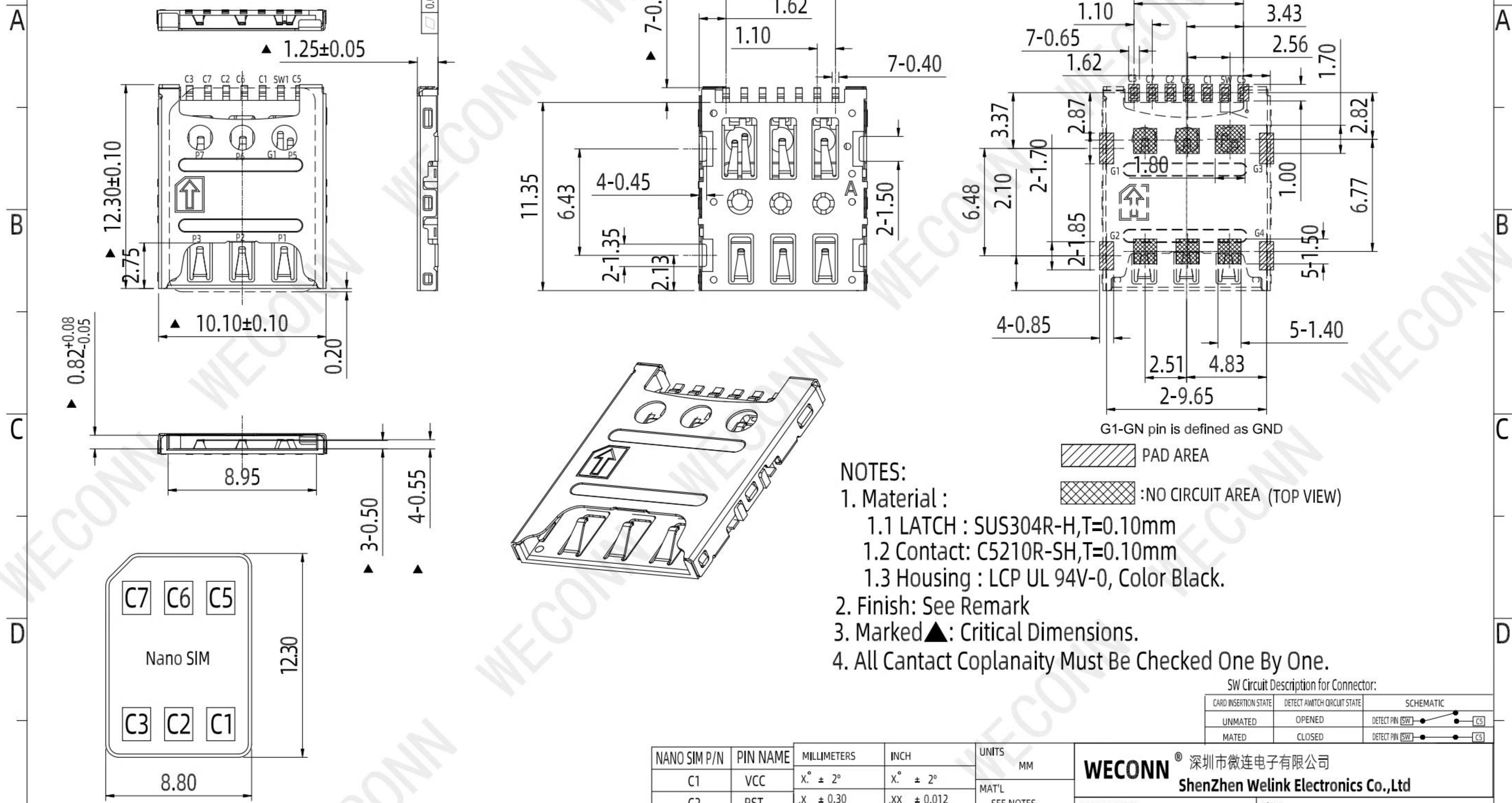
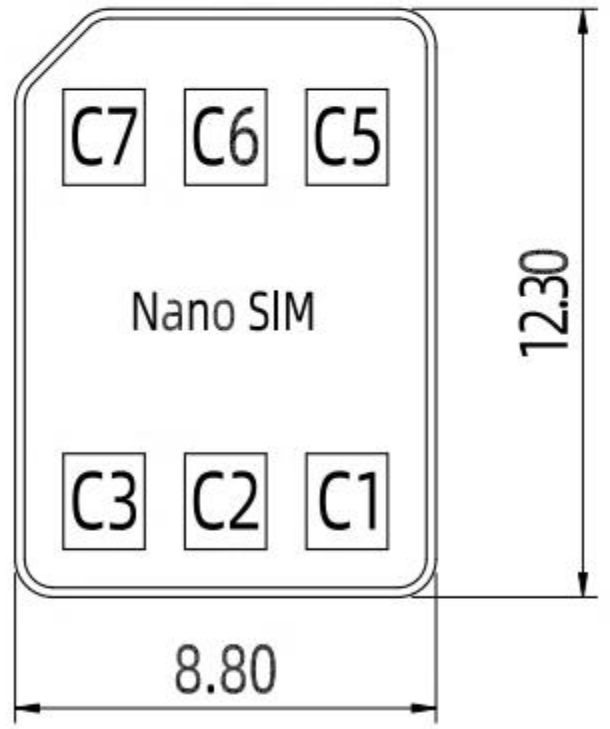
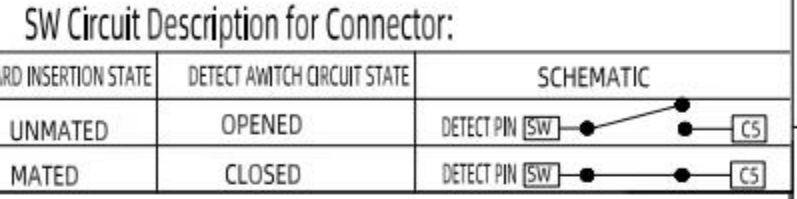


RoHS

REV.	EC#	DESCRIPTION	DATE	DRAWING	CHECKED	APPROVED
A0		NEW RELEASE	2019.09.03	Michael	Mark	Cornelia



- NOTES:
- Material :
 - 1.1 LATCH : SUS304R-H,T=0.10mm
 - 1.2 Contact: C5210R-SH,T=0.10mm
 - 1.3 Housing : LCP UL 94V-0, Color Black.
 - Finish: See Remark
 - Marked▲: Critical Dimensions.
 - All Contact Coplanarity Must Be Checked One By One.



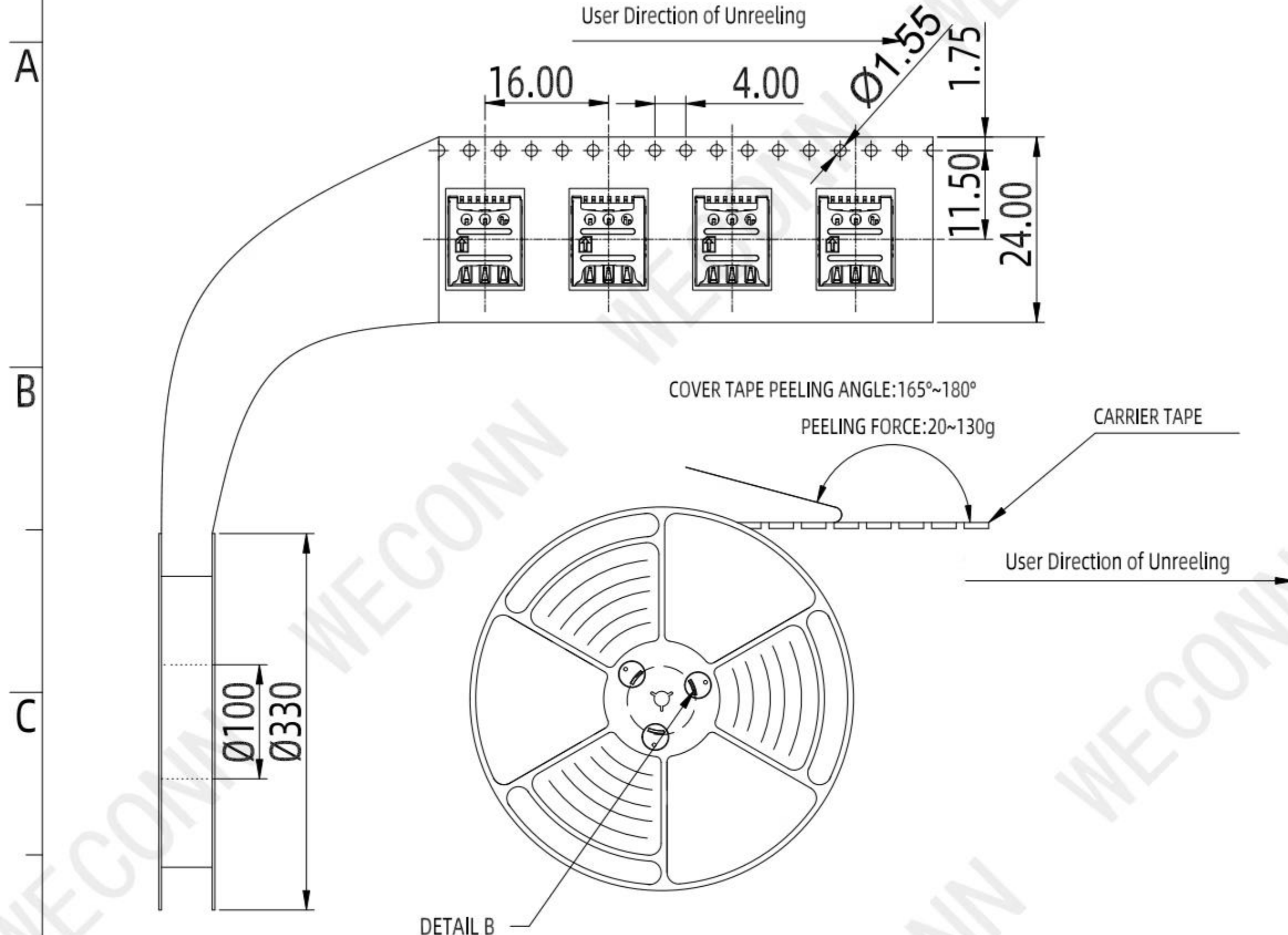
PLEASE CONTACT WELINK SALES REPRESENTATIVE TO VERIFY PRODUCT DETAILS & AVAILABILITY

NANO SIM P/N	PIN NAME	MILLIMETERS	INCH	UNITS
C1	VCC	X° ± 2°	X° ± 2°	MM
C2	RST	.X ± 0.30	.XX ± 0.012	MAT'L SEE NOTES
C3	CLK	.XX ± 0.20	.XXX ± 0.008	FINISH SEE NOTES
C5	GND	.XXX± 0.10	.XXXX± 0.004	QTY SEE NOTES
C6	VPP	THESE DRAWINGS AND SPECIFICATION ARE Welink ShenZhen Welink Electronics Co.,Ltd COPIED OR USED IN ANY MANNER WITHOUT Welink ShenZhen Welink Electronics Co.,Ltd		
C7	I/O			
SW	SWITCH			

WECONN 深圳市微连电子有限公司 ShenZhen Welink Electronics Co.,Ltd			
PART NUMBER: WL-SIM125-133		TITLE: NANO SIM 卡座 插拔式 7P 带检测脚	
DWG NO.: WL-SIM125-133		APPD:	Cornelia
SCALE	SHEET	CHKD:	Mark
1:1	1/2	DR:	Michael
REV.	A1		

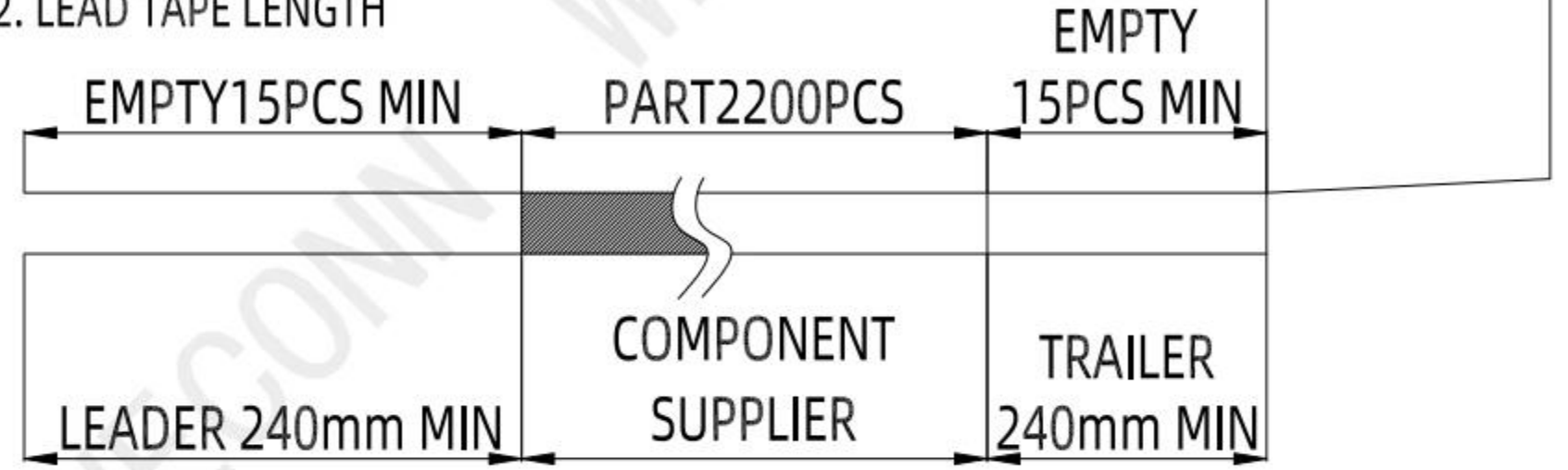
RoHS

REV.	EC#	DESCRIPTION	DATE	DRAWING	CHECKED	APPROVED
A0		NEW RELEASE	2019.09.03	Michael	Mark	Cornelia

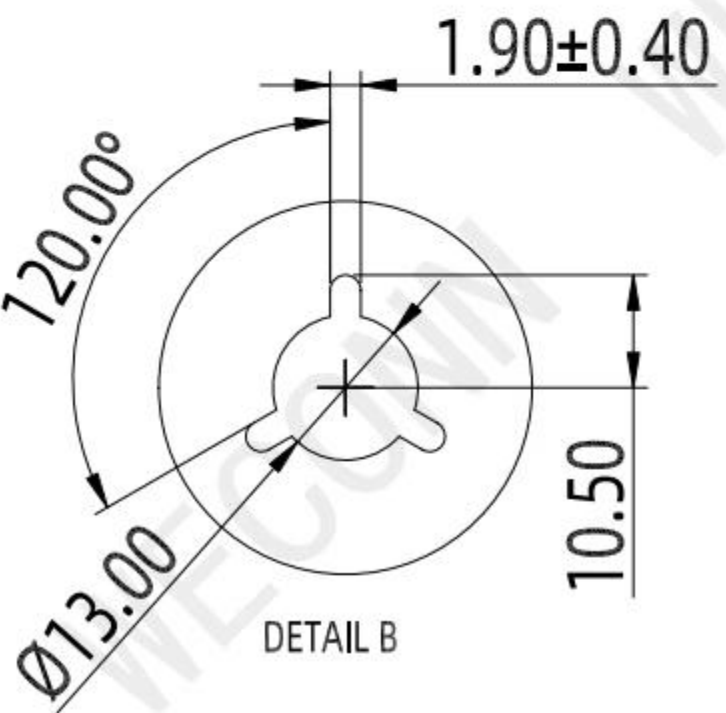
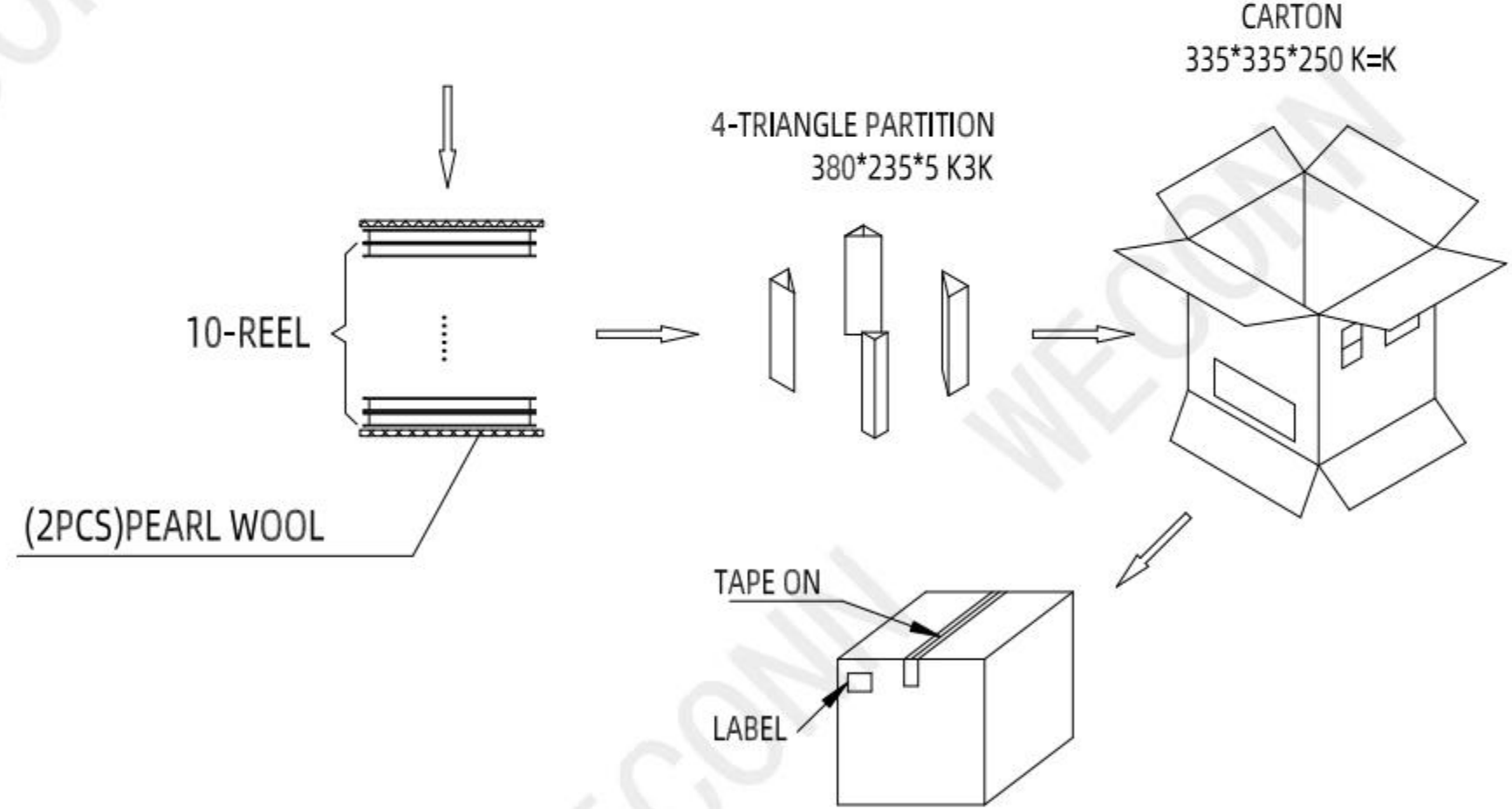


NOTES

- 1. NUMBER OF CONNECTORS: 2200PCS/REEL
- 2. LEAD TAPE LENGTH



3. QUANTITY: 22000PCS/CARTON



MILLIMETERS	INCH	UNITS	WECONN® 深圳市微连电子有限公司 ShenZhen Welink Electronics Co.,Ltd			
X.° ± 2°	X.° ± 2°	MM	PART NUMBER: WL-SIM125-133		TITLE: NANO SIM 卡座 插拔式 7P 带检测脚	
.X ± 0.30	.XX ± 0.012	MAT'L SEE NOTES	DWG NO.: WL-SIM125-133		APPD: Cornelia	
.XX ± 0.20	.XXX ± 0.008	FINISH SEE NOTES	SCALE	SHEET	REV.	
.XXX ± 0.10	.XXXX ± 0.004	QTY SEE NOTES	1:1	2/2	A1	
THESE DRAWINGS AND SPECIFICATION ARE Welink ShenZhen Welink Electronics Co.,Ltd COPIED OR USED IN ANY MANNER WITHOUT Welink ShenZhen Welink Electronics Co.,Ltd			CHKD: Mark			
			DR: Michael			