

RoHS

www.szwelink.com

| REV. | EC# | DESCRIPTION | DATE | DRAWING | CHECKED | APPROVED |
|------|-----|-------------|------------|---------|---------|----------|
| A0 | | NEW RELEASE | 2019.08.21 | Michael | Mark | Cornelia |

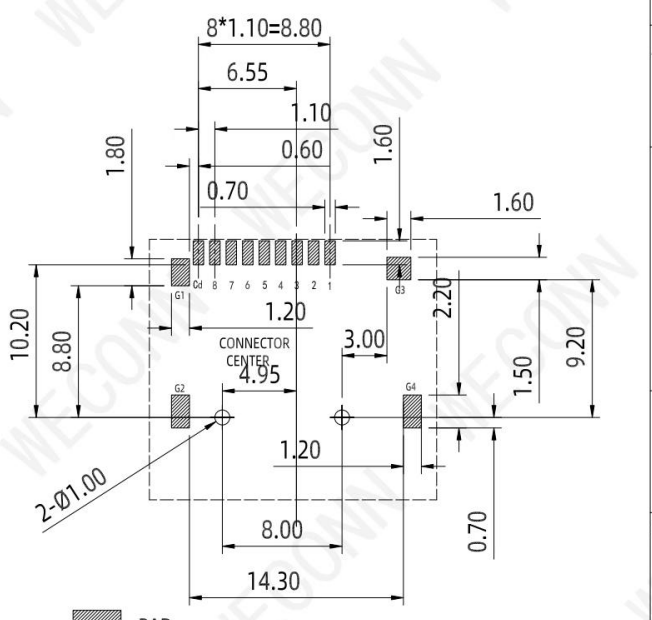
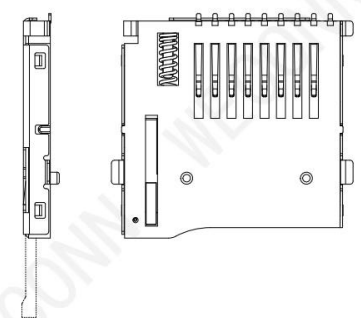
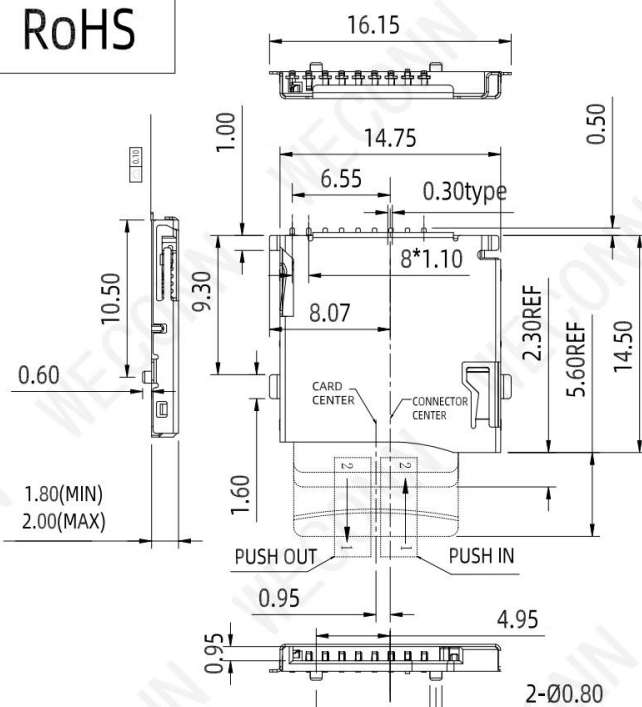
A

B

C

D

E

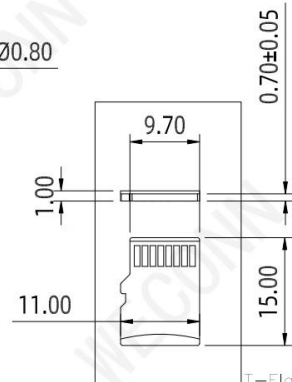


PAD
RECOMMENDED P.C.B HOLE LAYOUT
COMPONENT SIDE VIEW(TOLERANCE: +/-0.05)

G1-GN pin is defined as GND

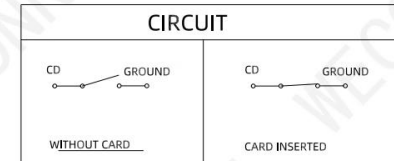
NOTES:
ELECTRICAL CHARACTERISTICS
CONTACT CURRENT RATING:0.5A
DIELECTRIC WITHSTANDING VOLTAGE:AC 500V
INSULATION RESISTANCE:500MΩ MIN
CONTACT RESISTANCE:100mΩ MAX
ENVIRONMENTAL
TEMPERATURE RANGE: -25°C TO +85°C
MECHANICAL CHARACTERISTICS
MATING CYCLES:5000 INSERTIONS
INSERTION/OUT FORCE:0.1-4.0KGF
MATERIAL
INSULATOR: HIGH TEMPERATURE PLASTIC UL94V-0
COLOR:BLACK
CONTACT: COPPER ALLOY
SHELL: STAINLESS
SPRING:SWP
PLATING:
CONTACT
UNDERPLATE: NICKEL 40u".
CONTACT AREA: GOLD FLASH OVER NICKEL 40u" .
SOLDER AREA: TIN 80u" MIN OVER NICKEL 40u" .
SHELL:PLATE 30u"NICKEL MIN OVER ALL

PLEASE CONTACT WELINK SALES REPRESENTATIVE
TO VERIFY PRODUCT DETAILS & AVAILABILITY



| PIN NO. | NAME | YTYPE | DESCRIPTION |
|---------|---------|--------|----------------------------|
| 1 | DAT2 | I/O/PP | DATE LINE(BIT2) |
| 2 | CD/DAT3 | I/O/PP | CARD DETECT DATE LIN(BIT3) |
| 3 | CMD | PP | COMMAND RESPONSE |
| 4 | VDD | S | SUPPLY VOLTAGE |
| 5 | CLX | I | CLOCK |
| 6 | VSS | S | SUPPLY VOLTAGE GROUND |
| 7 | DATO | I/O/PP | DATE LINE(BIT0) |
| 8 | DAT1 | I/O/PP | DATE LINE(DIT1) |

| MILLIMETERS | INCH | UNITS |
|-------------|---------------|---------------------|
| X° ± 2° | X° ± 2° | MM |
| .X ± 0.30 | .XX ± 0.012 | MAT'L SEE NOTES |
| .XX ± 0.20 | .XXX ± 0.008 | FINISH SEE NOTES |
| .XXX ± 0.10 | .XXXX ± 0.004 | QTY SEE NOTES |



| | |
|------------|------|
| T-F铁壳 | 1PC |
| T-F线簧 | 1PC |
| T-F弹簧 | 1PC |
| T-F 9PIN端子 | 1SET |
| T-F滑块 | 1PC |
| T-F主体胶芯 | 1PC |
| 规格 | 数量 |

WECONN® 深圳市微连电子有限公司
ShenZhen Welink Electronics Co.,Ltd

| | |
|------------------------------|--------------------------|
| PART NUMBER: WL-TF185-011 | TITLE: TF卡座 自弹式 TF A款 |
| DWG NO.: WL-TF185-011 | APPD: Cornelia |
| SCALE: 1:1 | CHKD: Mark |
| SHEET: 1/2 | DR: Michael |
| REV.: A1 | |

1 www.weconn.net 2

3

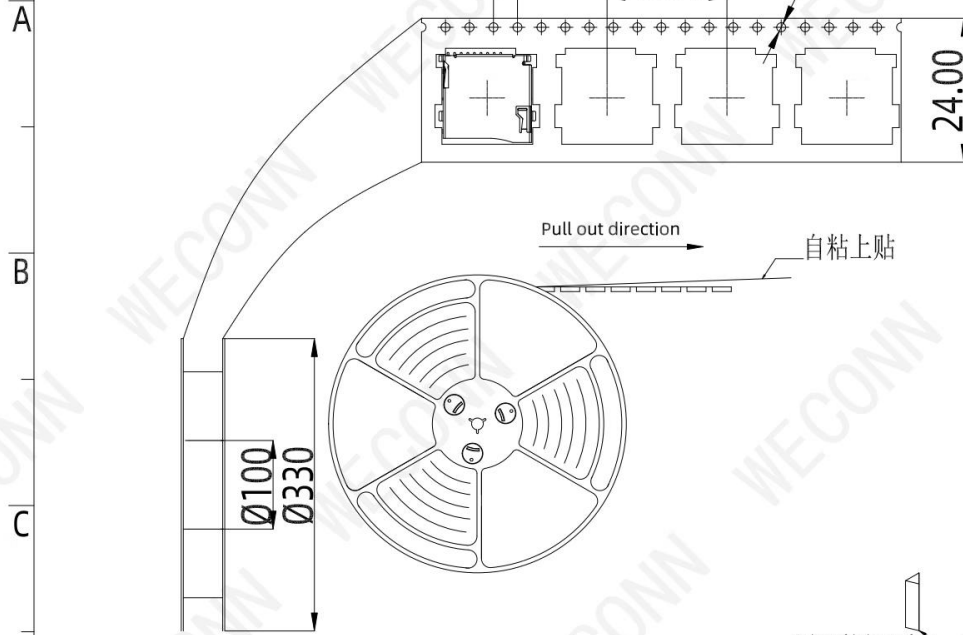
4

5

RoHS

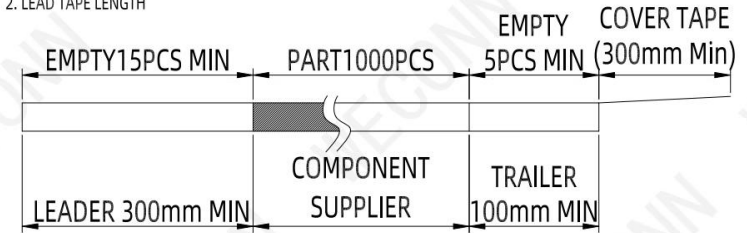
www.weconn.net

| REV. | EC# | DESCRIPTION | DATE | DRAWING | CHECKED | APPROVED |
|------|-----|-------------|------------|---------|---------|----------|
| A0 | | NEW RELEASE | 2019.08.21 | Michael | Mark | Cornelia |



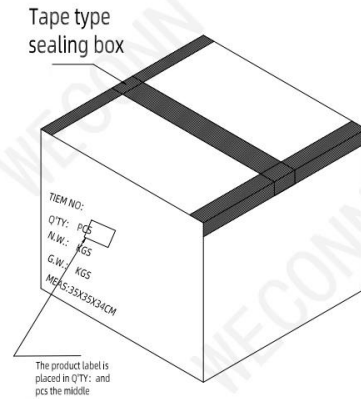
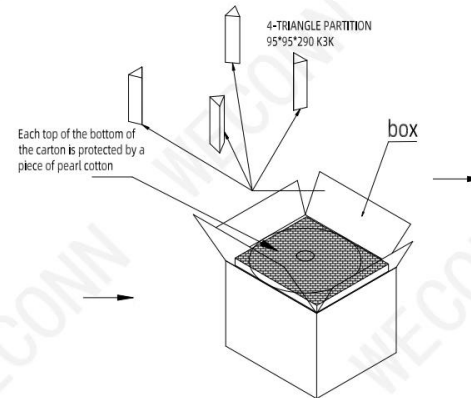
NOTES

1. NUMBER OF CONNECT ORS: 1000 PCS/REEL
2. LEAD TAPE LENGTH



3. QUANTITY: 10000PCS/CARTON

4. Carton Size: 340*340*310cm



| MILLIMETERS | INCH | UNITS | WECONN® 深圳市微连电子有限公司 ShenZhen Welink Electronics Co.,Ltd | | | |
|-----------------------------------------------------------------------------------------------------------------------------------------------------------------------|----------------------------------|---------------------|------------------------------------------------------------|-------|--------------------------|--|
| X. ^o ± 2 ^o | X. ^o ± 2 ^o | MM | PART NUMBER: WL-TF185-011 | | TITLE: TF卡座 自弹式 TF A款 | |
| .X ± 0.30 | .XX ± 0.012 | MAT'L SEE NOTES | DWG NO.: WL-TF185-011 | | APPD: Cornelia | |
| .XX ± 0.20 | .XXX ± 0.008 | FINISH SEE NOTES | SCALE: 1:1 | | CHKD: Mark | |
| .XXX ± 0.10 | .XXXX ± 0.004 | QTY SEE NOTES | SHEET: 2/2 | REV.: | DR: Michael | |
| THESE DRAWINGS AND PEFICATION ARE WECONN ShenZhen Welink Electronics Co.,Ltd COPIED OR USED IN ANY MANNER WITHOUT Welink ShenZhen Welink Electronics Co.,Ltd | | | | | | |

www.szwelink.com